



WALKER

Illustrated Parts Manual

S18



Beginning S/N: 148901
P/N 5000-40

KEY TO ABBREVIATIONS USED IN THIS MANUAL

<i>Abbreviation</i>	<i>What it Represents</i>
° (Dimension)	Degrees (Angle)
" (Dimension)	inches
(-)	Negative (Polarity)
(+)	Positive (Polarity)
AT	All-Terrain
CCW	Counter-clockwise
Conn	Connector
CW	Clockwise
D	Diameter
DC	Deck, Collection (number refers to size in inches)
DM	Deck, Mulching (number refers to size in inches)
DR	Deck, Rear Discharge (number refers to size in inches)
DS	Deck, Side Discharge (number refers to size in inches)
DU	Garlock (Bearing)
ESNA (Fastener)	Nylon Insert Locknut
FSC	Forward Speed Control
GA	Gauge
gal	gallon
GHS	Grass Handling System
GR (Fastener)	Grade
HD	Heavy Duty
HP	Horse Power
ID	Identification or Inside Diameter
L	Length
LH	Left Hand (orientated with operator on seat)
LP	Low Profile
mm (Dimension)	millimeters
MS (Fastener)	Machine Screw
NS (as part number)	Item is not sold by Walker Manufacturing
OD	Outside Diameter
oz	ounce
PFH (Fastener)	Phillips Flat Head
P/N	Part Number
PPH (Fastener)	Phillips Pan Head
PTH (Fastener)	Phillips Truss Head
PTO	Power Take-Off
QKS	Quick Slide
qt	quart
RH	Right Hand (orientated with operator on seat)
SAE (Fastener)	Society of Automotive Engineers
SBH (Fastener)	Socket Button Head (Bolt)
SD	Side Discharge
SFH (Fastener)	Slotted Flat Head
SHC (Fastener)	Socket Head Cap
SHL (Fastener)	Shoulder (Bolt)
SM (Fastener)	Sheet Metal (Screw)
S/N	Serial Number
Spg	Spring
SQH (Fastener)	Square Head
SS (Fastener)	Stainless Steel
ST (Fastener)	Self-Tapping (Screw)
Term	Terminal
V	Volts

NOTE: In some instances, combinations of abbreviations may be used (e.g. PPHMS - Phillips Pan Head Machine Screw).

ILLUSTRATED PARTS LIST

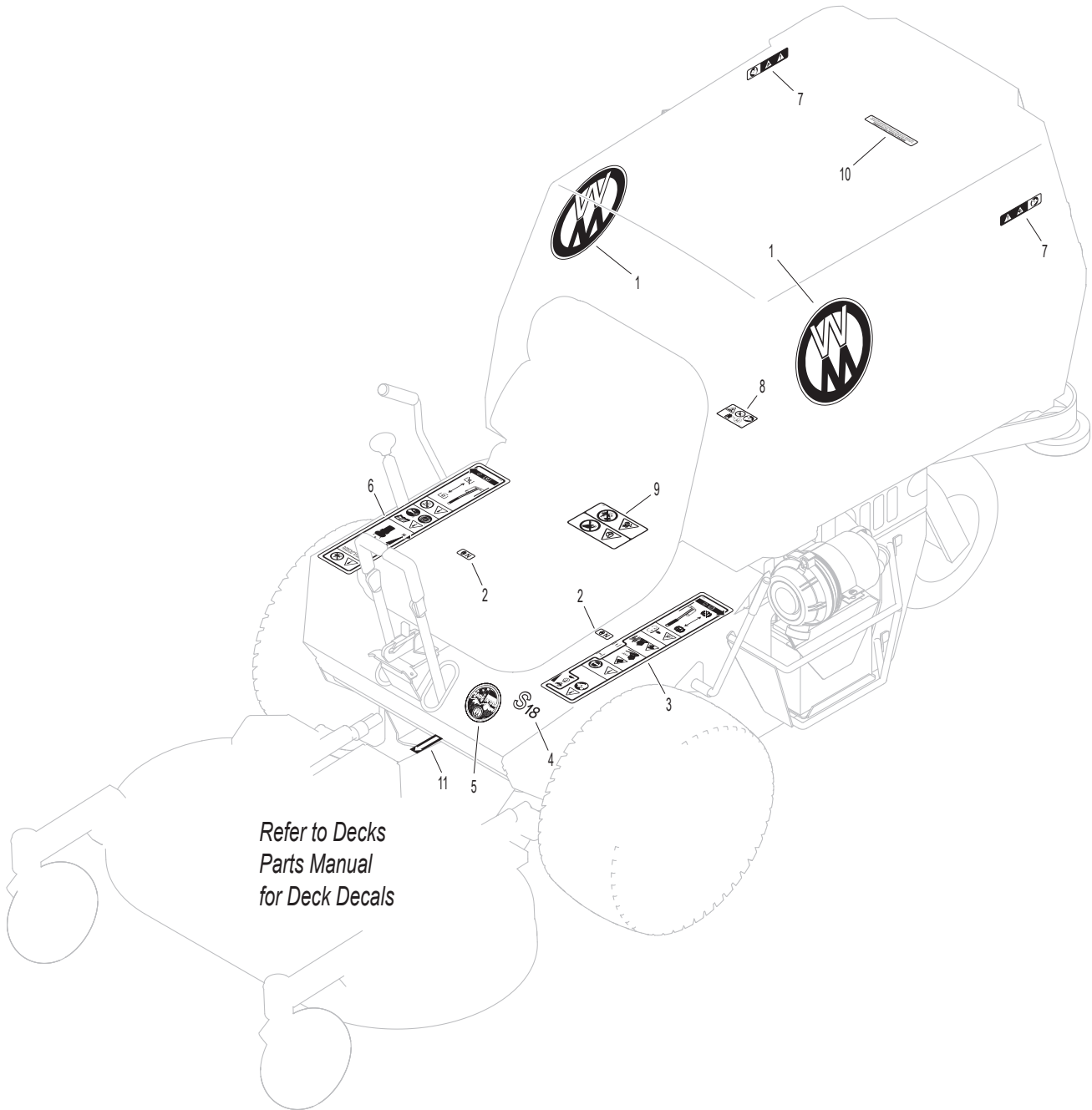
<i>Section of Tractor Covered</i>	<i>Page</i>	<i>Section of Tractor Covered</i>	<i>Page</i>
<hr/>		<hr/>	
Decals		Electrical Components	
Tractor Decals	2	Electrical Assembly	22
Body / Chassis Assemblies		Electrical Assemblies (GHS 7.0 Bushel Components).....	24
Body / Chassis Assembly	4	Electrical Connectors.....	26
Rear Body Assembly.....	6	Maintenance	
Tractor Components		Lubrication Points	28
Main Component Power Transmission	8	Wiring Schematic	30
Engine Group	10	Maintenance And Service Record Sheet.....	31
Hydrostatic Ground Drive Assemblies.....	12	Warranty	
Steering Control Assemblies.....	14	Limited Warranty	33
GHS Group	16		
GHS Powerfil® Assembly (7.0)	18		
GHS 7.0 Bushel Catcher Assembly.....	20		

TRACTOR DECALS

ITEM NO.	PART NO.	DESCRIPTION	LOCATION	NO. REQ'D GHS
Walker Product Decals				
1	5800-11	Walker (8" Round)	7.0 Bushel Catcher (one on each side)	2
2	9804-1	Axle Lockout	Chassis	2
3	8600-44	LH Fender	Body, LH near Seat	1
4	8821-21	Decal, S18	Body	1
5	5856-1	Made in USA	Body	1
6	8600-45	RH Fender	Body, RH near Seat	1
Danger Decals Warning Decals Caution Decals				
7	8600-10	Danger, Pinch Point	7.0 Bushel Catcher Mounting Frame Assembly (one on each side)	2
8	8600-12	Danger, Engine Exhaust	Engine	1
9	8600-4	Danger, Rotating Blower Blades	Body, Near Body Chute	1
Maintenance Decals				
10	5869	Removable Screen	7.0 Bushel Catcher Removable Screen	1
11	6875	PTO Alignment Arrow	Universal Joint Tube Assembly	1

NOTE: All parts requiring decals are shipped with decals applied.

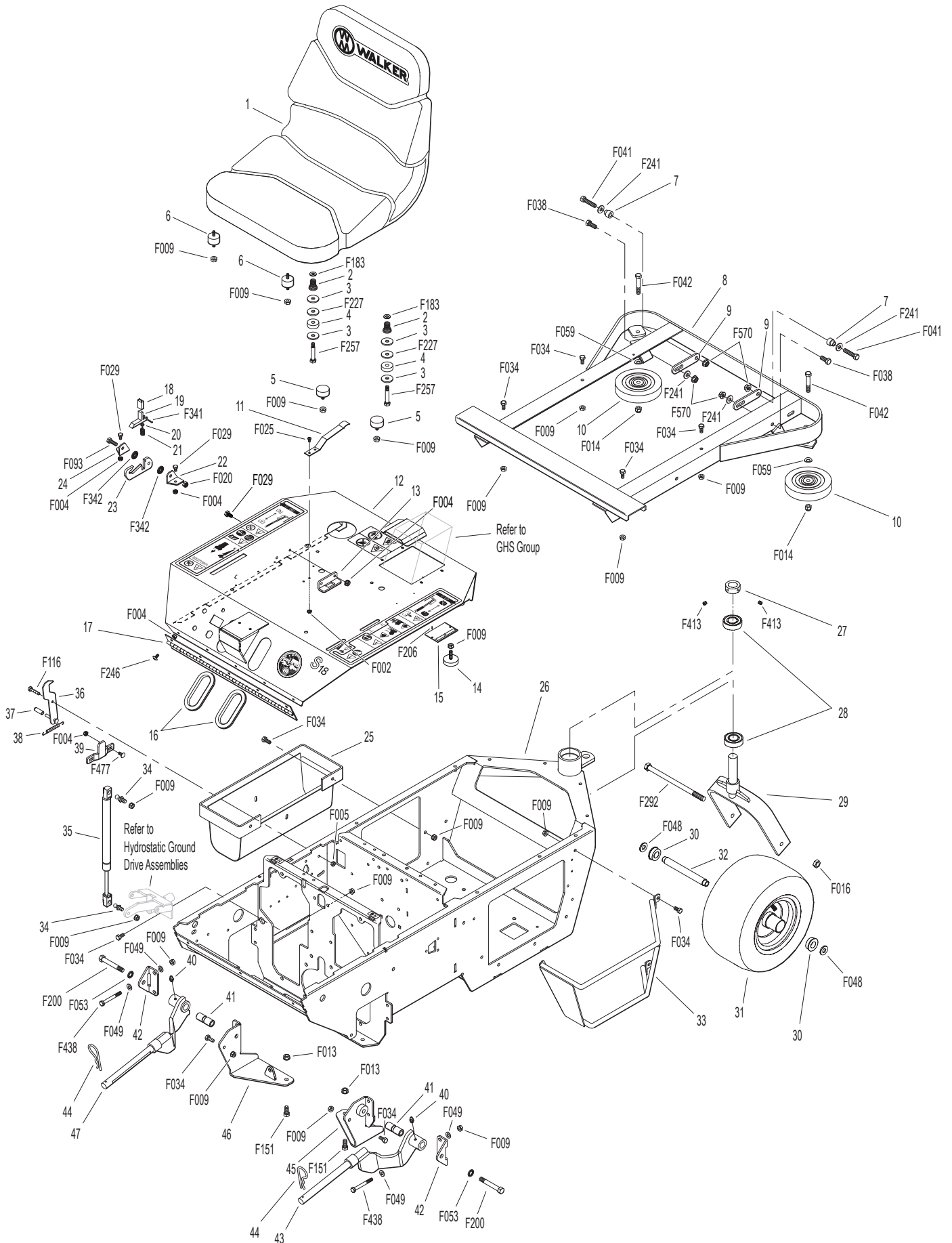
TRACTOR DECALS



BODY / CHASSIS ASSEMBLY

ITEM NO.	PART NO.	DESCRIPTION	NO. REQ'D	ITEM NO.	PART NO.	DESCRIPTION	NO. REQ'D
Seat Assembly				Deck Support Arm & Hitch Assemblies			
1	5103	Seat	1	40	5830	Grease Fitting	2
2	7223-4	Compression Spring	2	41	6840-1	Support Arm Bushing (2-1/16)	2
3	5841-1	Retainer Washer	4	42	6431-5	Deck Arm Mount	2
4	7434	Washer (3/8 x 1-1/4 x 1/4)	2	43	6431-3	Deck Support Arm, LH (Includes Item # 40)	1
5	7845-1	Rubber Bumper (1.375 x .750)	2	44	5775-2	Hitch Pin (#6)	2
6	7440-5	Shock Mount (1-1/4 x 3/4)	2	45	5303-5	Deck Arm Hydro Mount, LH	1
Rear Bumper Assembly				46	5303-6	Deck Arm Hydro Mount, RH	1
7	7516-5	Catcher Pivot Bushing	2	47	6431-4	Deck Support Arm, RH (Includes Item # 40)	1
8	5517-6	Rear Bumper	1	Fasteners			
9	7517-3	Catcher Pivot Plate	2	F002	10-24 Keps Nut		2
10	5162	Roller Wheel (5" Rubber)	2	F004	1/4-20 Keps Nut		14
Body Assembly				F005	1/4-20 ESNA Nut		1
11	2505	Leaf Spring	1	F009	5/16-18 Whiz Locknut		26
12	5100-17	Welded Body	1	F013	3/8-16 Whiz Locknut		2
13	4102-1	Body Guide, Upper	1	F014	3/8-16 ESNA Nut		2
14	7844	Rubber Bumper (1.25 x .250)	2	F016	1/2-13 Self-Locking Nut		1
15	NS	Body ID Plate	1	F020	5/16-18 ESNA Nut		1
16	5180	Edge Molding, Lever Opening	2	F025	10-24 x 3/8 PPHMS		2
17	4504-3	Hinge (19")	1	F029	1/4-20 x 1/2 Hex Bolt		4
Tilt-Up Latch Assembly**				F034	5/16-18 x 3/4 Hex Bolt		14
18	5847	Plastic Tip	1	F038	3/8-16 x 1 Hex Bolt		2
19	5744-20	Spring Arm, Tilt-Up Latch	1	F041	3/8-16 x 1-3/4 Hex Bolt		2
20	5744-10	Spring Pivot Bushing	1	F042	3/8-16 x 2-1/4 Hex Bolt		2
21	5744-15	Compression Spring (3/8 x 5/8)	1	F048	1/2 SAE Washer		2
22	5744-13	Mount Angle, LH	1	F049	5/16 SAE Washer		8
23	5744-12	Hook, Tilt-Up Latch	1	F053	7/16 Int. Star Lock Washer		2
24	5744-14	Mount Angle, RH	1	F059	3/8 Wave Spring Washer		2
Chassis Assembly				F093	5/16-18 x 1 Hex Bolt		1
25	9046	Gas Tank Mount	1	F116	1/4-20 x 1-1/4 Hex Bolt		1
26	5300-17	Chassis Frame	1	F151	3/8-16 x 7/8 Hex Bolt		2
27	5267-1	Retainer Collar (1") (Includes Item # F413)	1	F183	.312 x .700 x .074 Washer		2
28	5270-1	Pivot Bearing	2	F200	7/16-20 x 3 Grade 8 Bolt		2
29	5420-2	Tail Wheel Fork	1	F206	#2 x 3/16 Drive Pin		2
30	5037-1	Bearing, Tail Wheel	2	F227	3/8 x 1-1/4 x 1/8 Washer		2
31	5035	Tail Wheel & Tire Assembly (13 x 6.50-6)	1	F241	.375 x .875 x .10 Washer		4
	5035-1	Tail Wheel Tire (13 x 6.50-6)	*	F246	1/4-20 x 1/2 PTHMS		8
	5036	Tail Wheel & Hub (6 x 4.5)	*	F257	3/8 x 1-11/16 Shoulder Bolt		2
32	5038-1	Axle Spacer Tube (6-5/8)	1	F292	1/2-13 x 8-1/2 Hex Bolt, GR 5		1
33	6390-4	Battery Guard	1	F341	Coil Roll Pin (7/64 x 9/16)		1
34	5146	10mm Ball Stud	2	F342	5/16 Conical Washer		2
35	5145-4	Gas Spring Assembly (Includes Item # 34)	1	F413	5/16-24 x 5/16 Set Screw		2
36	7383-1	Body Latch Hook	1	F438	5/16-18 x 2-3/4 Hex Bolt		4
37	7854	Plastic Tip, Red	1	F477	1/4-20 x 5/8 Carriage Bolt		2
38	7222	Extension Spring (1/4 x 3)	1	F570	3/8-16 Flange Top Lock Nut		4
39	4102-2	Body Guide, Lower	1	* Service Part Only			
				** Complete Tilt-Up Latch Assembly Kit available by ordering kit # 5747.			

BODY / CHASSIS ASSEMBLY

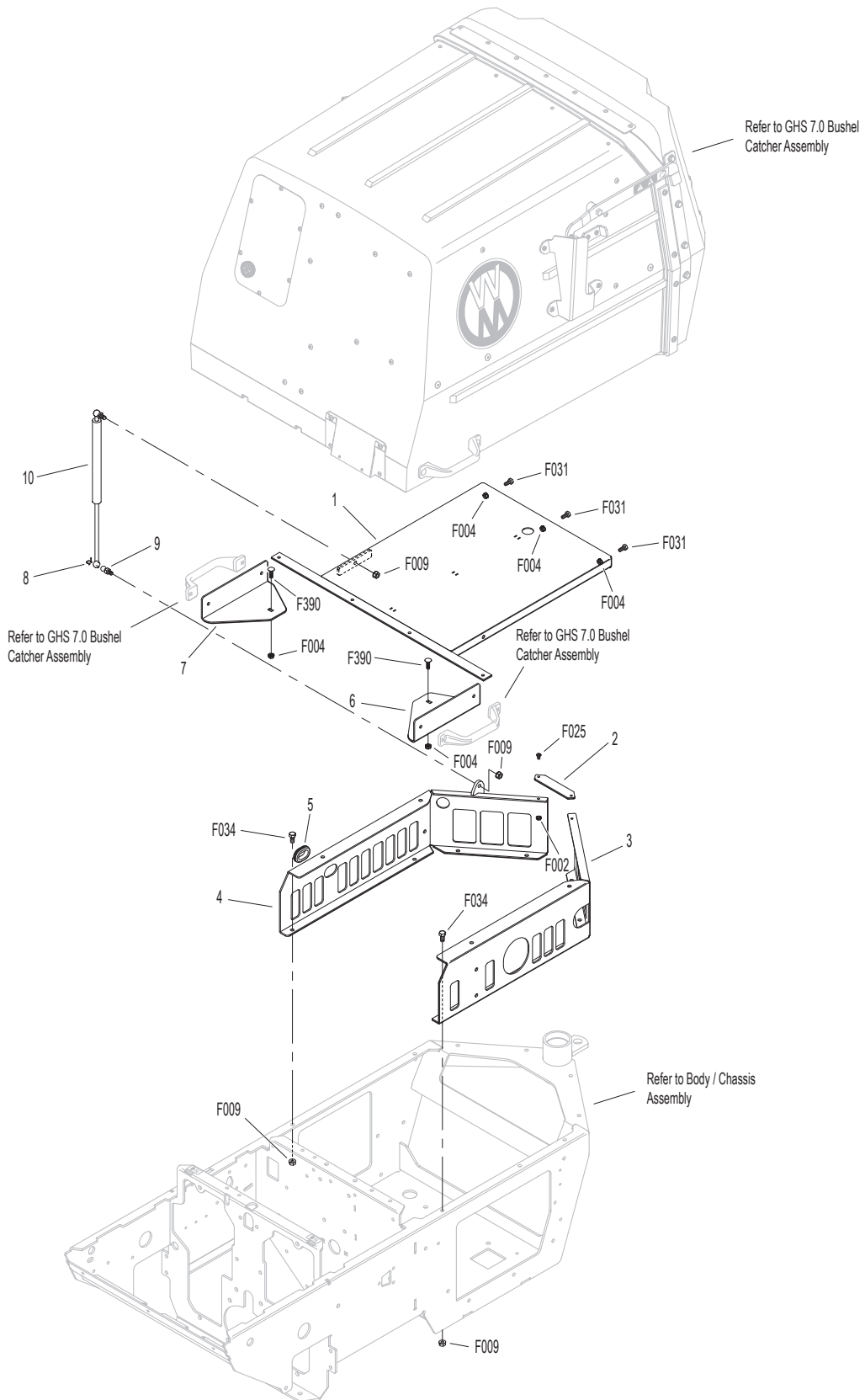


Beginning S/N 148901
Use only genuine Walker® replacement parts.

REAR BODY ASSEMBLY

ITEM NO.	PART NO.	DESCRIPTION	NO. REQ'D	ITEM NO.	PART NO.	DESCRIPTION	NO. REQ'D
Rear Body Assembly				Fasteners			
1	6515	Catcher Support Frame	1	F002		10-24 Keps Nut	2
2	5100-13	Rear Body Tie-In	1	F004		1/4-20 Keps Nut	5
3	5100-11	Rear Body Panel, LH	1	F009		5/16-18 Whiz Locknut	12
4	5100-12	Rear Body Panel, RH	1	F025		10-24 x 3/8 PPHMS	2
5	5977-8	Grommet (1 x 1-3/4)	1	F031		1/4-20 x 5/8 Hex Bolt	3
6	8515-14	Catcher Handle Plate, RH	1	F034		5/16-18 x 3/4 Hex Bolt	9
7	8515-13	Catcher Handle Plate, LH	1	F390		1/4-20 x 7/8 Carriage Bolt	2
8	7147	Spring Clip	2				
9	7146	13mm Ball Stud	2				
10	7145	Gas Spring Assembly (Includes Items # 8 & 9)	1				
				NOTE: Rear Bumper Assembly for GHS Models is not shown here. Refer to BODY / CHASSIS ASSEMBLY , Page 4.			

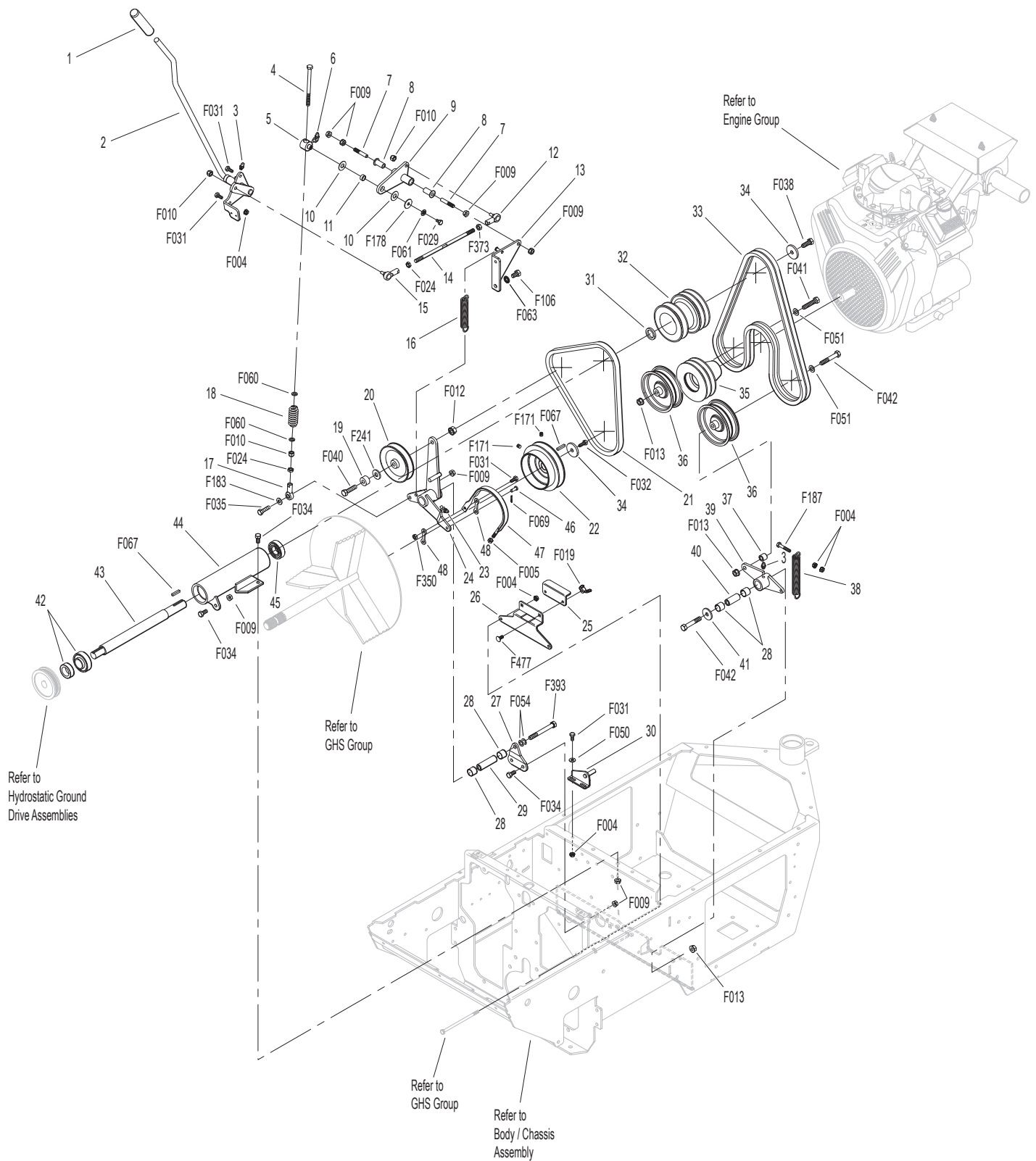
REAR BODY ASSEMBLY



MAIN COMPONENT POWER TRANSMISSION

ITEM NO.	PART NO.	DESCRIPTION	NO. REQ'D	ITEM NO.	PART NO.	DESCRIPTION	NO. REQ'D
PTO Drive Assembly				Blower Brake Assembly			
1	4850	Handle Grip, Black	1	46	7523-2	Clevis Pin W/Hole (1/4 x 5/8)	1
2	6358-29	Clutch Lever	1	47	8304	Brake Band (14-1/2)	1
3	5830	Grease Fitting	2	48	4359-1	Brake Band Link, Front	2
4	4303-7	Clutch Actuator Bolt (5/16)	1	Fasteners			
5	7380	Knuckle Joint	1	F004	1/4-20 Keps Nut		9
6	5830-4	Grease Fitting (90 Degree)	1	F005	1/4-20 ESNA Nut		1
7	2358-6	5/16-18 x 1-3/4 Stud	2	F009	5/16-18 Whiz Locknut		9
8	5103-2	Pivot Bushing (5/16 ID)	2	F010	5/16-24 ESNA Nut		3
9	6325-5	Clutch Arm	1	F012	3/8-16 Keps Nut		1
10	7377	Plastic Washer (1 x .438 x .025)	2	F013	3/8-16 Whiz Locknut		3
11	7378	Pivot Bearing (7/16 x 9/16)	1	F019	1/4-20 ESNA Wing Nut		2
12	5214-3	Ball Joint (5/16-24LH) (Nylon Lined)	1	F024	5/16-24 Jam Nut		2
13	6325-6	Clutch Arm Support Bracket	1	F029	1/4-20 x 1/2 Hex Bolt		1
14	6410-3	Clutch Pull Rod 8-5/8	1	F031	1/4-20 x 5/8 Hex Bolt		6
15	5214-2	Ball Joint (5/16-24) (Nylon Lined)	1	F032	1/4-20 x 3/4 Hex Bolt		1
16	5221	Extension Spring (3/4 x 4)	1	F034	5/16-18 x 3/4 Hex Bolt		6
17	5214-4	Ball Joint (5/16-24) W/O Stud	1	F035	5/16-18 x 1-1/4 Hex Bolt		1
18	5226-1	Spring (3/4 x 2-1/2)	1	F038	3/8-16 x 1 Hex Bolt		1
19	6325-10	Spacer / Stop (3/8 x 7/8 x 1/2)	1	F040	3/8-16 x 1-1/2 Hex Bolt		1
20	5247-2	V-Groove Idler (4")	1	F041	3/8-16 x 1-3/4 Hex Bolt		1
21	5234-7	PTO Drive Belt (B31-K)	1	F042	3/8-16 x 2-1/4 Hex Bolt		2
22	5238-22	PTO Drive Pulley (5/B)	1	F050	1/4 SAE Washer		2
23	5830-3	Grease Fitting (45 Degree)	1	F051	3/8 SAE Washer		2
24	6358-4	PTO / Clutch / Brake Actuator (Includes Items # 23 & 28)	1	F054	AN960616 Washer		2
25	5300-11	Guide Top	1	F060	AN960516 Washer		2
26	5300-12	Belt Guide Base	1	F061	1/4 Star Lock Washer		1
27	6358-5	PTO / Clutch / Brake Support	1	F063	3/8 Int. Star Lock Washer		2
28	7201-3	Fiberglide Bearing	4	F067	3/16 x 3/16 x 1 Key		2
29	7201-5	Inner Race (2-1/4)	1	F069	3/32 x 1/2 Cotter Pin		1
30	5303-3	Belt Guide Mount	1	F106	3/8-16 x 5/8 Hex Bolt		2
Engine Belt Tightener Assembly				F171	5/16-18 x 3/8 Set Screw		2
31	6394-5	Jackshaft Washer	1	F178	1/4 x 1 Fender Washer		1
32	5240-3	Compound Pulley, 4B	1	F183	.312 x .700 x .074 Washer		1
33	4230-1	Engine/PTO Belt	1	F187	1/4-20 x 1-1/2 Hex Bolt		1
34	9051	Washer (5/16 x 1-3/8)	2	F241	.375 x .875 x .10 Washer		1
35	5237-3	Engine Pulley (4.25 / AA)	1	F350	1/4-20 LP Nylock		1
36	4245-1	Idler Pulley (4 / Flat)	2	F373	5/16-24 Hex Nut, LH		1
37	6325-3	Spacer Bushing (9/16)	1	F393	3/8-16 x 3-1/4 Hex Bolt		1
38	5221-1	Extension Spring (3/4 x 5)	1	F477	1/4-20 x 5/8 Carriage Bolt		2
39	6345-5	Idler Arm (Includes Items # 3 & 28)	1				
40	7201-4	Inner Race (1-1/2)	1				
41	5841	Retainer Washer (3/8 x 1-1/4)	1				
42	5270	Bearing W/Collar (1")	1				
43	6273-3	Jackshaft (1 x 12-13/16)	1				
44	6394-4	Jackshaft Bearing Housing	1				
45	6273-4	Bearing (7/8")	1				

MAIN COMPONENT POWER TRANSMISSION

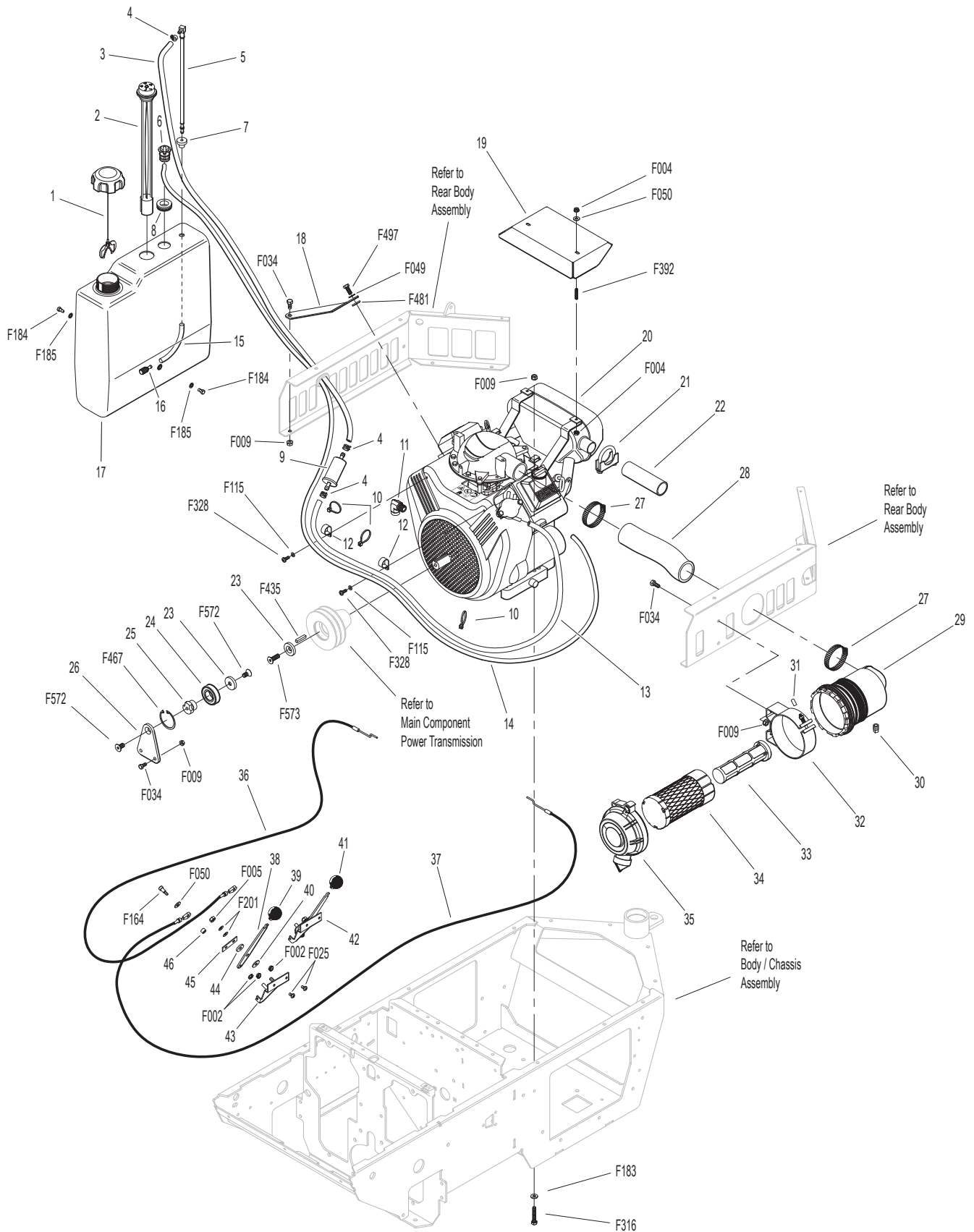


Beginning S/N 148901
 Use only genuine **Walker**® replacement parts.

ENGINE GROUP

ITEM NO.	PART NO.	DESCRIPTION	NO. REQ'D	ITEM NO.	PART NO.	DESCRIPTION	NO. REQ'D
Fuel Tank Assembly				Throttle and Choke Assemblies			
1	5082-4	2-1/4 Ratchet Fuel Cap	1	36	4108-1	Throttle/Choke Cable (56-1/2")	1
2	8055-2	Fuel Tank Gauge	1	37	5122-3	Choke Cable (58")	1
3	M246	Fuel Line, Tank to Filter (1/4 x 8-1/2")	1**	38	5108-1	Control Lever, Throttle and Choke	2
4	5879-3	Hose Clamp (1/2)	3	39	5108-5	Throttle Control Knob, Red	1
5	5083-8	Tank Tube (13")	1	40	5108-11	Friction Washer (.062)	1
6	8043-8	Roll Over Valve	1	41	5108-6	Choke Control Knob, Black	1
7	5083-1	Bushing, Rubber (Fits 5083)	1	42	7108	Control Assembly, Throttle and Choke (Includes Items # 38, 40, 43-45 & F201)	*
8	5977-7	Roll Over Grommet (.900 x 1-1/2)	1		2108-2	Throttle Control and Cable Assembly (Complete Control and Cable Assembly)	*
9	5020	Fuel Filter	1		5121-3	Choke Control and Cable Assembly (Complete Control and Cable Assembly)	*
10	5975-3	Cable Tie (#50 x 7")	3	43	5108-8	Control Bracket	2
11	4010-5	3/8 NPT Street L	1	44	5108-10	Friction Washer (.125)	1
12	7833-2	Cable Clamp (1 x 1/4)	2	45	5108-7	Control Lock Tab	2
13	M246	Fuel Line, Filter to Engine (1/4 x 21")	1**	46	5172	Bearing, Delrin (.255 x .379 x .250)	2
14	M113	Fuel Line (3/16 x 26")	1**	Fasteners			
15	5086-7	Hose (1/4 x 6)	1	F002	10-24 Keps Nut	6	
16	5020-2	Fuel Filter, In Tank	1	F004	1/4-20 Keps Nut	4	
17	6055-2	Fuel Tank, 4.0 Gal. Gas (Black) (Includes Items # 2, 5, 6, 8, 15 & 16)	1	F005	1/4-20 ESNA Nut	2	
Engine Assembly				F009	5/16-18 Whiz Locknut	9	
18	5303-11	Engine Support Brace	1	F025	10-24 x 3/8 PPHMS	4	
19	4104-9	Heat Shield, Aluminum	1	F034	5/16-18 x 3/4 Hex Bolt	5	
20	NS	18 HP Engine (Briggs & Stratton)	1	F049	5/16 SAE Washer	1	
21	5013-16	Exhaust Clamp (1-1/4")	1	F050	1/4 SAE Washer	4	
22	5013-13	Muffler Pipe Extension	1	F115	#8 SAE Washer	2	
23	6545-3	Engine Pulley Washer	2	F164	10-24 x 1/4 x 3/8 SHL Bolt	2	
24	5270-1	Pivot Bearing	1	F183	.312 x .700 x .074 Washer	4	
25	5237-4	Engine Pulley Bushing	1	F184	1/4-20 x 1/2 Hex Bolt, SS	2	
26	5237-5	Engine Pulley Mount Plate	1	F185	1/4 Internal Star Lock Washer, SS	2	
Precleaner Assembly				F201	1/4 Belleville Spring Washer	4	
27	6029	Hose Clamp (1-3/4 to 2-1/4)	2	F316	5/16-18 x 1-3/4 Hex Bolt	4	
28	6087-7	Air Intake Hose	1	F328	M6 x 1.0 x 16 Hex Bolt	2	
29	2090-21	Air Cleaner Assembly (Includes Items # 32-35)	1	F392	1/4-20 x 1 Set Screw, SS (Cup Point)	2	
30	5088-15	1/8" Female NPT Brass Cap	1	F435	1/4 x 1/4 x 1-1/4 Key	1	
31	7854-1	Plastic Tip, Black (.218 ID)	1	F467	2" Internal Snap Ring	1	
32	5088-3	Air Cleaner Band	1	F481	Washer 5/16 x 1 x .125	1	
33	2090-3	Safety Filter Insert	1	F497	M8 x 20 Hex Bolt	1	
34	2090-1	Air Cleaner Cartridge	1	F572	3/8-24 x 5/8 SFH Cap Screw	2	
35	2088-2	Air Cleaner Cap	1	F573	3/8-24 x 1-1/4 SFH Cap Screw	1	
				* Service Part Only			
				** Required hose specifications:			
				M113 - 3/16" ID fuel/oil/vapor hose (Gates 4219-0093 or equivalent)			
				M246 - 1/4" ID low permeation (<15g/m ² /day) fuel hose (Parker 38904 or equivalent)			

ENGINE GROUP



HYDROSTATIC GROUND DRIVE ASSEMBLIES

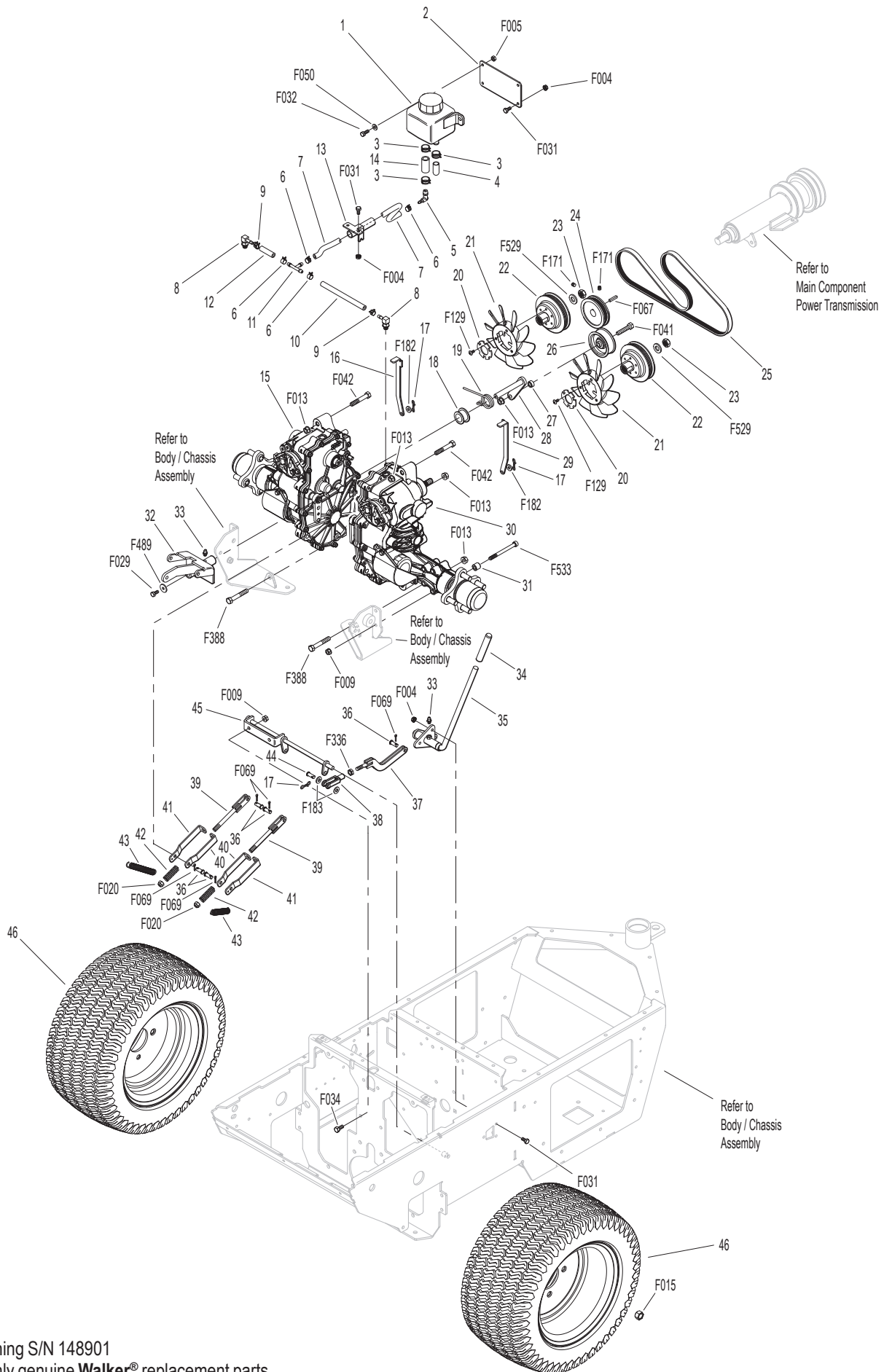
ITEM NO.	PART NO.	DESCRIPTION	NO. REQ'D	ITEM NO.	PART NO.	DESCRIPTION	NO. REQ'D
Transaxle Reservoir Assembly				36	8655-4	Clevis Pin (5/16 x 3/4)	5
1	2025-1	Oil Expansion Reservoir (71327)	1	37	6406-1	Brake Actuator Pull	1
2	4025-2	Reservoir Bottle Mount	1	38	2280	Clevis (3/8)	1
3	5879-8	Hose Clamp (13/16)	3	39	6406-2	Parking Brake Pull Rod	2
4	2025-8	Reservoir Bottom Caps	1	40	6406-4	Parking Brake Pull Mount, Inner	2
5	4025-3	Elbow (1/4 x 1/2)	1	41	6406-5	Parking Brake Pull Mount, Outer	2
6	5879-3	Hose Clamp (1/2)	4	42	5665-1	Compression Spring (2-1/2)	2
7	M111	Hose (1/4 x 14")	1**	43	5222	Extension Spring (1/2 x 3-1/4)	2
8	2025-17	Straight Thread Hose Fitting	2	44	2406-4	Clevis Pin (5/16 x 1-1/8)	1
9	5879-4	Hose Clamp (7/16)	2	45	6406-3	Parking Brake Actuator	1
10	M111	Hose (1/4 x 6-5/8")	1**	Wheel Assembly			
11	8043-9	1/4 x 1/4 x 1/4 Tee	1	46	5075-1	LP Wheel & Tire Assembly (18 x 8.50-10)	2
12	M111	Hose (1/4 x 1-5/8")	1**		5075-2	LP Tire (18 x 8.50-10)	*
13	7364-9	Reservoir Hose Guide	1		5075-5	LP Wheel (10 x 7)	*
14	5087-1	Hose (1/2 x 1-3/4)	1	Fasteners			
Ground Drive Assemblies					F004	1/4-20 Keps Nut	7
15	5026-21	Hydro-Gear ZT3100, RH	1		F005	1/4-20 ESNA Nut	2
16	2028-6	Lockout Arm, RH	1		F009	5/16-18 Whiz Locknut	6
17	4407-4	Bow Tie Cotter Pin	3		F013	3/8-16 Whiz Locknut	5
18	7364-3	Idler Spring Bushing	1		F015	1/2-20 Wheel Lug Nut	8
19	7364-2	Torsion Spring	1		F020	5/16-18 ESNA Nut	2
20	5025-18	Hydro Fan Washer	2		F029	1/4-20 x 1/2 Hex Bolt	1
21	5025-17	Hydro Fan	2		F031	1/4-20 x 5/8 Hex Bolt	7
22	7244-21	Hydro Pulley (4.075) Splined	2		F032	1/4-20 x 3/4 Hex Bolt	2
23	5025-19	Hydro Fan Nut	2		F034	5/16-18 x 3/4 Hex Bolt	2
24	7241-2	Transmission Drive Pulley (3-1/4MV) (Includes Items # F067 & F171)	1		F041	3/8-16 x 1-3/4 Hex Bolt	1
25	5232-1	Ground Drive Belt (Micro V)	1		F042	3/8-16 x 2-1/4 Hex Bolt	2
26	5245-1	Idler Pulley	1		F050	1/4 SAE Washer	2
27	6325-2	Spacer Bushing (5/16)	1		F067	3/16 x 3/16 x 1 Key	1
28	6345-4	Idler Arm	1		F069	3/32 x 1/2 Cotter Pin	5
29	2028-5	Lockout Arm, LH	1		F129	10-24 x 1/2 PTHMS	6
30	5025-21	Hydro-Gear ZT3100, LH	1		F171	5/16-18 x 3/8 Set Screw	2
31	9430-1	Spacer Tube	4		F182	1/4 x 5/8 x 1/8 Washer	2
32	6215	Shock Mount / Body Lift Arm (Includes Item # 22)	1		F183	.312 x .700 x .074 Washer	2
33	5830	Grease Fitting	2		F336	3/8-16 Jam Nut	1
Parking Brake Assembly					F388	3/8-16 x 2-1/2 Hex Bolt	2
34	7406-1	Handle Grip, Red	1		F489	Washer 1/4 x 7/8 x .090	1
35	6406-6	Parking Brake Lever (Includes Item # 33)	1		F529	Washer 1.0 OD x .515 ID x 1/8	2
					F533	Socket Cap Bolt 5/16-18 x 3-1/2	4

* Service Part Only

**** Required hose specifications:**

M111 - 1/4" ID fuel/oil/vapor hose (Gates 4219-0103 or equivalent)

HYDROSTATIC GROUND DRIVE ASSEMBLIES

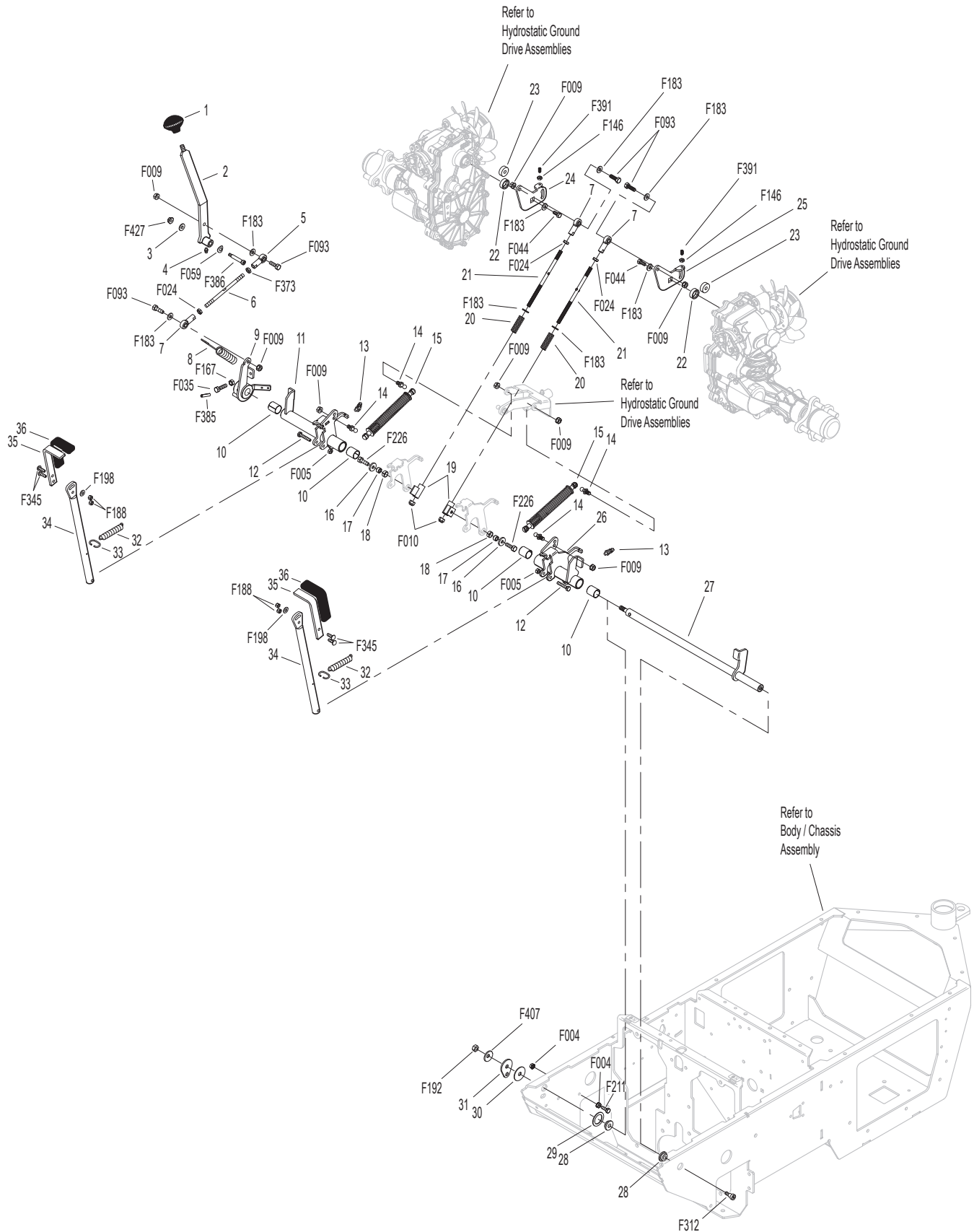


Beginning S/N 148901
 Use only genuine **Walker**® replacement parts.

STEERING CONTROL ASSEMBLIES

ITEM NO.	PART NO.	DESCRIPTION	NO. REQ'D	ITEM NO.	PART NO.	DESCRIPTION	NO. REQ'D
Steering Lever & FSC Assemblies				Fasteners			
1	5862	FSC Knob	1	F004	1/4-20 Keps Nut		2
2	4170	FSC Lever Assembly (Includes Item # 4)	*	F005	1/4-20 ESNA Nut		2
3	2170-1	Step Washer	1	F009	5/16-18 Whiz Locknut		8
4	5830	Grease Fitting	1	F010	5/16-24 ESNA Nut		2
5	5214-5	Ball Joint (5/16-24/LH) W/O Stud	1	F024	5/16-24 Jam Nut		3
6	4173-2	Control Rod (4-15/16)	1	F035	5/16-18 x 1-1/4 Hex Bolt		1
7	5214-4	Ball Joint (5/16-24) W/O Stud	3	F044	5/16-24 x 3/4 Hex Bolt		2
8	4219	Extension Spring (3/4 x 6-1/2)	1	F059	3/8 Wave Spring Washer		1
9	4451-9	FSC Friction Actuator	1	F093	5/16-18 x 1 Hex Bolt		4
10	8201-3	Fiberglide Bearing	4	F146	1/4-20 Jam Nut		2
11	6451-2	Speed Control Actuator, RH (Includes Items # 10 & 13)	1	F167	5/16-18 Hex Nut		1
12	4452-6	Steering Pivot (1/4-20 x 1-5/8)	2	F183	.312 x .700 x .074 Washer		8
13	5830-3	Grease Fitting (45 Degree)	2	F188	1/4-20 Self-Locking Nut		4
14	5146	10mm Ball Stud	4	F192	3/8-24 Self-Locking Nut		1
15	4199-2	Steering Lever Dampener Assembly	2	F198	.250 x .625 x .040 Washer, SS		2
16	5463-6	Washer 5/16 x 3/4 x .250	2	F211	1/4-20 x 7/8 Hex Bolt		1
17	5463-5	Steering Arm Pivot Bushing (SS)	2	F226	5/16-18 x 7/8 Hex Bolt		2
18	7201-2	Fiberglide Bearing (1/2")	2	F312	3/8 x 3/8 Shoulder Bolt		1
19	5463-4	Steering Lever Actuator	2	F345	1/4-20 x .770 Knurled Bolt		4
20	5665-1	Compression Spring (2-1/2)	2	F373	5/16-24 Hex Nut, LH		1
21	4213-2	Control Rod (6-3/4)	2	F385	1/4 x 1-1/4 Roll Pin		1
22	2212-3	Seal Retainer	2	F386	5/16-18 x 1-1/2 x 3/8 Shoulder Bolt		1
23	2212	Transmission Control Arm Stop	2	F391	1/4-20 x 1/2 Set Screw, SS		2
24	6212-2	Transmission Control Arm, RH	1	F407	Belleville Washer 3/8 x 1.187, SS		1
25	6212-3	Transmission Control Arm, LH	1	F427	5/16-18 Flange Nut		1
26	6451-1	Speed Control Actuator, LH (Includes Items # 10 & 13)	1				
27	4451-1	Steering Pivot Shaft W/Stop	1				
28	9704-3	Pivot Rod Bushing / Plastic	2				
29	4142-2	FSC Friction Washer (1-1/2 x 1-1/32 x 1/16)	1				
30	5141	FSC Friction Washer (1-1/2 x 3/8 x 1/16)	1				
31	4142-1	FSC Cam	1				
32	5222	Extension Spring (1/2 x 3-1/4)	2				
33	5450	D-Clip	2				
34	6452-1	Steering Lever Tube W/Tab	2				
35	5453-10	Steering Lever Handle / Adjustable (Includes Items # 36 & F345)	2				
36	5850-2	Handle Grip, Foam (5-1/2)	2				
				*	Service Part Only		

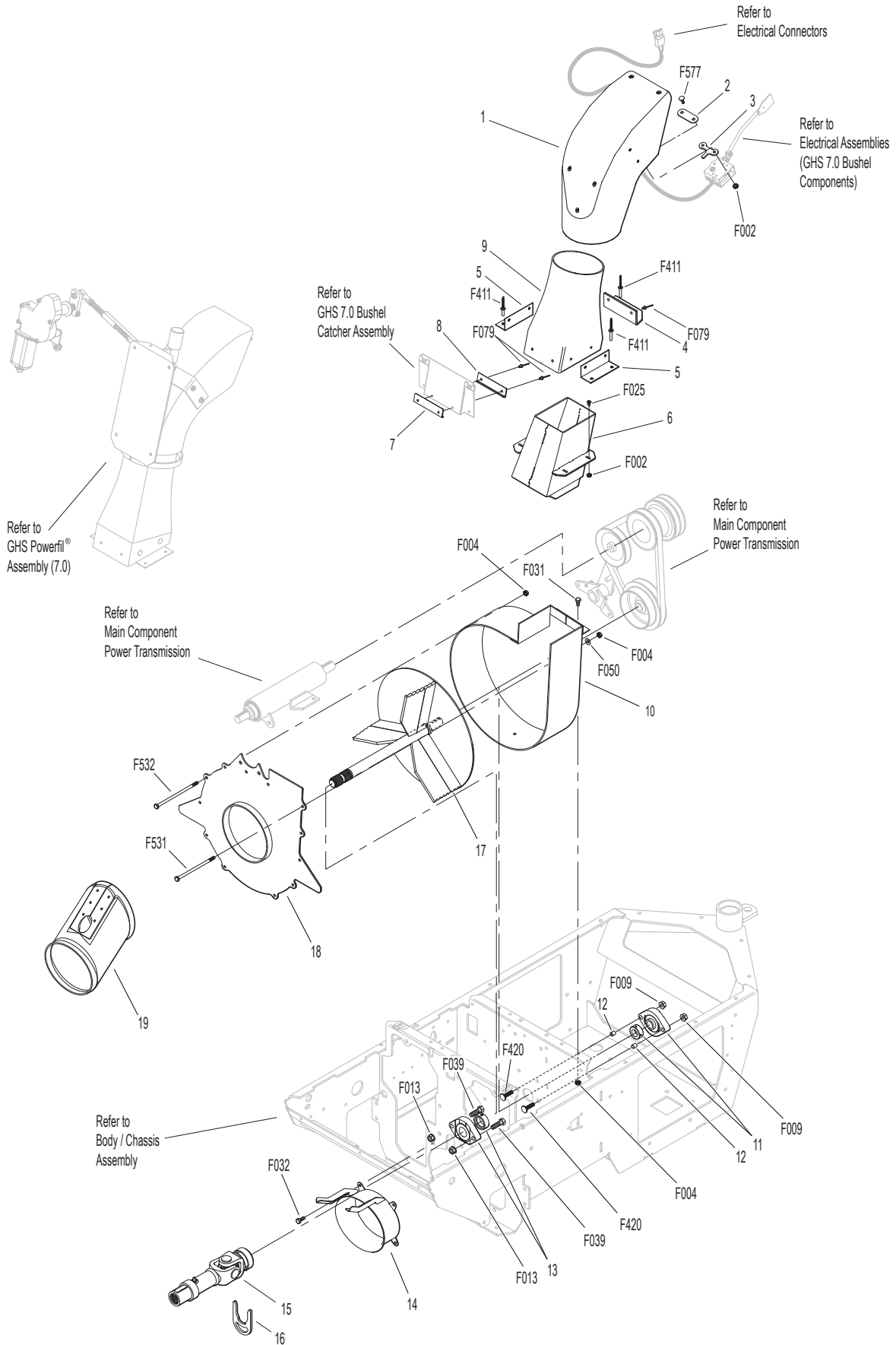
STEERING CONTROL ASSEMBLIES



GHS GROUP

ITEM NO.	PART NO.	DESCRIPTION	NO. REQ'D	ITEM NO.	PART NO.	DESCRIPTION	NO. REQ'D
Delivery Chute Assembly				Fasteners			
1	5515-4	Elbow Delivery Spout	1	F002		10-24 Keps Nut	6
2	5592-24	Backing Plate, Grass-Pak® Switch	1	F004		1/4-20 Keps Nut	14
3	5592-23	Grass-Pak® Housing Spacer	1	F009		5/16-18 Whiz Locknut	2
4	5578-1	Rear Clip Notched, Chute Mount	1	F013		3/8-16 Whiz Locknut	2
5	5577	Side Clip, Chute Mount	2	F025		10-24 x 3/8 PPHMS	4
6	6530-6	Body Chute	1	F031		1/4-20 x 5/8 Hex Bolt	2
7	7511-5	Outside Chute Cover Lip	1	F032		1/4-20 x 3/4 Hex Bolt	4
8	7511-4	Inside Chute Cover Lip	1	F039		3/8-16 x 1-1/4 Hex Bolt	2
9	7511-2	7.0 Delivery Chute W/Clips (Includes Items # 4, 5, F079 & F411)	1	F050		1/4 SAE Washer	2
Blower Assembly				F079		A/A66D Aluminum Pop Rivet	8
10	6543-5	Blower Scroll	1	F411		3/16 Bulbex Rivet	6
11	6349-2	Flanged Bearing (3/4")	1	F420		5/16-18 x 1-1/4 Carriage Bolt	2
12	6349-1	Sleeve .3150 x .375 x 3/8	2	F531		1/4-20 x 5 Hex Bolt	11
13	4349-14	Flanged Bearing (1") Machine Flat	1	F532		1/4-20 x 5-1/2 Hex Bolt	1
14	5526-9	Receiver Cone	1	F577		10-24 x 5/8 Carriage Bolt	2
15	7275-3	U-Joint Tube, Splined	1	* The Quick Coupler Installation Tool is used to assist the installation of the Quick Coupler Tube and PTO Shaft connection by holding the disconnect ring in the retracted position when joined to the tractor spline shaft on the PTO gearbox.			
16	7275-9	Quick Coupler Installation Tool	*				
17	6545-7	Blower Wheel	1	NOTE: Refer to ELECTRICAL CONNECTORS , Page 26, for identification of all Electrical Wiring Service Parts.			
18	6543-8	Blower Faceplate	1				
19	5794-5	Fixed Chute	1				

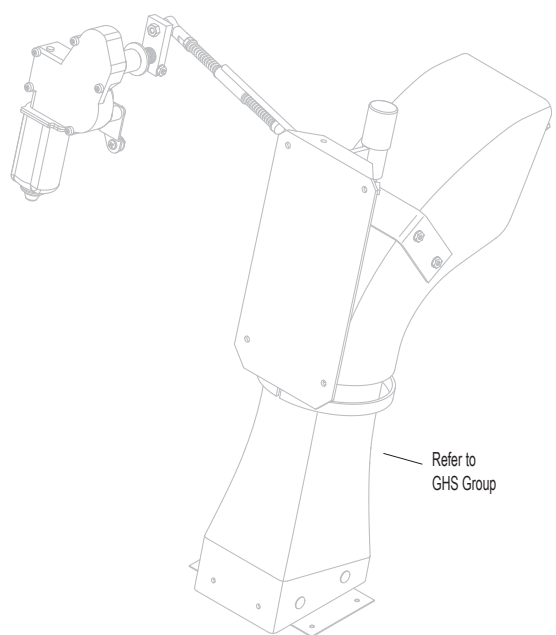
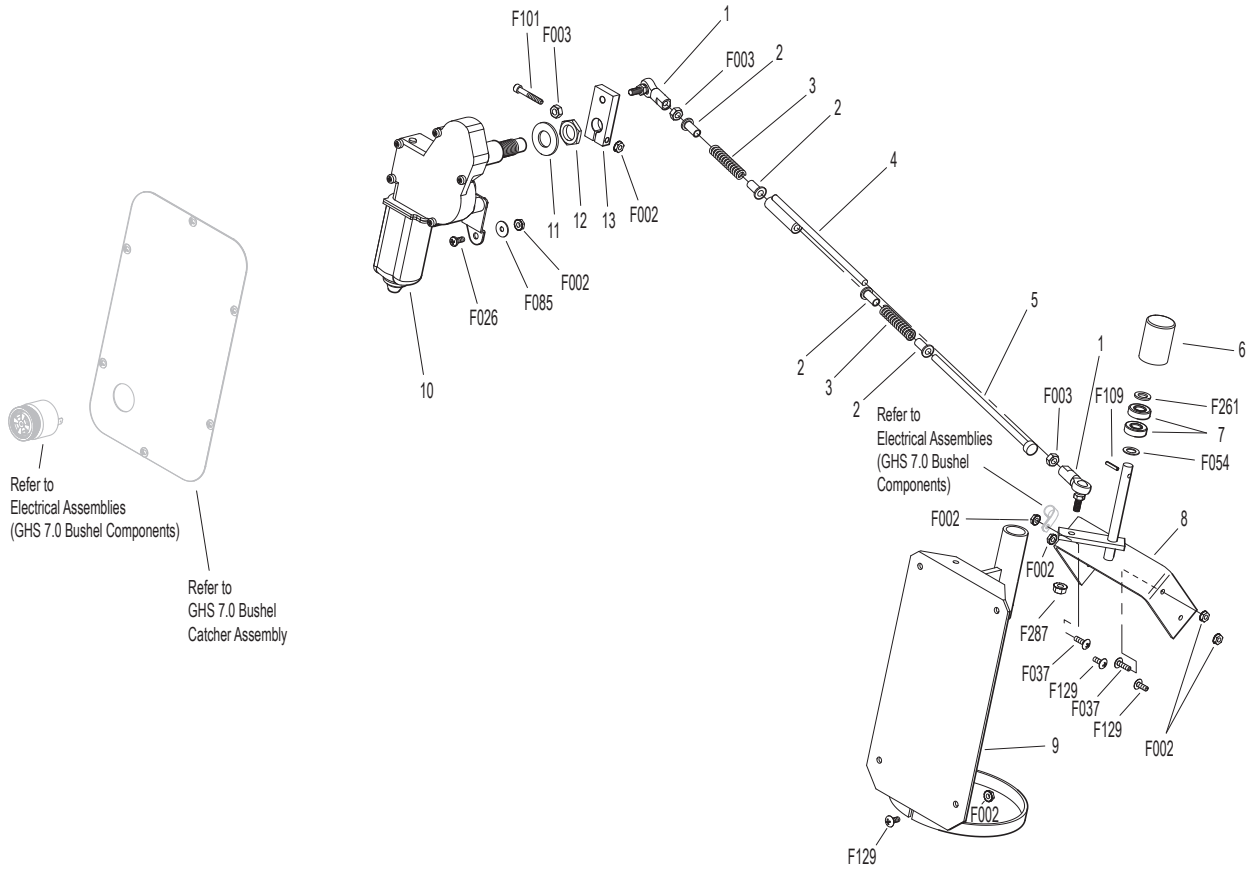
GHS GROUP



GHS POWERFIL® ASSEMBLY (7.0)

ITEM NO.	PART NO.	DESCRIPTION	NO. REQ'D	ITEM NO.	PART NO.	DESCRIPTION	NO. REQ'D
7.0 GHS Powerfil® Assembly				Fasteners			
1	5552	Ball Joint (1/4-28)	2	F002		10-24 Keps Nut	10
2	5553-3	Bushing, Powerfil® Actuator	4	F003		1/4-28 Hex Nut	3
3	5553-1	Compression Spring (1/2 x 2)	2	F026		10-24 x 1/2 PPHMS	1
4	5558-2	Powerfil® Actuator Rod	1	F037		10-24 x 5/8 PTH Screw	2
	5549	Actuator Rod Assembly (Includes Items # 1-5 & F003)	*	F054		AN960616 Washer	1
5	5558-1	Powerfil® Push Rod	1	F085		3/16 Rivet Backup Washer	1
6	5551-3	Bearing Cap, Powerfil®	1	F101		10-24 x 1-1/4 SHC Screw	1
7	5551-1	Pivot Bearing (#S3PP)	2	F109		1/8 x 5/8 Roll Pin	1
8	5518-2	Pivot, Delivery Spout	1	F129		10-24 x 1/2 PTHMS	6
9	5517-2	Pivot Mount	1	F261		AN960616L Washer	1
10	5519-5	Actuator Motor (12V) (Includes Items # 11 & 12)	1	F287		1/4-28 Keps Nut	1
11	5519-2	Motor Mount Washer	*	* Service Part Only			
12	5519-3	Motor Mount Nut (5/8-24)	*				
13	5554	Actuator Arm	1				

GHS POWERFIL® ASSEMBLY (7.0)



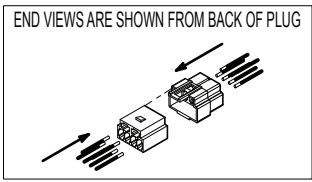
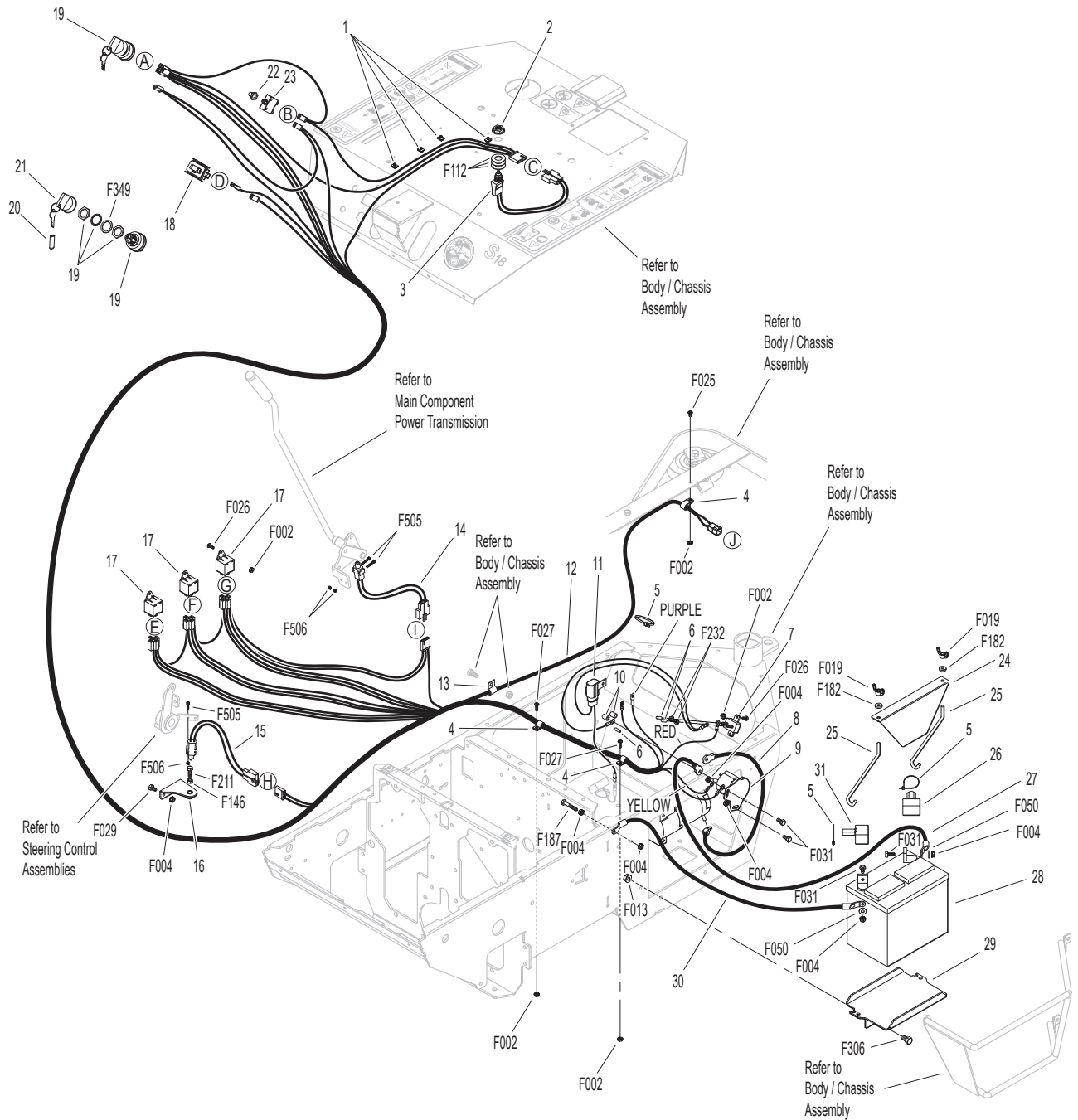
GHS 7.0 BUSHEL CATCHER ASSEMBLY

ITEM NO.	PART NO.	DESCRIPTION	NO. REQ'D	ITEM NO.	PART NO.	DESCRIPTION	NO. REQ'D
Upper Baffle Screen Assembly (Removable)				39	7510-3	7.0 Bushel Catcher Box	1
					7502-6	7.0 Catcher W/Powerfil® (Includes Door)	*
1	7512-6	Removable Screen (3/16 Hole) (Includes Items # 2, F025 & F190)	1**	40	7607-8	Powerfil® Cover Plate	1
2	7506	Knob / Threaded Insert (10-24)	2	41	7608-4	Hinge Plate, RH	1
3	7509-2	Channel Top	2	42	8155-8	7.0 Gas Spring Cover, RH	1
4	8606-2	Channel Bottom	2	43	7607-14	Catcher Door Arm, RH	1
5	6856-1	Edge Molding (21-3/4")	1	44	7584-3	Reinforcing Strap	1
6	6507	Screen Seal (23-1/4")	1	45	5801-3	Decal Plate, Round (Set of 2)	1
7	7505	Mustache Spring	2	46	7608-5	Door Arm Stop	2
8	7509-6	C-Channel With Spring (Includes Items # 7 & F340)	1	5598-2 Optional Dump Bag (Not Shown) May be ordered as an option. Contact your Walker dealer.			
7.0 Exhaust Deflector Door Assembly				Fasteners			
9	7607-3	Upper Door Seal	1	F002	10-24 Keps Nut		25
10	7510-4	7.0 Catcher Box Door (Includes Frame) (Includes Items # 9, 11, 12, 14, F085, F330 & F411)	1	F004	1/4-20 Keps Nut		15
11	5583	Handle	1	F009	5/16-18 Whiz Locknut		2
12	7607-6	Lower Door Stiffener (7.0)	1	F020	5/16-18 ESNA Nut		2
13	8607-8	Door Guide	1	F025	10-24 x 3/8 PPHMS		6
14	7607-5	Upper Door Stiffener	1	F027	10-24 x 5/8 PPHMS		10
GHS 7.0 Bushel Catcher Assembly				F029	1/4-20 x 1/2 Hex Bolt		4
15	7503-7	Center Strap (7.0)	1	F049	5/16 SAE Washer		4
16	7503-6	Upper Frame Doubler (7.0)	2	F050	1/4 SAE Washer		6
17	7503-5	Lower Frame Doubler (7.0)	2	F079	A/A66D Aluminum Pop Rivet		3
18	7503-4	Outside Box Strap (7.0)	2	F085	3/16 Rivet Backup Washer		4
19	8608-11	Catcher Door Finger	1	F094	8-32 x 1/2 PTHMS		6
20	8608-4	Center Frame Doubler	1	F129	10-24 x 1/2 PTHMS		14
21	7503-11	Catcher Mount	1	F178	1/4 x 1 Fender Washer		4
22	7610-4	Catcher Dump Flap Spacer (7.0)	1	F190	#10 Internal Star Lock Washer		2
23	7610-8	Catcher Dump Flap With Plate	1	F196	1/4-20 x 1 PPHMS, SS		4
24	8610-3	Backing Plate / Dump Flap	1	F230	1/4-20 x 1-1/4 PPHMS, SS		4
25	7620-3	Pivot Bushing (1/2 x 9/16)	4	F242	1/4-20 x 7/8 PPHMS, SS		10
26	7607-7	Bushing	2	F275	5/16-18 x 2 Hex Bolt		2
27	7608-3	Hinge Plate, LH	1	F330	3/16D x 21/32L Rivet, SS		4
28	7607-15	Catcher Door Arm, LH	1	F340	Rivet, Aluminum		4
29	8155-7	7.0 Gas Spring Cover, LH	1	F351	Aluminum Pop Rivet		6
30	5147	Spring Clip	4	F360	1/4-20 x 3/8 Hex Bolt		2
31	5155-5	Gas Spring	2	F390	1/4-20 x 7/8 Carriage Bolt		4
32	5155-13	3/4 Ball Stud	2	F411	3/16 Bulbex Rivet		32
33	5523-6	Gas Spring Plate	2	F477	1/4-20 x 5/8 Carriage Bolt		4
34	5155-12	5/16 Ball Stud	2	F504	1/4-20 Whiz Locknut		12
35	5155-15	Box Support, Gas Spring	2	F524	3/16 x 3/8 Aluminum Rivet, Black		6
36	7532-1	Handle, Catcher Lift	2	F540	1/4-20 x 1-3/4 PPHMS, SS		1
37	7511-6	Chute Cover	1	* Service Part Only			
38	7557-1	7.0. Wire Harness Channel	1	** This screen can be replaced by P/N 7512-7 Removable Screen (3/4" holes) for improved air flow performance in wet conditions.			

ELECTRICAL ASSEMBLY

ITEM NO.	PART NO.	DESCRIPTION	NO. REQ'D	ITEM NO.	PART NO.	DESCRIPTION	NO. REQ'D
Electrical Assembly				Fasteners			
1	7834-3	Wire Saddle (3 Wires)	4	F002		10-24 Keps Nut	8
2	5942-11	Delta Hex Nut	1	F004		1/4-20 Keps Nut	8
3	5942-9	Safety Switch (NO), Delta Threaded	1	F013		3/8-16 Whiz Locknut	2
4	5832	Cable Clamp (1/2)	3	F019		1/4-20 ESNA Wing Nut	2
5	5975-1	Cable Tie (18# x 3-3/4")	3	F025		10-24 x 3/8 PPHMS	1
6	8404-8	Plastic Cover, Red	3	F026		10-24 x 1/2 PPHMS	5
7	8941	Circuit Breaker (30 Amp) (Auto Reset/Sealed)	1	F027		10-24 x 5/8 PPHMS	2
8	6922	Battery Cable (+)	1	F029		1/4-20 x 1/2 Hex Bolt	2
9	4929	Starter Solenoid	1	F031		1/4-20 x 5/8 Hex Bolt	2
10	6681-23	Plastic Cap, Black	2	F050		1/4 SAE Washer	2
11	4940-15	30A Fuse, Jumper Wire Assembly	1	F112		5/8 x 1-1/4 x .03 Washer	3
12	5943-8	Wire Harness Assembly	1	F146		1/4-20 Jam Nut	1
13	5835-4	Cable Clamp (1/2), .343 Hole	1	F182		1/4 x 5/8 x 1/8 Washer	2
14	5942-10	Safety Switch (NC), Delta Side Mount	1	F187		1/4-20 x 1-1/2 Hex Bolt	1
15	5942-8	Safety Switch (NO), Delta Side Mount	1	F211		1/4-20 x 7/8 Hex Bolt	1
16	4024-13	Safety Switch Plate	1	F232		10-32 Keps Nut	2
17	6942	Relay Switch 20/40 Amp (NC)	3	F306		3/8-16 x 3/4 Hex Bolt	2
18	8990-1	Hourmeter (Global)	1	F349		Washer .835 ID 1.122 OD, SS	1
19	8960-15	Ignition Switch (With Keys) (Includes Items # 20, 21 & F349)	1	F505		6-32 x 7/8 Hex Trim MS, SS	4
20	7854	Plastic Tip / Red	1	F506		6-32 Nylock Nut	4
21	8960-3	Key Set W/Umbrella	1	NOTE: Refer to ELECTRICAL CONNECTORS , Page 26, for identification of all Electrical Wiring Service Parts.			
22	7941-3	Boot, Circuit Breaker	1	NOTE: Decals for this assembly are not shown here. Refer to TRACTOR DECALS , Page 2, for Decal listing and placement information.			
23	7941-8	Circuit Breaker (5 Amp)	1				
Battery Assembly							
24	5844-3	Battery Hold-Down Bar	1				
25	5839	Hook Bolt	2				
26	5933	Battery Terminal Insul., Red (+)	1				
27	4940-8	Started Solenoid Cable	1				
28	NS	Battery (12V/300.CA/Wet)	1				
29	6390-3	Battery Pan	1				
30	6923	Battery Cable (-)	1				
31	5932	Battery Terminal Insul., Black (-)	1				

ELECTRICAL ASSEMBLY



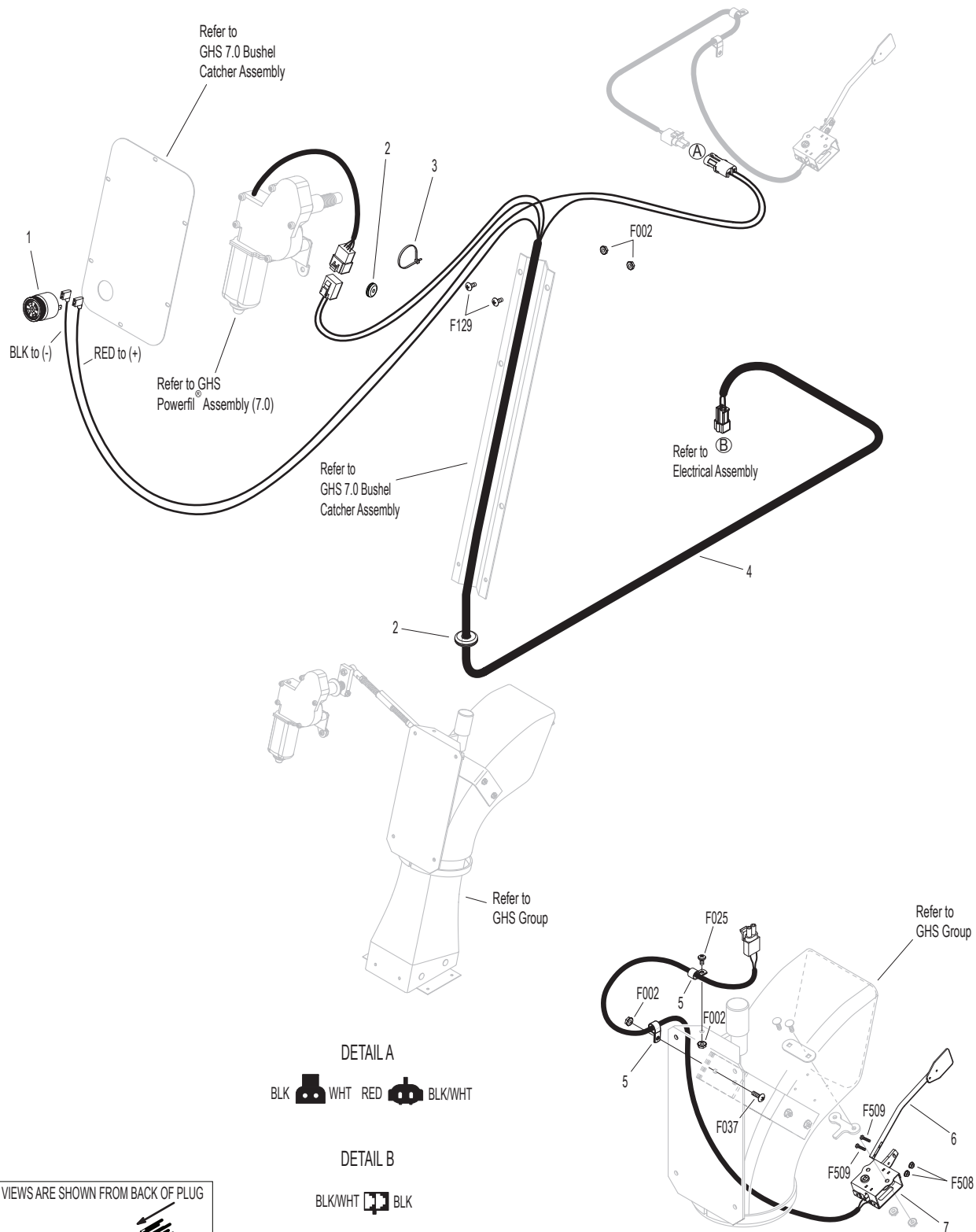
DETAIL A	DETAIL B	DETAIL C	DETAIL D	DETAIL E	DETAIL F
 BLK RED WHT YEL	 PUR/WHT PUR/RED	 BRN/BLU BRN/BLU	 BRN/WHT BLK	 RED/PUR/RED YEL BLK/BLK YEL	 BLK/BLK BRN BLK/BLK WHT/WHT
 PUR/WHT PUR/RED BLK ORG BRN/WHT ORG/WHT	 RED/WHT ORG	 PUR/WHT PUR/RED	 BLK ORG/WHT		

Beginning S/N 148901
 Use only genuine **Walker**® replacement parts.

ELECTRICAL ASSEMBLIES (GHS 7.0 BUSHEL COMPONENTS)

ITEM NO.	PART NO.	DESCRIPTION	NO. REQ'D	ITEM NO.	PART NO.	DESCRIPTION	NO. REQ'D
Horn & Harness Channel Assemblies				Fasteners			
1	5536-2	Horn, Full Signal	*	F002		10-24 Keps Nut	4
2	5976-2	Grommet (3/16 x 3/4)	2	F025		10-24 x 3/8 PPHMS	1
3	5975-1	Cable Tie (18# x 3-3/4")	1	F037		10-24 x 5/8 PTH Screw	1
Harness & Grass-Pak® Switch Assemblies				F129		10-24 x 1/2 PTHMS	2
4	8950-4	Powerfil Wire Harness (7.0/10.0)	1	F508		4-40 Keps Nut, SS	2
5	5833	Cable Clamp (1/4)	2	F509		4-40 x 1/2 Hex Head, SS	2
6	5594-6	Aluminum Shaft & Vane Assembly	1	* Service Part Only			
7	5592-20	Grass-Pak® Switch Assembly	1	NOTE: Refer to ELECTRICAL CONNECTORS , Page 26 for identification of all Electrical Wiring Service Parts.			

ELECTRICAL ASSEMBLIES (GHS 7.0 BUSHEL COMPONENTS)

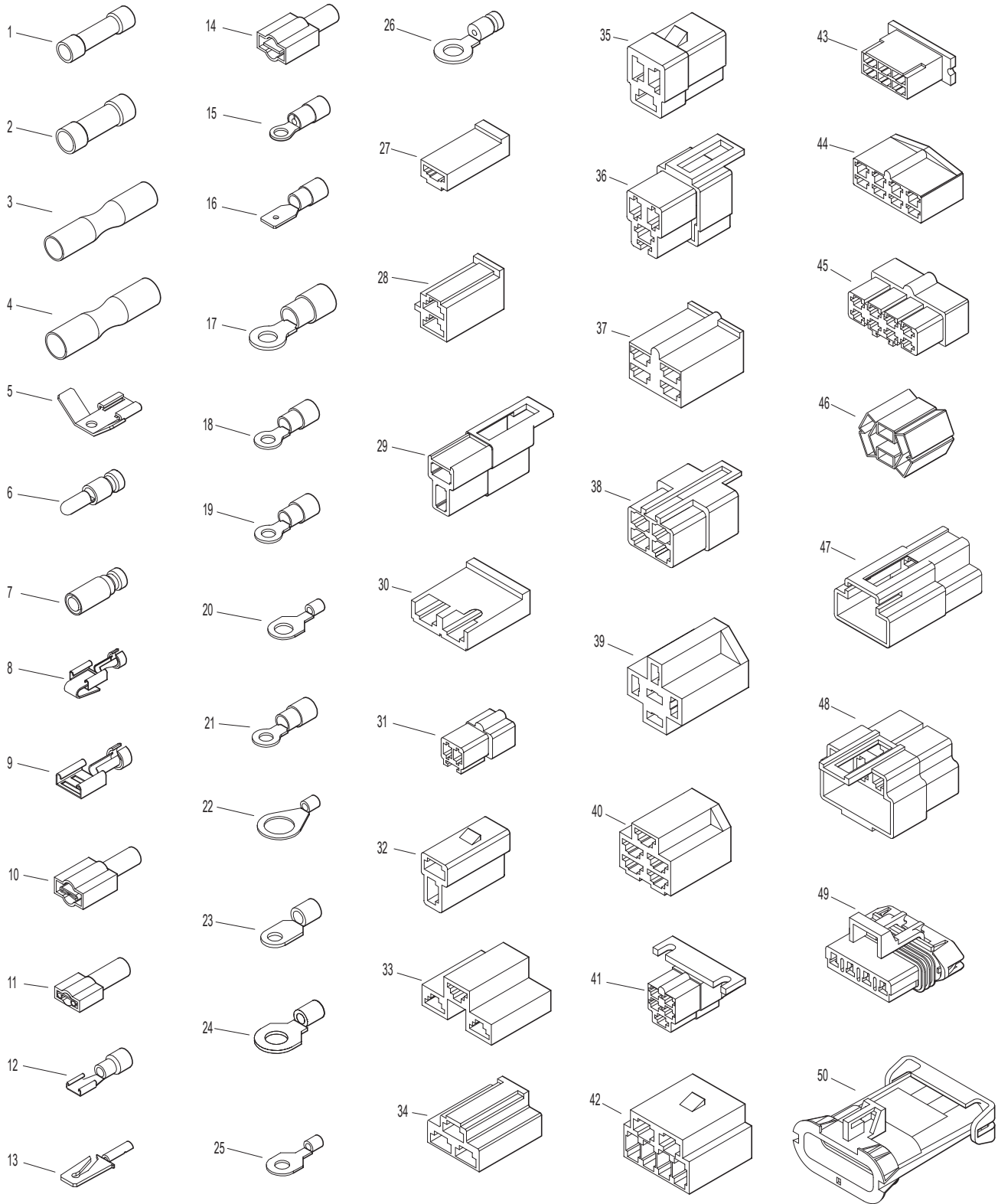


Beginning S/N 148901
 Use only genuine **Walker**® replacement parts.

ELECTRICAL CONNECTORS

ITEM NO.	PART NO.	DESCRIPTION	NO. REQ'D	ITEM NO.	PART NO.	DESCRIPTION	NO. REQ'D
Electrical Wiring Service Parts				29	7942-1	2-Way Locking Connector, Female	*
1	5996-1	16-14 GA Butt Connector	*	30	7942-2	2-Way Connector, Male	*
2	5996-11	12-10 GA Butt Connector	*	31	7942-3	2-Way Connector, Female	*
3	7942-14	16-14 GA Shrink Connector	*	32	7942-10	2-Way Locking Connector, Male	*
4	7942-13	12-10 GA Shrink Connector	*	33	5940-8	3-Way Connector, Male	*
5	5995-1	Wire Terminal Adapter	*	34	7942-9	3-Way Connector, Male	*
6	5996-4	16-14 GA Bullet Conn., Male	*	35	8944	3-Way Locking Connector, Male	*
7	5996-5	16-14 GA Bullet Conn., Female	*	36	8944-1	3-Way Locking Connector, Female	*
8	5940-4	16-14 GA Spg. Loaded Term., Female	*	37	7942-11	4-Way Connector, Male	*
9	5940-7	Wire Clip, Female	*	38	7942-12	4-Way Connector, Female	*
10	5996	1/4 x 16-14 GA QDF Terminal	*	39	7942-5	5-Way Connector, Male	*
11	5996-2	3/16 x 22-18 GA QKS Term., Female	*	40	5940-2	5-Way Connector, Male	*
12	7996	16-14 GA QKS Term., Female	*	41	8942-1	5-Way Connector, Female	*
13	5940-5	16-14 GA Spg. Loaded Term., Male	*	42	7942-6	6-Way Connector, Male	*
14	5996-0	1/4 x 22-18 GA QKS Term., Male	*	43	7942-7	6-Way Connector, Male	*
15	5996-18	16-14 GA Ring Term. (#8) Nylon Insulated	*	44	7942-8	8-Way Connector, Male	*
16	7996-1	1/4 x 16-14 GA QKS Term., Male	*	45	8942-2	8-Way Connector, Female	*
17	5996-8	6 GA Ring Lug (5/16) Insulated	*	46	8942-3	5-Way Connector, Male	*
18	5996-9	22-18 GA Ring Term. (#10)	*	47	5940-9	3-Way Connector (M)	*
19	5996-10	16-14 GA Ring Term. (5/16) Insulated	*	48	7942-15	6-Way Connector (Female)	*
20	5996-12	12-10 GA Ring Term. (5/16)	*	49	7940-3	Packard Plug (Male)	*
21	5996-13	16-14 GA Ring Term. (#10) Insulated	*	50	7940-4	Packard Plug (Female)	*
22	5996-15	12-10 GA Ring Term. (1/2)	*	* Service Part Only			
23	5996-16	6 GA Ring Terminal (1/4)	*	NOTE: Not all Electrical Connectors are used with all assemblies.			
24	5996-17	16-14 GA Ring Term. (1/4)	*	NOTE: Refer to ELECTRICAL ASSEMBLY , Page 22, for locations of Wiring Harness, Electrical Components and of all Electrical Wiring Service Parts.			
25	5996-20	12-10 GA Ring Term. (1/4) Insulated	*				
26	5996-21	12-10 GA Ring Term. (#10) Insulated	*				
27	7942-4	Single Connector, Male	*				
28	8942	2-Way Connector, Male	*				

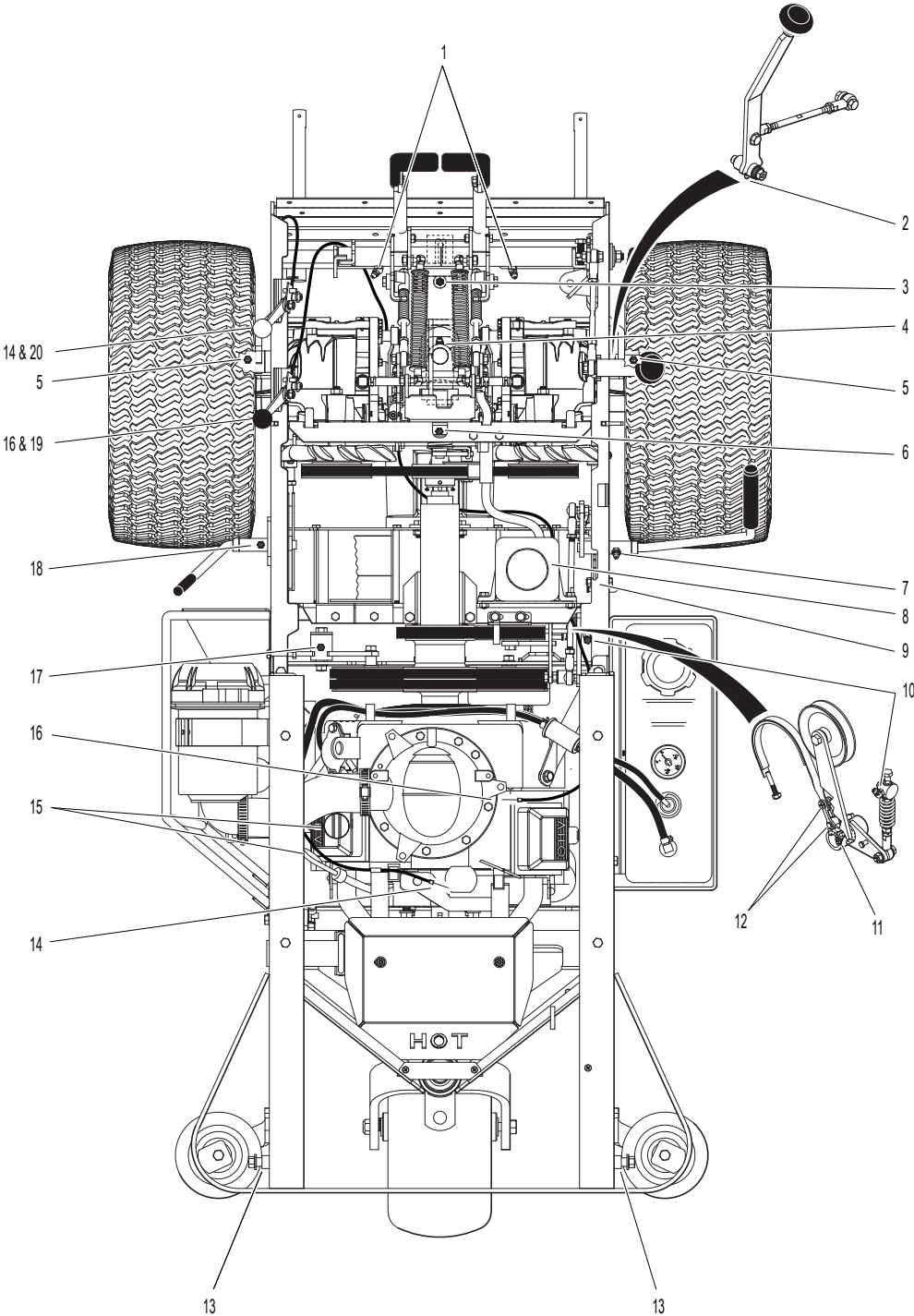
ELECTRICAL CONNECTORS



LUBRICATION POINTS

ITEM NO.	LOCATION	LUBRICATION TYPE	NO. PLACES	ITEM NO.	LOCATION	LUBRICATION TYPE	NO. PLACES
Lubrication Points				13	Catcher Hinge Point	Oil	2
1	Steering Lever Pivot	Grease	2	14	Throttle Control Cable Ends	Oil	2
2	FSC Lever Pivot	Grease	1	15	Engine Dipstick / Oil Filler	Oil**	1
3	Deck-to-PTO Coupling (Grease Spline Slide Area)	Grease	1	16	Choke Control Cable Ends	Oil	2
4	Universal Joint Tube Assembly	Grease*	1	17	Engine Idler Pivot	Grease	1
5	Deck Support Arm Pivot	Grease	2	18	Parking Brake Lever	Grease	1
6	Hydro Idler Pivot	Grease	1	19	Choke Control Pivot	Oil	1
7	PTO Clutch Lever Pivot	Grease	1	20	Throttle Control Pivot	Oil	1
8	Transaxle Oil Reservoir	Oil/20W-50	1	* Grease every 25 hours.			
9	Body Latch Pivot	Oil	1	** Refer to S18 Operator's Manual for procedure for checking and changing oil in Engine Crankcase.			
10	Clutch Actuator Push Rod (Grease Slide Area)	Grease	1	NOTE: See Model S18 Operator's Manual (5000-33) for proper lubrication intervals.			
11	PTO Belt Tightener Pivot	Grease	1				
12	Brake Band Pivot Pins (Clevis)	Oil	2				

LUBRICATION POINTS



WIRING SCHEMATIC

WALKER MODEL S18 Beginning S/N 2018-148901

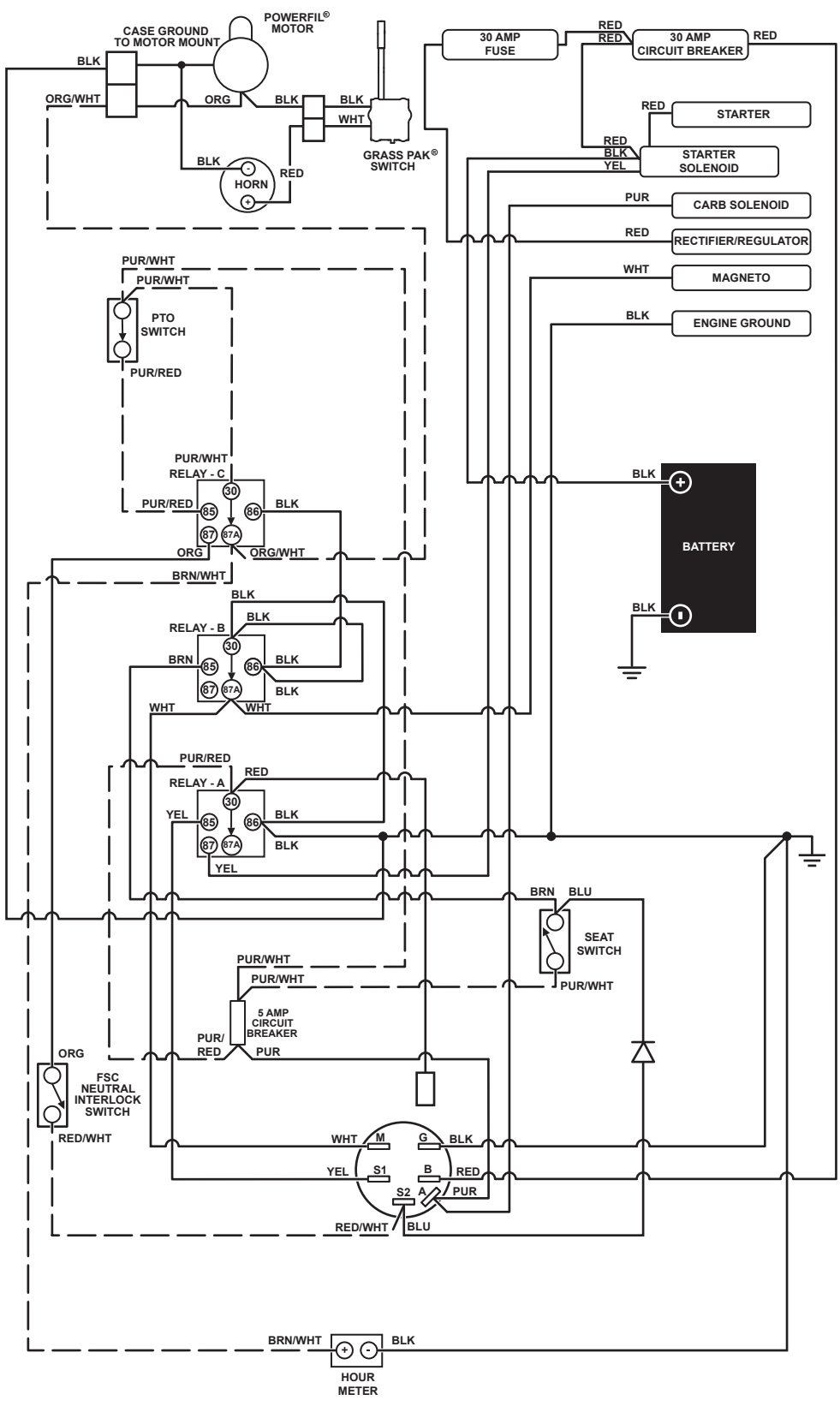
IGNITION SWITCH CIRCUITS	
OFF	G + M
START	B + A / S1 + S2
RUN	B + A

S1 = START CIRCUIT
 S2 = START/ACCESSORY CIRCUIT
 M = MAGNETO GROUND CIRCUIT
 B = BATTERY CIRCUIT
 A = ACCESSORY CIRCUIT
 G = GROUND CIRCUIT

RELAY - A	
START RELAY	
OFF	30 + 87A
START	30 + 87
RUN	30 + 87
PTO ON	30 + 87A

RELAY - B	
IGNITION RELAY	
OFF	30 + 87A
START	30 + 87
RUN	30 + 87
PTO ON	30 + 87A

RELAY - C	
PTO INTERLOCK RELAY	
OFF	30 + 87A
START	30 + 87
RUN	30 + 87
PTO ON	30 + 87



LIMITED WARRANTY FOR WALKER MODEL S18 RIDER MOWER

1. WHAT THIS WARRANTY COVERS, AND FOR HOW LONG:

Walker Manufacturing company will, at its option, repair or replace, without charge, any part covered by this warranty which is found to be defective in material and/or workmanship within one (1) year* after date of sale to the original retail purchaser unless the product is used for rental purposes, in which case this warranty is limited to ninety (90) days. At Walker's request, customer will make the defective part available for inspection by Walker and/or return the defective part to Walker, transportation charges prepaid. All parts and components of the Walker Mower are covered by this warranty **except** the following components which are warranted separately by their respective manufacturers:

Briggs & Stratton Engine
Battery

The available warranties covering these items are furnished with each mower. Walker does not assume any warranty obligation, liability or modification for these items, which are covered exclusively by the stated warranty of the respective manufacturers noted above.

* A two (2) year or 2000 hour (whichever comes first) warranty is offered for Hydro-Gear ZT3100 hydrostatic transmissions; covers full cost of replacement up to 1000 hours of use, and after 1000 hours warranty coverage is prorated against 2000 hours.

2. WHAT THIS WARRANTY DOES NOT COVER:

- A. This warranty does not cover defects caused by depreciation or damage caused by normal wear, accidents, improper maintenance, improper use or abuse of the product, alterations, or failure to follow the instructions contained in the Operator's Manual for operation and maintenance.
- B. The customer shall pay any charges for making service calls and/or for transporting the mower to and from the place where the inspection and/or warranty work is performed.

3. HOW TO OBTAIN SERVICE UNDER THIS WARRANTY:

Warranty service can be arranged by contacting the dealer where you purchased the mower or by contacting Walker Manufacturing Company, 5925 East Harmony Road, Ft. Collins, CO 80528. Proof of the date of purchase may be required to verify warranty coverage.

4. WARRANTY LIMITATION:

- A. **THERE IS NO OTHER EXPRESS WARRANTY. ANY WARRANTY THAT MAY BE IMPLIED FROM THIS PURCHASE INCLUDING MERCHANTABILITY AND FITNESS FOR A PARTICULAR PURPOSE IS HEREBY LIMITED TO THE DURATION OF THIS WARRANTY AND TO THE EXTENT PERMITTED BY LAW ANY AND ALL IMPLIED WARRANTIES ARE EXCLUDED.** Some states do not allow limitations on how long an implied warranty lasts, so the above limitations may not apply to you.
- B. **WALKER WILL NOT BE LIABLE FOR ANY INCIDENTAL, CONSEQUENTIAL, OR SPECIAL DAMAGES AND/OR EXPENSES IN CONNECTION WITH THE PURCHASE OR USE OF THE MOWER.** Some states do not allow the exclusion or limitation of incidental or consequential damages, so the above limitation(s) or exclusion(s) may not apply to you.
- C. Only the warranty expressed in this limited warranty shall apply and no dealer, distributor, or individual is authorized to amend, modify, or extend this warranty in any way. Accordingly, additional statements such as dealer advertising or presentations, whether oral or written, do not constitute warranties by Walker, and should not be relied upon.
- D. This warranty gives you specific legal rights, and you may also have other rights which vary from state to state.



WALKER

WALKER MFG. CO. • 5925 E. HARMONY ROAD, FORT COLLINS, CO 80528 • (970) 221-5614
FORM NO. 062618 PRINTED IN USA www.walker.com ©2018 WALKER MFG. CO