

WALKER

Illustrated Parts Manual

R21



DRAFT 07/16/2019

Beginning S/N: 158429
P/N 1000

KEY TO ABBREVIATIONS USED IN THIS MANUAL

<i>Abbreviation</i>	<i>What it Represents</i>
° (Dimension)	Degrees (Angle)
" (Dimension)	inches
(-)	Negative (Polarity)
(+)	Positive (Polarity)
AT	All-Terrain
CCW	Counter-clockwise
Conn.	Connector
CW	Clockwise
D	Diameter
DC	Deck, Collection (number refers to size in inches)
DM	Deck, Mulching (number refers to size in inches)
DR	Deck, Rear Discharge (number refers to size in inches)
DS	Deck, Side Discharge (number refers to size in inches)
DU	Garlock (Bearing)
ESNA (Fastener)	Nylon Insert Locknut
FSC	Forward Speed Control
GA	Gauge
gal.	gallon
GHS	Grass Handling System
GR (Fastener)	Grade
HD	Heavy Duty
HP	Horse Power
ID	Identification or Inside Diameter
L	Length
LH	Left Hand (orientated with operator on seat)
LP	Low Profile
mm (Dimension)	millimeters
MS (Fastener)	Machine Screw
NS (as part number)	Item is not sold by Walker Manufacturing
OD	Outside Diameter
oz.	ounce
PFH (Fastener)	Phillips Flat Head
P/N	Part Number
PPH (Fastener)	Phillips Pan Head
PTH (Fastener)	Phillips Truss Head
PTO	Power Take-Off
QKS	Quick Slide
qt.	quart
RH	Right Hand (orientated with operator on seat)
SAE (Fastener)	Society of Automotive Engineers
SBH (Fastener)	Socket Button Head (Bolt)
SD	Side Discharge
SFH (Fastener)	Slotted Flat Head
SHC (Fastener)	Socket Head Cap
SHL (Fastener)	Shoulder (Bolt)
SM (Fastener)	Sheet Metal (Screw)
S/N	Serial Number
Spg.	Spring
SQH (Fastener)	Square Head
SS (Fastener)	Stainless Steel
ST (Fastener)	Self-Tapping (Screw)
Term.	Terminal
V	Volts

NOTE: In some instances, combinations of abbreviations may be used (e.g. PPHMS, Phillips Pan Head Machine Screw).

DRAFT 07/16/2019

Beginning S/N 158429
Use only genuine Walker® replacement parts.

ILLUSTRATED PARTS LIST

<i>Section of Tractor Covered</i>	<i>Page</i>	<i>Section of Tractor Covered</i>	<i>Page</i>
Decals		Decks and Carrier Frames	
Tractor Decals	2	DS42-R Complete Carrier Frame Assembly	16
Body / Chassis Assemblies		DS42-R Deck Assembly.....	18
Body / Chassis Assembly.....	4	DS48-R Complete Carrier Frame Assembly	20
Tractor Components		DS48-R Deck Assembly.....	22
Main Component Power Transmission	6	Maintenance	
Engine Group.....	8	Lubrication Points	24
Hydrostatic and Brake Assemblies.....	10	Wiring Schematic.....	26
Steering Control Assemblies.....	12	Maintenance And Service Record Sheet.....	27
Electrical Components		Warranty	
Electrical Assembly	14	Limited Warranty	29

DRAFT 07/16/2019

Beginning S/N 158429
Use only genuine Walker® replacement parts.

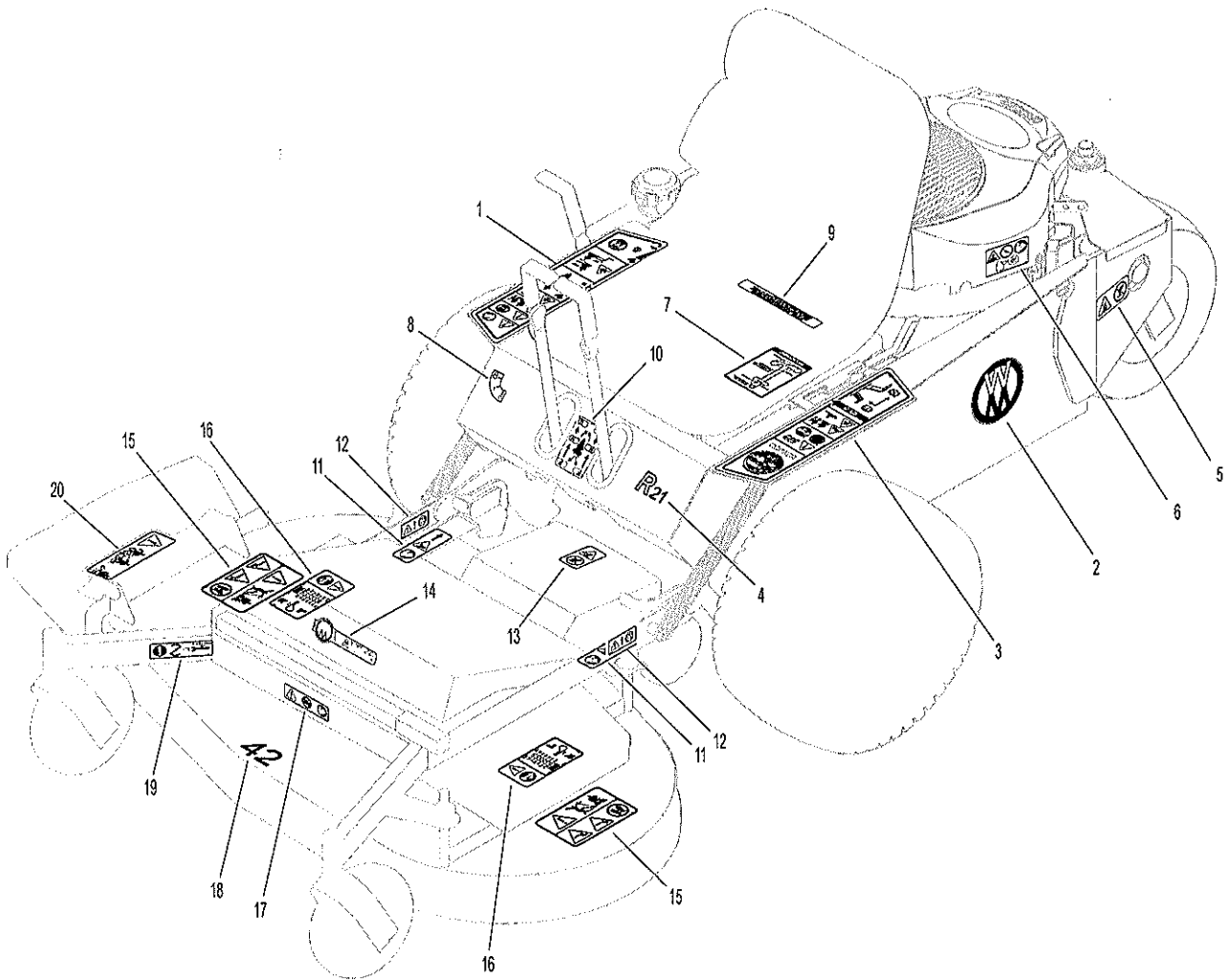
TRACTOR DECALS

ITEM NO.	PART NO.	DESCRIPTION	LOCATION	NO. REQ'D
Walker Product and Operation Decals				
1	8600-52	RH Fender	Chassis, RH Side Near Seat	1
2	5800-9	Decal, Walker Round (4-3/4")	Chassis, LH Side	1
3	8600-53	LH Fender	Chassis, LH Side Near Seat	1
4	8821-28	Decal, R21	Chassis, Front	1
Danger Decals Warning Decals Caution Decals				
5	8600-5	Caution, Engine Exhaust	Rear Chassis, LH Side	1
6	8600-12	Caution, Engine Exhaust	Engine, LH Side	1
7	1600-1	Decal, Belt Routing	Seat Pan, Underside	1
Maintenance Decals				
8	8600-54	Decal, Ignition Switch	Chassis, Front	1
9	5855	Important, Engine Cooling	Engine	1
10	1600-2	Decal, Steering Lever	Chassis, Front	1
DS42-R & DS48-R Deck Decals				
11	8600-57	Caution, Pinch Point	Carrier Frame	2
12	1600-3	Danger, Tilt-Up	Carrier Frame	2
13	8600-55	Belt Danger	Drive Belt Guard	1
14	5809-2	Decal, Walker	Footrest, Front	1
15	8600-28	Danger, Rotating Blades	Deck Housing (one on each end)	2
16	1600-4	Deck Height Adjustment	Belt Cover (one on each end)	2
17	8600-14	Danger, Tilt-Up	Carrier Frame, Front	1
18	8821-15	Decal (42")	Deck Housing	1
	8821-16	Decal (48")	Deck Housing	1
19	8600-56	Blade Mounting Torque	Carrier Frame	1
20	5848-3	Danger, Side Discharge Shield	Side Discharge Shield	1

NOTE: All parts requiring decals are shipped with decals applied.

DRAFT 07/16/2019

TRACTOR DECALS



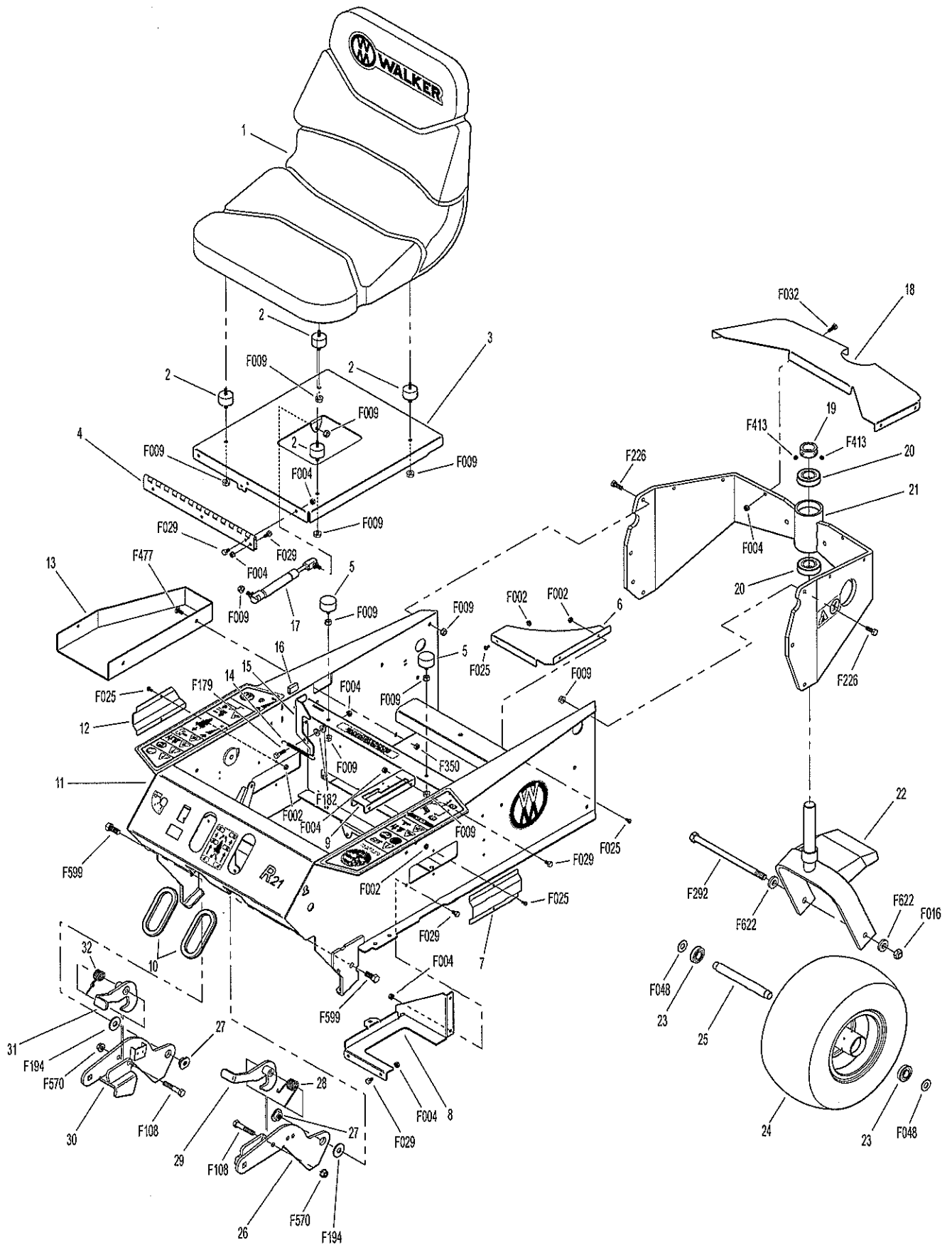
DRAFT 07/16/2019
Beginning S/N 158429
Use only genuine Walker® replacement parts.

BODY / CHASSIS ASSEMBLY

ITEM NO.	PART NO.	DESCRIPTION	NO. REQ'D	ITEM NO.	PART NO.	DESCRIPTION	NO. REQ'D
Seat Assembly				Deck Support Arm & Hitch Assemblies			
1	5103-3	Seat W/Switch	1	26	1431-1	Deck Support Arm, LH	1
2	7440-11	Shock Mount (1-1/4 x 3/4)	4	27	5840-2	Support Arm Bushing	2
3	5103-11	Seat Pan	1	28	7364-5	Torsion Spring, LH	1
4	4504-1	Hinge (13-1/2")	1	29	1431-3	Deck Arm Latch, LH	1
Body Assembly				30	1431-2	Deck Support Arm, RH	1
5	7845-1	Rubber Bumper (1.375 x .750)	2	31	1431-4	Deck Arm Latch, RH	1
6	1300-10	Solenoid Guard	1	32	7364-4	Torsion Spring, RH	1
7	1300-5	Hydro Fan Cover, LH	1	Fasteners			
8	1910	Battery Mount Plate	1	F002	10-24 Keps Nut		7
9	1406-1	Parking Brake Bracket	1	F004	1/4-20 Keps Nut		17
10	5180	Edge Molding, Lever Opening	2	F009	5/16-18 Whiz Locknut		16
11	1300-40	Chassis Frame	1	F016	1/2-13 Self-Locking Nut		1
12	1300-2	Hydro Fan Cover, RH	1	F025	10-24 x 3/8 PPHMS		7
13	1046	Gas Tank Mount	1	F029	1/4-20 x 1/2 Hex Bolt		10
14	7222	Extension Spring (1/4 x 3)	1	F032	1/4-20 x 3/4 Hex Bolt		6
15	1383	Seat Latch	1	F048	1/2 SAE Washer		2
16	5847	Plastic Tip	1	F108	3/8-16 x 2 Hex Bolt		2
17	5145-4	Gas Spring Assembly	1	F179	1/4-20 x 1 Hex Bolt		1
Rear Chassis Assembly				F182	1/4 x 5/8 x 1/8 Washer		2
18	1013-1	Muffler Guard	1	F194	7/16 x 1-1/4 x 1/8 Washer		2
19	5267-1	Retainer Collar (1") (Includes Item # F413)	1	F226	5/16-18 x 7/8 Hex Bolt		6
20	5270-1	Pivot Bearing	2	F292	1/2-13 x 8-1/2 Hex Bolt, Grade 5		1
21	1300-41	Rear Chassis	1	F350	1/4-20 LP Nylock		2
22	5420-3	Tail Wheel Fork	1	F413	5/16-24 x 5/16 Set Screw		2
23	5037-1	Bearing, Tail Wheel	2	F477	1/4-20 x 5/8 Carriage Bolt		2
24	5035	Tail Wheel & Tire Assembly (13 x 6.50-6)	1	F570	3/8-16 Flange Top Lock Nut		2
	5035-1	Tail Wheel Tire (13 x 6.50-6)	*	F599	7/16-20 x 1 Hex Bolt		2
	5036	Tail Wheel & Hub (6 x 4.5)	*	F622	Washer 1/2 x 1.062 x .190		2
25	5038-1	Axle Spacer Tube (6-5/8)	1	* Service Part Only			

DRAFT 07/16/2019

BODY / CHASSIS ASSEMBLY



DRAFT 07/16/2019

Beginning S/N 158429
Use only genuine Walker® replacement parts.

MAIN COMPONENT POWER TRANSMISSION

ITEM NO.	PART NO.	DESCRIPTION	NO. REQ'D	ITEM NO.	PART NO.	DESCRIPTION	NO. REQ'D
PTO Drive Assembly				Fasteners			
1	1410	Clutch	1	F004		1/4-20 Keps Nut	6
2	1410-2	Clutch Step Washer	1	F009		5/16-18 Whiz Locknut	2
3	1010-2	Spacer (.750 x .375 x .625)	2	F013		3/8-16 Whiz Locknut	4
4	1300-3	Twin Idler Mount, LH	1	F029		1/4-20 x 1/2 Hex Bolt	4
5	5247-2	V-Groove Idler (4")	2	F031		1/4-20 x 5/8 Hex Bolt	2
6	5245-2	Idler Pulley (3-1/4)	2	F040		3/8-16 x 1-1/2 Hex Bolt	4
7	1300-4	Twin Idler Mount, RH	1	F049		5/16 SAE Washer	2
8	1410-1	Clutch Stop	1	F051		3/8 SAE Washer	8
				F438		5/16-18 x 2-3/4 Hex Bolt	2
				F626		7/16-20 x 2-1/2 Hex Bolt Grade 8	1

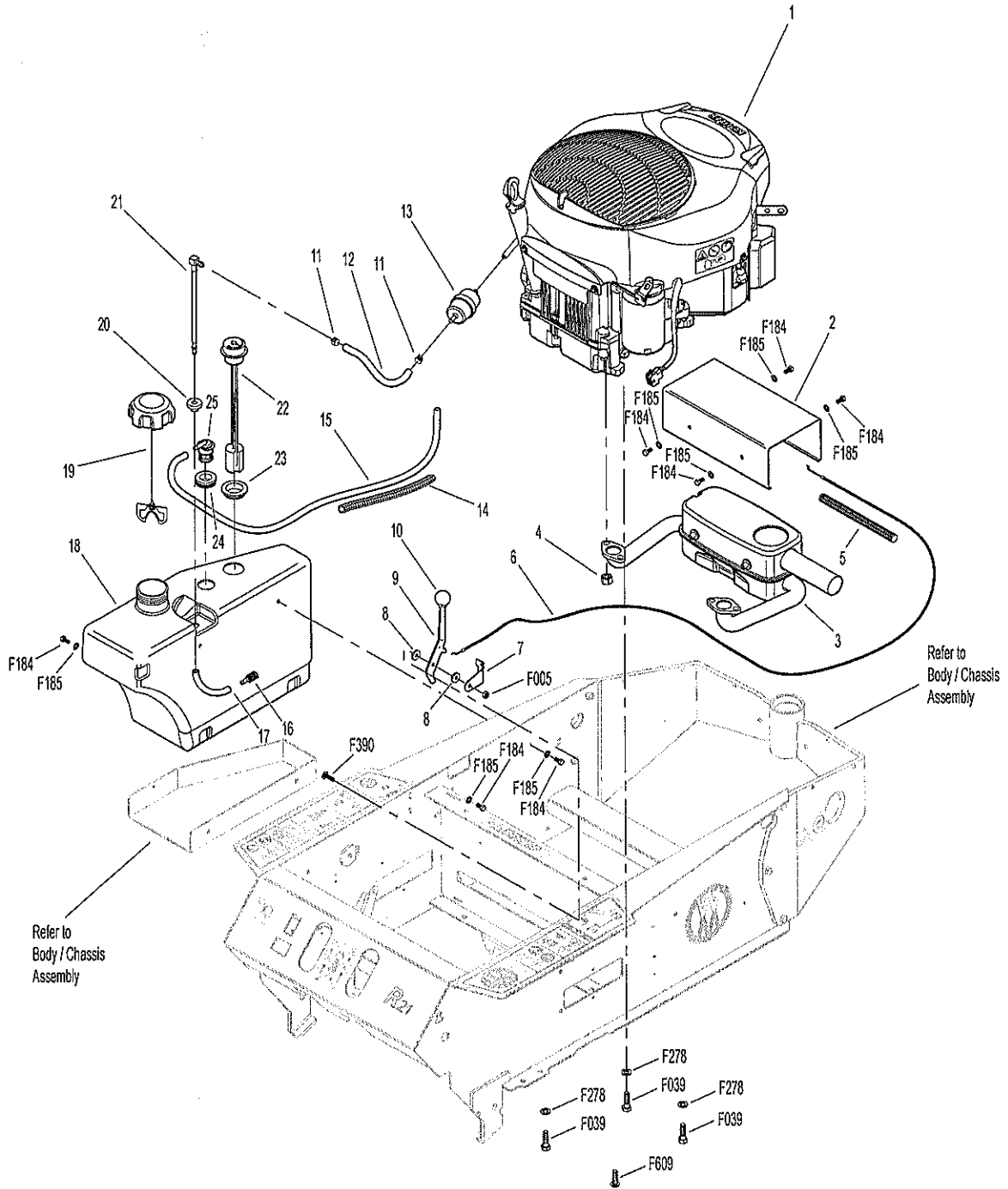
DRAFT 07/16/2019

ENGINE GROUP

ITEM NO.	PART NO.	DESCRIPTION	NO. REQ'D	ITEM NO.	PART NO.	DESCRIPTION	NO. REQ'D
Engine Assembly				Fasteners			
1	NS	21 HP Engine (Kohler)	1	F005		1/4-20 ESNA Nut	1
2	1013-2	Muffler Heat Shield	1	F039		3/8-16 x 1-1/4 Hex Bolt	3
3	1013	Muffler	1	F184		1/4-20 x 1/2 Hex Bolt, SS	7
4	NS	Nut (Kohler)	2	F185		1/4 Internal Star Lock Washer, SS	7
				F278		3/8 Split Lock Washer	3
				F390		1/4-20 x 7/8 Carriage Bolt	1
				F609		3/8-16 x 1-1/4 Button Head Cap Screw	1
Throttle Assembly				* Required hose specifications:			
5	M265	Insultherm (3/8 x 10)	1	M113 - 3/16" ID fuel/oil/vapor hose (Gates 4219-0093 or equivalent)			
6	1108-1	Throttle Cable (45")	1	M246 - 1/4" ID low permeation (<15g/m ² /day) fuel hose (Parker 38904 or equivalent)			
7	5108-21	Control Bracket	1				
8	5108-10	Friction Washer (.125)	2				
9	5108-20	Control Lever, Throttle	1				
10	5108-5	Throttle Control Knob, Red	1				
Fuel Tank Assembly							
11	5879-3	Hose Clamp (1/2)	2				
12	M246	Fuel Line (1/4 x 6")	1*				
13	5020-3	Fuel Filter	1				
14	M265	Insultherm (3/8 x 12)	1				
15	M113	Fuel Line (3/16 x 31")	1*				
16	5020-2	Fuel Filter, In Tank	1				
17	5086-7	Hose (1/4 x 6)	1				
18	6045-10	Fuel Tank, 3.0 Gallon (Includes Items # 16, 17 & 21-25)	1				
19	5082-4	2-1/4 Ratchet Fuel Cap (EPA)	1				
20	5083-1	Bushing, Rubber (Fits 5083)	1				
21	5083-7	Tank Tube (8-1/2")	1				
22	6045-1	Fuel Tank Gauge	1				
23	6045-2	Fuel Gauge Grommet	1				
24	5977-7	Roll Over Grommet (.900 x 1-1/2)	1				
25	8043-8	Roll Over Valve	1				

DRAFT 07/16/2019

ENGINE GROUP



DRAFT 07/16/2019

Beginning S/N 158429
Use only genuine Walker® replacement parts.

HYDROSTATIC AND BRAKE ASSEMBLIES

ITEM NO.	PART NO.	DESCRIPTION	NO. REQ'D	ITEM NO.	PART NO.	DESCRIPTION	NO. REQ'D	
Ground Drive Assemblies				Wheel Assembly				
1	5103-2	Pivot Bushing (5/16 ID)	3	20	5075-1	LP Wheel & Tire Assembly (18 x 8.50-10)	2	
2	1250	Drive Belt	1		5075-2	LP Tire (18 x 8.50-10)	*	
3	6240-24	Engine Pulley (3-1/2/A)	1		5075-5	LP Wheel (10 x 7)	*	
4	5025-23	Hydro-Gear EZT-2200, LH	1	Fasteners				
5	2028-6	Lockout Arm, RH	1		F005	1/4-20 ESNA Nut	1	
6	4407-4	Bow Tie Cotter Pin	3		F009	5/16-18 Whiz Locknut	7	
7	5026-23	Hydro-Gear EZT-2200, RH	1		F013	3/8-16 Whiz Locknut	5	
8	2028-5	Lockout Arm, LH	1		F015	1/2-20 Wheel Lug Nut	8	
9	5221-1	Extension Spring (3/4 x 5)	1		F040	3/8-16 x 1-1/2 Hex Bolt	1	
10	1300-6	Ground Drive Idler Arm	1		F042	3/8-16 x 2-1/4 Hex Bolt	4	
11	5245	Idler Pulley (3")	1		F049	5/16 SAE Washer	7	
Parking Brake Assembly						F051	3/8 SAE Washer	1
12	1406	Parking Brake Arm	1		F066	1/4 x 1/4 x 3/4 Key	1	
13	5850-2	Handle Grip, Foam (5-1/2)	1		F072	1/4 "E" Retainer Ring	2	
14	7410-1	Brake Control Cable, RH (36.5")	1		F182	1/4 x 5/8 x 1/8 Washer	2	
15	7523-3	Clevis Pin W/Hole (1/4 x 1/2)	1		F235	5/16-18 x 2-1/2 Hex Bolt	4	
16	1406-2	Parking Brake Clevis	2		F275	5/16-18 x 2 Hex Bolt	1	
17	7222	Extension Spring (1/4 x 3)	1		F383	1/4-20 x 2 Shear Bolt, Grade 2	1	
18	7409-1	Brake Control Cable, LH (31")	1		F623	5/16-18 x 3-3/4 Hex Bolt	1	
19	1406-3	Parking Brake Knuckle	1		F627	1/4-28 Nylock Jam Nut	2	

* Service Part Only

DRAFT 07/16/2019

STEERING CONTROL ASSEMBLIES

ITEM NO.	PART NO.	DESCRIPTION	NO. REQ'D	ITEM NO.	PART NO.	DESCRIPTION	NO. REQ'D
Forward Speed Control Assemblies				Fasteners			
1	5850-2	Handle Grip, Foam (5-1/2)	3	F004	1/4-20 Keps Nut		2
2	1170-27	FSC Lever Weldment	1	F009	5/16-18 Whiz Locknut		4
3	4219-1	Extension Spring	1	F010	5/16-24 ESNA Nut		2
4	8655-4	Clevis Pin (5/16 x 3/4)	2	F020	5/16-18 ESNA Nut		2
5	4407-4	Bow Tie Cotter Pin	1	F024	5/16-24 Jam Nut		2
6	1170-1	FSC Link	2	F044	5/16-24 x 3/4 Hex Bolt		2
7	4142-1	FSC Cam	1	F093	5/16-18 x 1 Hex Bolt		2
8	5141	FSC Friction Washer (1-1/2 x 3/8 x 1/16)	2	F111	1/8 x 3/4 Cotter Pin		1
Steering Lever Assemblies				F116	1/4-20 x 1-1/4 Hex Bolt		1
9	2212	Transmission Control Arm Stop	2	F146	1/4-20 Jam Nut		2
10	2212-3	Seal Retainer	2	F183	.312 x .700 x .074 Washer		10
11	1212-2	Transmission Control Arm, RH	1	F188	1/4-20 Self-Locking Nut		4
12	5214-4	Ball Joint (5/16-24) W/O Stud	2	F192	3/8-24 Self-Locking Nut		1
13	1212-1	Transmission Control Arm, LH	1	F198	.250 x .625 x .040 Washer, SS		2
14	5213-5	Control Rod (17")	2	F226	5/16-18 x 7/8 Hex Bolt		2
15	5665-1	Compression Spring (2-1/2)	2	F312	3/8 x 3/8 Shoulder Bolt		2
16	9704-3	Pivot Rod Bushing, Plastic	2	F345	1/4-20 x .770 Knurled Bolt		4
17	5146	10mm Ball Stud	4	F391	1/4-20 x 1/2 Set Screw, SS		2
18	4199-3	Steering Lever Dampener Assembly	2	F407	Belleville Washer 3/8 x 1.187, SS		1
19	5463-4	Steering Lever Actuator	2	F620	3/8-24 x 1-1/2 Hex Bolt		1
20	5463-6	Washer 5/16 x 3/4 x .250	2	F627	1/4-28 Nylock Jam Nut		2
21	1451-40	Steering Assembly	1				
22	5222	Extension Spring (1/2 x 3-1/4)	2				
23	5450	D-Clip	2				
24	4452-6	Steering Pivot (1/4-20 x 1-5/8)	2				
25	1452	Steering Lever Tube W/Tab	2				
26	5453-10	Steering Lever Handle, Adjustable (Includes Items # 1 & F345)	2				
27	7201-2	Fiberglide Bearing 1/2"	2				
28	5463-5	Steering Arm Pivot Bushing (SS)	2				
29	5830	Grease Fitting	2				

DRAFT 07/16/2019

ELECTRICAL ASSEMBLY

ITEM NO.	PART NO.	DESCRIPTION	NO. REQ'D	ITEM NO.	PART NO.	DESCRIPTION	NO. REQ'D
Electrical Assembly				Fasteners			
1	6940-18	Jumper Wire	1		F002	10-24 Keps Nut	11
2	5929	Starter Solenoid	1		F004	1/4-20 Keps Nut	4
3	8941	Circuit Breaker (30 Amp) Auto Reset/Sealed	1		F019	1/4-20 ESNA Wing Nut	1
4	6940-21	Ground Wire	1		F025	10-24 x 3/8 PPHMS	4
5	6940-19	Jumper Wire	1		F026	10-24 x 1/2 PPHMS	6
6	5942-8	Safety Switch (NO), Delta Side Mount	2		F029	1/4-20 x 1/2 Hex Bolt	2
7	1910-1	Battery Hold Down	1		F031	1/4-20 x 5/8 Hex Bolt	2
8	NS	Battery (12V/300CCA/Dry)	1		F050	1/4 SAE Washer	2
9	5932	Battery Terminal Insulation Black (-)	1		F232	10-32 Keps Nut	2
10	5975-1	Cable Tie (18# x 3-3/4")	3		F349	Washer .835 ID 1.122 OD, SS	1
11	5933	Battery Terminal Insulation Red (+)	1		F505	6-32 x 7/8 Hex Trim MS, SS	4
12	6942	Relay Switch (20/40 Amp) NC	2		F506	6-32 Nylock Nut	6
13	5832	Cable Clamp (1/2)	5		F527	6-32 x 3/4 Hex Trim MS, SS	2
14	6941-7	Relay Mount	*		F624	1/4-20 x 6 Carriage Bolt	1
15	6941-6	Relay Switch (20/40 Amp)	*				
16	4940-15	30A Fuse, Jumper Wire Assembly	2				
17	5942-20	Safety Switch (NO)	1				
18	4950-10	PTO Switch Spacer	1				
19	4950	PTO Switch	1				
20	8990-1	Hourmeter (Global)	1				
21	8960-15	Ignition Switch W/Keys (Includes Items # 22, 23 & F349)	1				
22	7854	Plastic Tip, Red	1				
23	8960-3	Key Set W/Umbrella	1				
24	5835	Cable Clamp (3/4)	1				
25	1940	Wire Harness	1				
26	4940-11	Jumper Wire	1				
				*	Service Part Only		

DRAFT 07/16/2019

DS42-R COMPLETE CARRIER FRAME ASSEMBLY

ITEM NO.	PART NO.	DESCRIPTION	NO. REQ'D	ITEM NO.	PART NO.	DESCRIPTION	NO. REQ'D
Carrier Frame Components				Fasteners			
1	7846	Washer (3/8 x 1-1/4 x 1/8)	2	F009	5/16-18 Whiz Locknut		5
2	8786-10	Rubber Mat (6 x 10-1/2)	2	F012	3/8-16 Keps Nut		2
3	1662	Footrest Weldment	1	F020	5/16-18 ESNA Nut		4
4	5682	Compression Spring (9/16 x 3/4)	2	F032	1/4-20 x 3/4 Hex Bolt		2
5	1661-3	Tilt Up Link Spacer	2	F034	5/16-18 x 3/4 Hex Bolt		2
6	1661-2	Tilt Up Link	2	F047	3/8-16 x 4-1/2 Hex Bolt		2
7	7775-5	Lock Pin (5/16 x 1-5/8)	1	F049	5/16 SAE Washer		4
8	5850-5	Handle Grip (1 x 1 x 3-3/4)	1	F123	1" External Snap Ring		4
9	6811-3	Tilt Bar (20")	1	F131	5/16-18 x 1/2 Hex Bolt		1
10	5740-4	Deck Pin Bushing	4	F170	5/16 x 1 x 7/64 Flat Washer (Zinc Plate)		6
11	1662-1	Tie Down Strap	1	F255	5/16-18 x 1-1/2 Hex Bolt		2
12	1660	DS42-R SD Carrier Frame	1	F275	5/16-18 x 2 Hex Bolt		2
13	8845-1	Rubber Bumper (1-1/4 x 3/4)	1	F552	Washer 1.250 x .314 x .125		2
14	5146	10mm Ball Stud	1	F591	7/16-14 Flange Top Lock Nut		2
Spring and Pivot Mount Components				F625	7/16-14 x 2 Carriage Bolt		2
15	5743-15	Extension Spring (1 x 9)	2				
16	M246	Spacer (1/4 x 1/2)	2				
Caster Wheel Components							
17	5715-20	Caster Wheel, Hollowmatic (8 x 3.00-4)	2				
18	5714-3	Axle Spacer Tube	2				
19	1770	Caster Wheel Fork	2				
20	5683-2	Pivot Bearing (.750 x 1.0)	4				
21	5830	Grease Fitting	2				

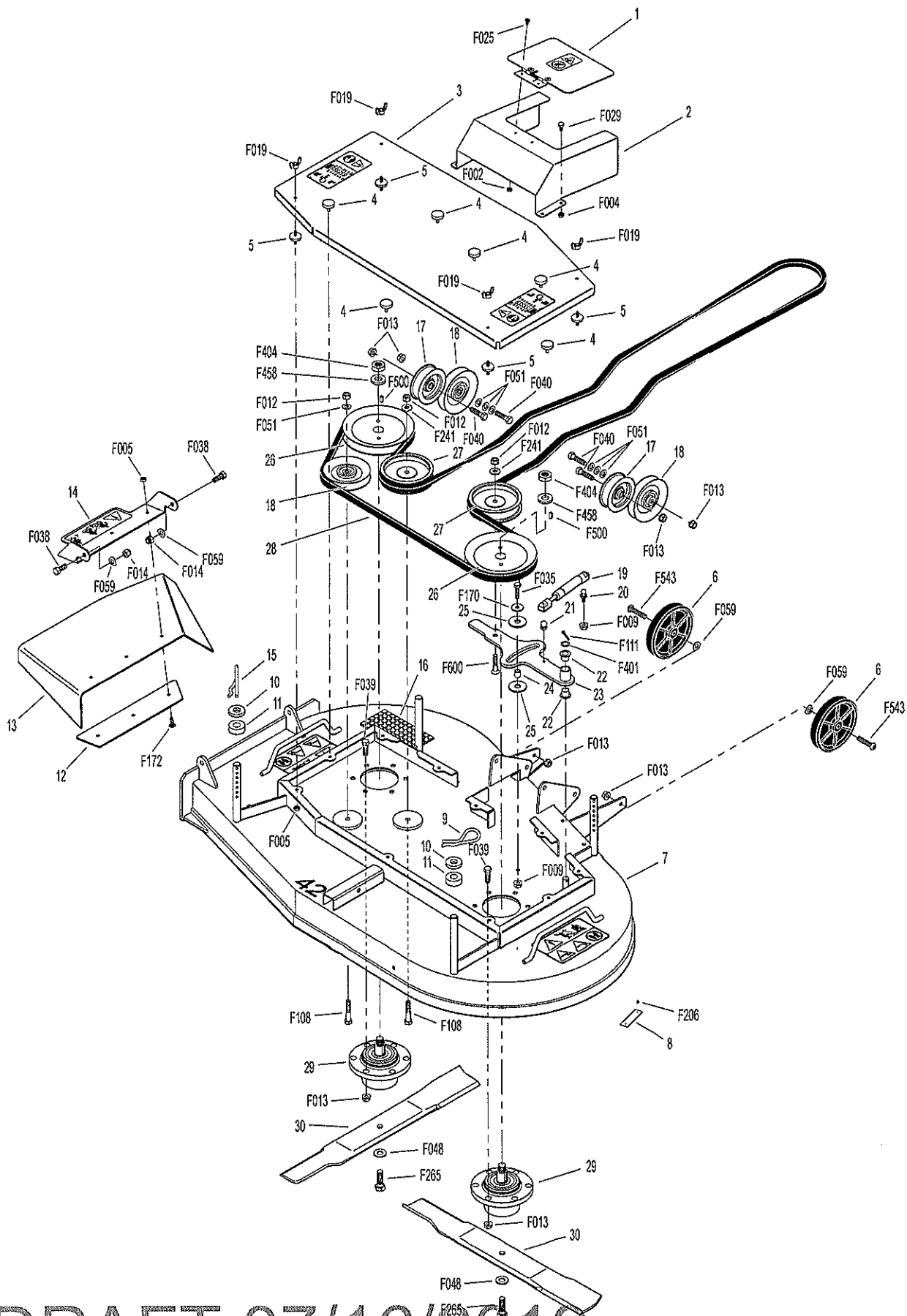
DRAFT 07/16/2019

DS42-R DECK ASSEMBLY

ITEM NO.	PART NO.	DESCRIPTION	NO. REQ'D	ITEM NO.	PART NO.	DESCRIPTION	NO. REQ'D
Deck Housing Components				Fasteners			
1	1620	Cover, Drive Belt Guard	1	F002	10-24 Keps Nut		2
2	1619	Drive Belt Guard	1	F004	1/4-20 Keps Nut		4
3	1703-1	Deck Belt Cover	1	F005	1/4-20 ESNA Nut		12
4	7307-9	Pull Through Bumper	6	F009	5/16-18 Whiz Locknut		1
5	7307-1	Shock Mount (1.0 x .25) Double Stud	4	F012	3/8-16 Keps Nut		3
6	5162-12	Roller Wheel (5" Poly) (Includes Items # F013, F059 & F543)	2	F013	3/8-16 Whiz Locknut		18
7	1703	DS42R Deck Housing	1	F014	3/8-16 ESNA Nut		2
8	NS	Deck Serial Number Plate	1	F019	1/4-20 ESNA Wing Nut		4
9	7775-1	Hitch Pin, LH (Silver) #6	2	F025	10-24 x 3/8 PPHMS		2
10	5727-1	Washer Shim (5/8 ID)	4	F029	1/4-20 x 1/2 Hex Bolt		4
11	7434-1	Washer 1-3/8 x 5/8-1/2 Thick	4	F035	5/16-18 x 1-1/4 Hex Bolt		1
12	1709-2	Back Up Plate	1	F038	3/8-16 x 1 Hex Bolt		2
13	1709-1	Discharge Shield	1	F039	3/8-16 x 1-1/4 Hex Bolt		12
14	1709	Shield Frame	1	F040	3/8-16 x 1-1/2 Hex Bolt		4
15	7775-2	Hitch Pin, RH (Gold) #6	2	F048	1/2 SAE Washer		2
16	5747-10	Rubber Mat, No-Hole (3 x 6)	1	F051	3/8 SAE Washer		7
Blade Drive Components				F059	3/8 Wave Spring Washer		4
17	5245-2	Idler Pulley (3-1/4)	2	F108	3/8-16 x 2 Hex Bolt		2
18	5247-2	V-Groove Idler (4")	3	F111	1/8 x 3/4 Cotter Pin		1
19	8762-1	Dampening Spring, Gas	1	F170	5/16 x 1 x 7/64 Flat Washer (Zinc Plate)		1
20	5146	10mm Ball Stud	1	F172	1/4-20 x 3/4 Carriage Bolt		3
21	5155-12	5/16 Ball Stud	1	F206	#2 x 3/16 Drive Pin		2
22	7620-3	Pivot Bushing (1/2 x 9/16)	2	F241	.375 x .875 x .10 Washer		2
23	1703-3	Idler Arm, R42	1	F265	1/2-20 x 1-1/2 Hex Bolt		2
24	1701-8	Bushing Sleeve	1	F401	.504 x .751 x .030 Washer		1
25	1701-2	Washer 1.5 x 5 x .125	2	F404	5/8-18 Jam Nut		2
26	6240-25	Spindle Pulley (6")	2	F458	Washer 1-1/4 x 5/8 x 3/16		2
27	5245-3	Idler Pulley (4-5/8)	2	F500	3/16 x 3/16 x 9/16 Key		2
28	1731-1	Blade Drive Belt, MR 42	1	F543	3/8-16 x 1-1/2 BH Cap Screw		2
Blade Spindle Components				F600	3/8-16 x 1-3/4 FHA Screw (Zinc)		1
29	8052-5	Blade Spindle	2				
30	7705-31	Blade 21-3/8"	2				

DRAFT 07/16/2019

DS42-R DECK ASSEMBLY



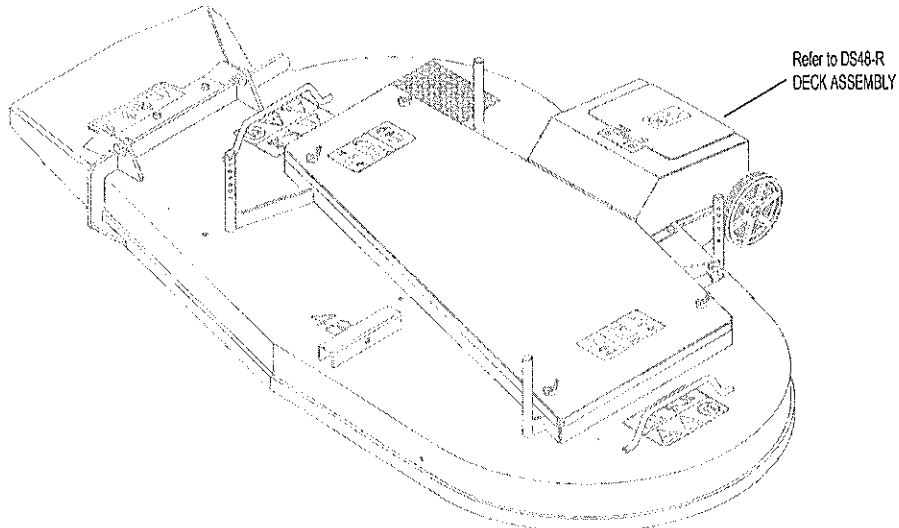
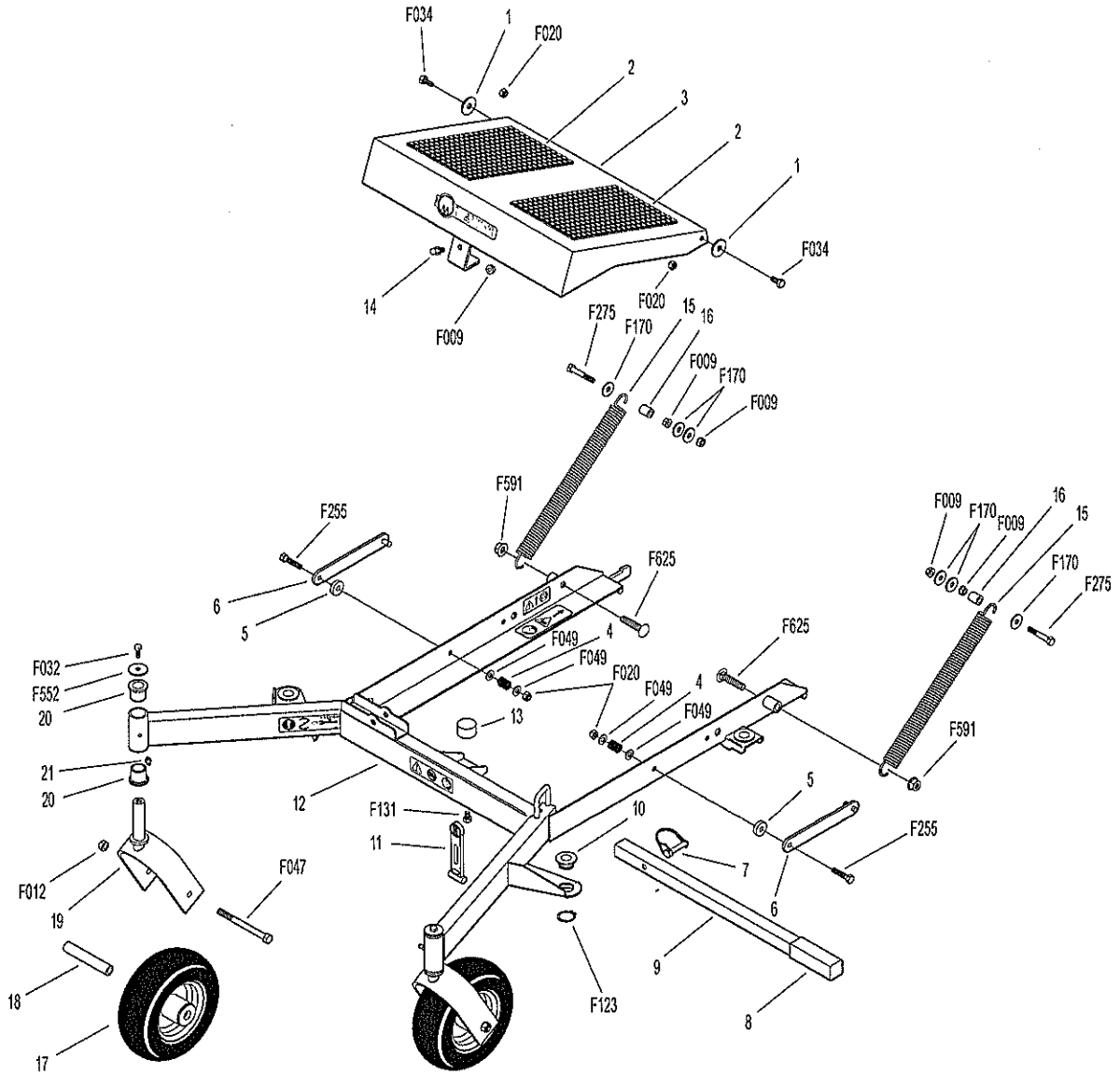
DRAFT 07/16/2019
Beginning S/N 158429
Use only genuine Walker® replacement parts.

DS48-R COMPLETE CARRIER FRAME ASSEMBLY

ITEM NO.	PART NO.	DESCRIPTION	NO. REQ'D	ITEM NO.	PART NO.	DESCRIPTION	NO. REQ'D
Carrier Frame Components				Fasteners			
1	7846	Washer (3/8 x 1-1/4 x 1/8)	2	F009	5/16-18 Whiz Locknut		5
2	8786-10	Rubber Mat (6 x 10-1/2)	2	F012	3/8-16 Keps Nut		2
3	1662	Footrest Weldment	1	F020	5/16-18 ESNA Nut		4
4	5682	Compression Spring (9/16 x 3/4)	2	F032	1/4-20 x 3/4 Hex Bolt		2
5	1661-3	Tilt Up Link Spacer	2	F034	5/16-18 x 3/4 Hex Bolt		2
6	1661-2	Tilt Up Link	2	F047	3/8-16 x 4-1/2 Hex Bolt		2
7	7775-5	Lock Pin (5/16 x 1-5/8)	1	F049	5/16 SAE Washer		4
8	5850-5	Handle Grip (1 x 1 x 3-3/4)	1	F123	1" External Snap Ring		4
9	6811-3	Tilt Bar (20")	1	F131	5/16-18 x 1/2 Hex Bolt		1
10	5740-4	Deck Pin Bushing	4	F170	5/16 x 1 x 7/64 Flat Washer (Zinc Plate)		6
11	1662-1	Tie Down Strap	1	F255	5/16-18 x 1-1/2 Hex Bolt		2
12	1661	DS48-R SD Carrier Frame	1	F275	5/16-18 x 2 Hex Bolt		2
13	8845-1	Rubber Bumper (1-1/4 x 3/4)	1	F552	Washer 1.250 x .314 x .125		2
14	5146	10mm Ball Stud	1	F591	7/16-14 Flange Top Lock Nut		2
Spring and Pivot Mount Components				F625	7/16-14 x 2 Carriage Bolt		2
15	5743-15	Extension Spring (1 x 9)	2				
16	NS	Spring/Stop	2				
Caster Wheel Components							
17	5715-20	Caster Wheel, Hollowmatic (8 x 3.00-4)	2				
18	5714-3	Axle Spacer Tube	2				
19	1770	Caster Wheel Fork	2				
20	5683-2	Pivot Bearing (.750 x 1.0)	4				
21	5830	Grease Fitting	2				

DRAFT 07/16/2019

DS48-R COMPLETE CARRIER FRAME ASSEMBLY



DRAFT 07/16/2019

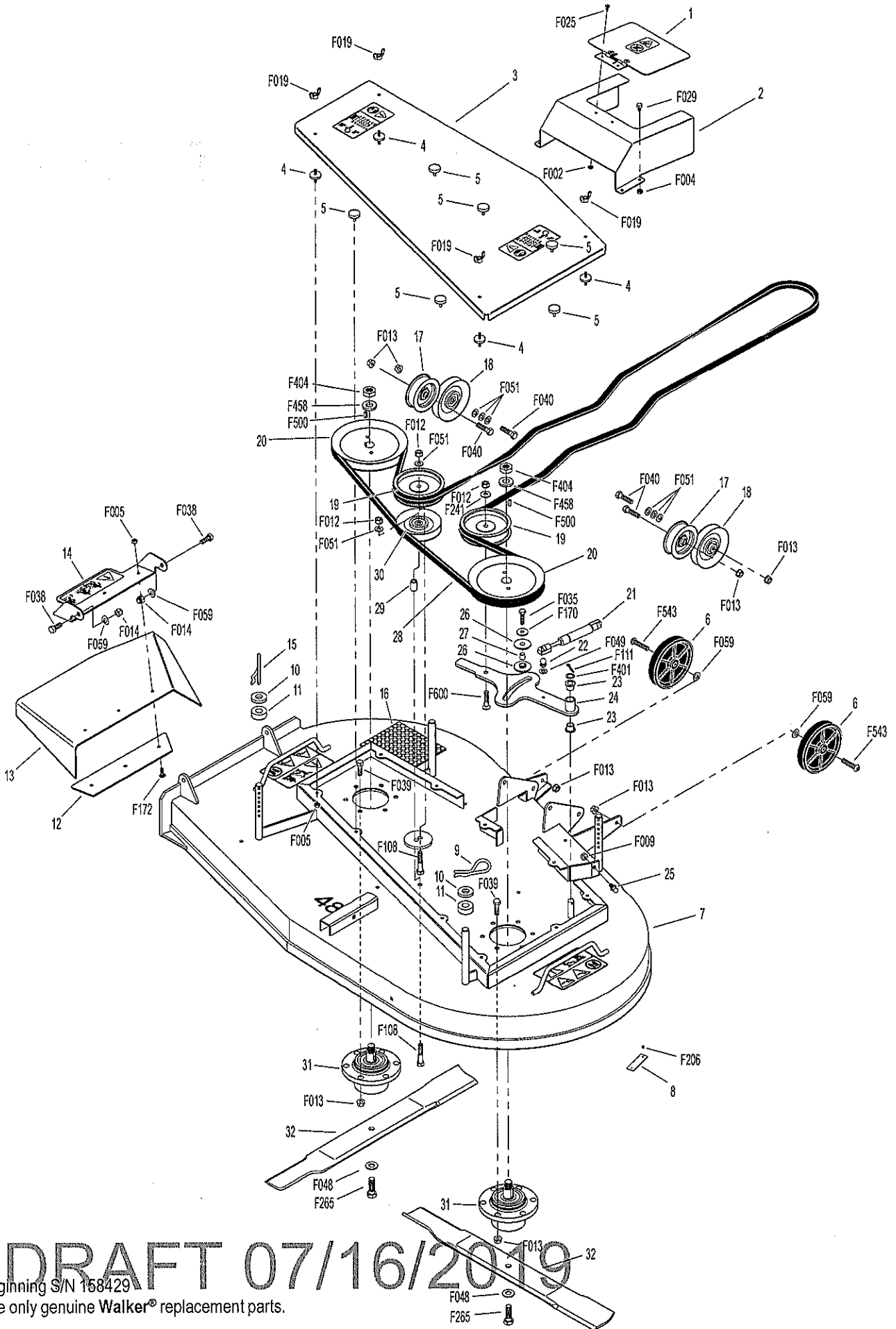
Beginning S/N 158429
Use only genuine Walker® replacement parts.

DS48-R DECK ASSEMBLY

ITEM NO.	PART NO.	DESCRIPTION	NO. REQ'D	ITEM NO.	PART NO.	DESCRIPTION	NO. REQ'D
Deck Housing Components				Fasteners			
1	1620	Cover, Drive Belt Guard	1	F002		10-24 Keps Nut	2
2	1619	Drive Belt Guard	1	F004		1/4-20 Keps Nut	4
3	1701-1	Deck Belt Cover	1	F005		1/4-20 ESNA Nut	12
4	7307-1	Shock Mount (1.0 x .25) Double Stud	4	F009		5/16-18 Whiz Locknut	1
5	7307-9	Pull Through Bumper	6	F012		3/8-16 Keps Nut	3
6	5162-12	Roller Wheel (5" Poly) (Includes Items # F013, F059 & F543)	2	F013		3/8-16 Whiz Locknut	18
7	1701	DS48R Deck Housing	1	F014		3/8-16 ESNA Nut	2
8	NS	Deck Serial Number Plate	1	F019		1/4-20 ESNA Wing Nut	4
9	7775-1	Hitch Pin, LH (Silver) #6	2	F025		10-24 x 3/8 PPHMS	2
10	5727-1	Washer Shim (5/8 ID)	4	F029		1/4-20 x 1/2 Hex Bolt	4
11	7434-1	Washer 1-3/8 x 5/8-1/2 Thick	4	F035		5/16-18 x 1-1/4 Hex Bolt	1
12	1709-2	Back Up Plate	1	F038		3/8-16 x 1 Hex Bolt	2
13	1709-1	Discharge Shield	1	F039		3/8-16 x 1-1/4 Hex Bolt	12
14	1709	Shield Frame	1	F040		3/8-16 x 1-1/2 Hex Bolt	4
15	7775-2	Hitch Pin, RH (Gold) #6	2	F048		1/2 SAE Washer	2
16	8735-10	Rubber Mat (5 x 6)	1	F049		5/16 SAE Washer	1
				F051		3/8 SAE Washer	8
				F059		3/8 Wave Spring Washer	4
				F108		3/8-16 x 2 Hex Bolt	2
				F111		1/8 x 3/4 Cotter Pin	1
				F170		5/16 x 1 x 7/64 Flat Washer (Zinc Plate)	1
				F172		1/4-20 x 3/4 Carriage Bolt	3
				F206		#2 x 3/16 Drive Pin	2
				F241		.375 x .875 x .10 Washer	1
				F265		1/2-20 x 1-1/2 Hex Bolt	2
				F401		.504 x .751 x .030 Washer	1
				F404		5/8-18 Jam Nut	2
				F458		Washer 1-1/4 x 5/8 x 3/16	2
				F500		3/16 x 3/16 x 9/16 Key	2
				F543		3/8-16 x 1-1/2 BH Cap Screw	2
				F600		3/8-16 x 1-3/4 FHA Screw (Zinc)	1
Blade Drive Components							
17	5245-2	Idler Pulley (3-1/4)	2				
18	5247-2	V-Groove Idler (4")	2				
19	5245-3	Idler Pulley (4-5/8)	2				
20	6240-23	Spindle Pulley (6-3/4/B)	2				
21	8762-1	Dampening Spring, Gas	1				
22	5155-12	5/16 Ball Stud	1				
23	7620-3	Pivot Bushing (1/2 x 9/16)	2				
24	1701-3	Idler Arm, R48	1				
25	5146	10mm Ball Stud	1				
26	7846-1	Idler Arm Bushing	2				
27	1701-8	Bushing Spacer	1				
28	1731	Blade Drive Belt, MR 48	1				
29	6325-10	Bushing Spacer	1				
30	5247-3	Pulley	1				
Blade Spindle Components							
31	8052-5	Blade Spindle	2				
32	7705-29	Blade 24-3/8"	2				

DRAFT 07/16/2019

DS48-R DECK ASSEMBLY



DRAFT 07/16/2019

Beginning S/N 158429
Use only genuine Walker® replacement parts.

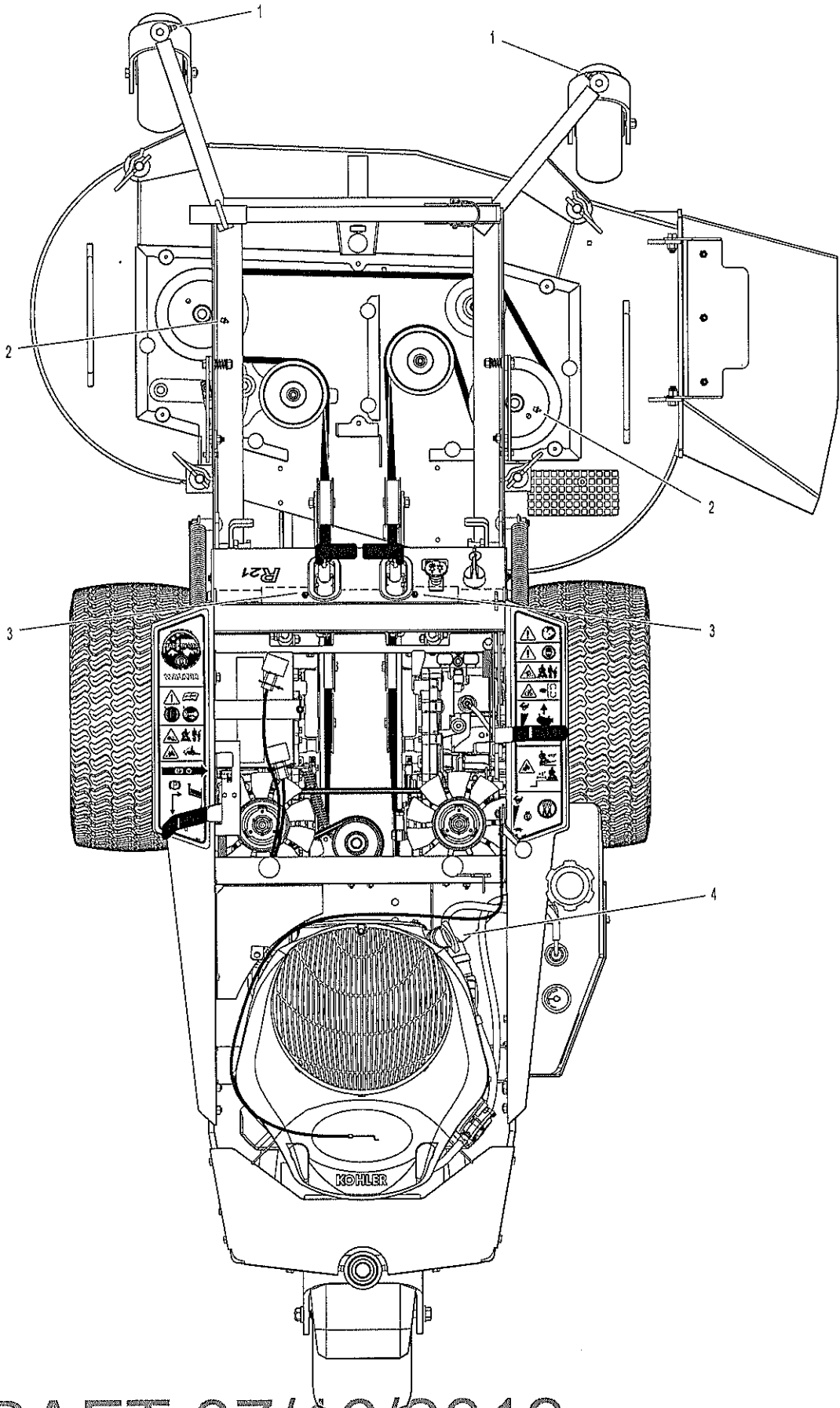
LUBRICATION POINTS

ITEM NO.	PART NO.	DESCRIPTION		NO. REQ'D
Lubrication Points				
1		Deck Caster Wheel Fork Pivot	Grease	2
2		Blade Spindle	Grease	2
3		Steering Lever Pivot	Grease	2
4		Engine Dipstick / Oil Filler	Oil*	1

ITEM NO.	PART NO.	DESCRIPTION	NO. REQ'D
* Refer to R21 Operator's Manual for procedure for checking and changing oil in Engine Crankcase.			
NOTE: See Model R21 Operator's Manual (P/N 1000-1) for proper lubrication intervals.			

DRAFT 07/16/2019

LUBRICATION POINTS



DRAFT 07/16/2019

Beginning S/N 158429
Use only genuine Walker® replacement parts.

WIRING SCHEMATIC

WALKER MODEL R21
Beginning S/N 158429

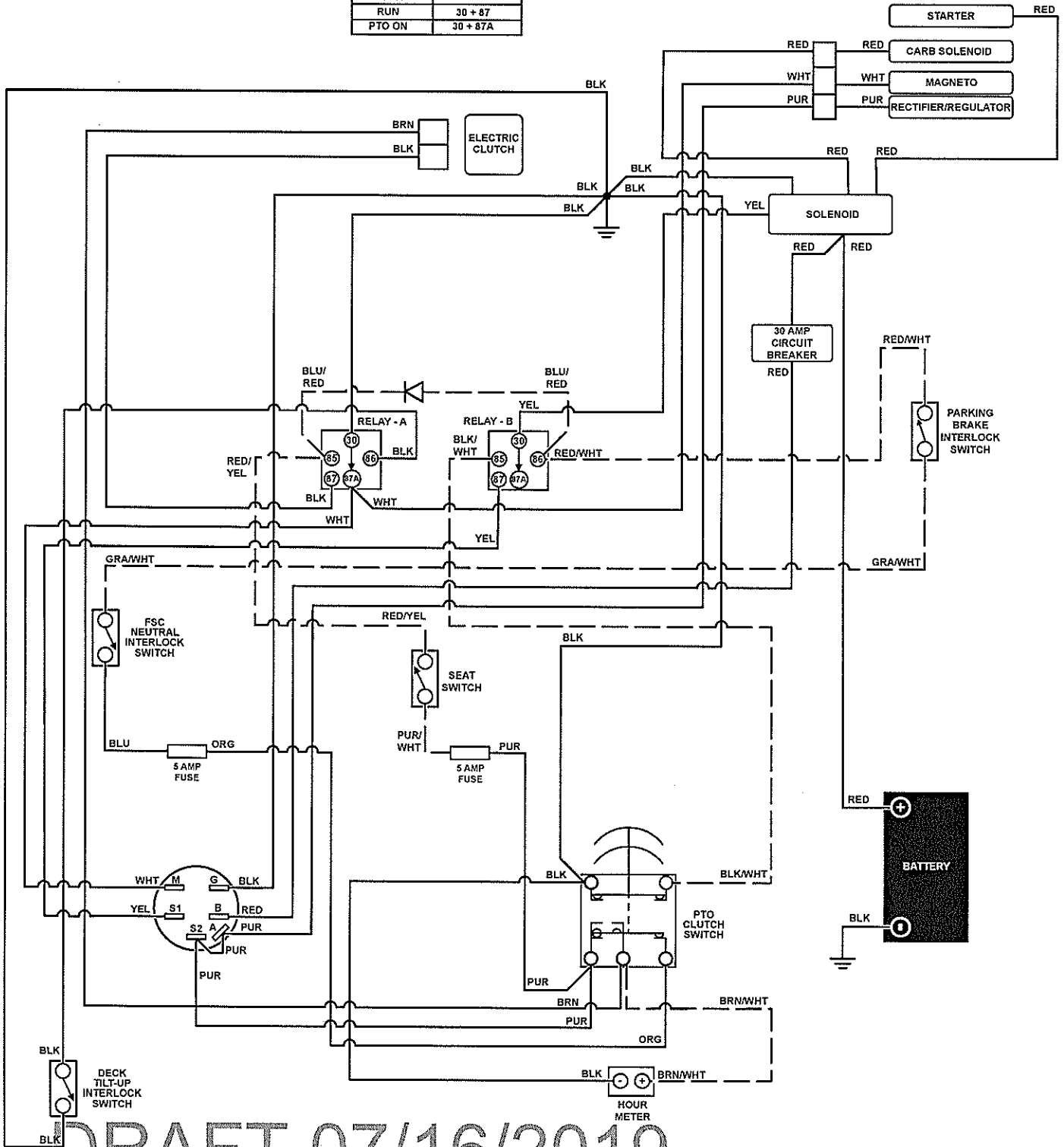
RELAY - A	
IGNITION RELAY	
OFF	30 + 87A
START	30 + 87
RUN	30 + 87
PTO ON	30 + 87A

PTO CLUTCH SWITCH	
OFF-PUSH	PUR + ORG
ON-PULL	BLK+BLK/WHT
	PUR+BRN+BRN/WHT

IGNITION SWITCH CIRCUITS	
OFF	G + M
START	B + A / S1 + S2
RUN	B + A

S1 = START CIRCUIT
S2 = START/ACCESSORY CIRCUIT
M = MAGNETO GROUND CIRCUIT
B = BATTERY CIRCUIT
A = ACCESSORY CIRCUIT
G = GROUND CIRCUIT

RELAY - B	
START RELAY	
OFF	30 + 87A
START	30 + 87
RUN	30 + 87
PTO ON	30 + 87A



DRAFT 07/16/2019

MAINTENANCE AND SERVICE RECORD SHEET

DATE

SERVICE
ITEM

ENGINE
HOURS

DRAFT 07/16/2019

Beginning S/N 158429
Use only genuine Walker® replacement parts.

**LIMITED WARRANTY
FOR
WALKER MODEL R21
RIDER MOWERS**

1. WHAT THIS WARRANTY COVERS, AND FOR HOW LONG:

Walker Manufacturing company will, at its option, repair or replace, without charge, any part covered by this warranty which is found to be defective in material and/or workmanship within three (3) years or 300 hours after date of sale to the original retail purchaser. At Walker's request, customer will make the defective part available for inspection by Walker and/or return the defective part to Walker, transportation charges prepaid. All parts and components of the Walker Mower are covered by this warranty **except** the following components which are warranted separately by their respective manufacturers:

Kohler Engine
Battery

The available warranties covering these items are furnished with each mower. Walker does not assume any warranty obligation, liability or modification for these items, which are covered exclusively by the stated warranty of the respective manufacturers noted above.

2. WHAT THIS WARRANTY DOES NOT COVER:

- A. This warranty does not cover defects caused by depreciation or damage caused by normal wear, accidents, improper maintenance, improper use or abuse of the product, alterations, or failure to follow the instructions contained in the Operator's Manual for operation and maintenance.
- B. The customer shall pay any charges for making service calls and/or for transporting the mower to and from the place where the inspection and/or warranty work is performed.

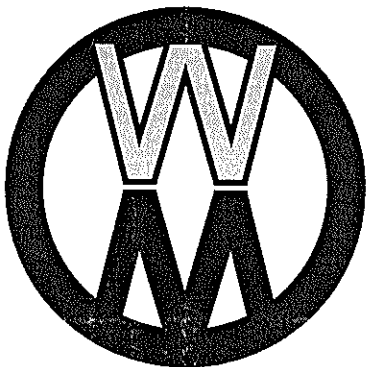
3. HOW TO OBTAIN SERVICE UNDER THIS WARRANTY:

Warranty service can be arranged by contacting the dealer where you purchased the mower or by contacting Walker Manufacturing Company, 5925 East Harmony Road, Ft. Collins, CO 80528. Proof of the date of purchase may be required to verify warranty coverage.

4. WARRANTY LIMITATION:

- A. **THERE IS NO OTHER EXPRESS WARRANTY. ANY WARRANTY THAT MAY BE IMPLIED FROM THIS PURCHASE INCLUDING MERCHANTABILITY AND FITNESS FOR A PARTICULAR PURPOSE IS HEREBY LIMITED TO THE DURATION OF THIS WARRANTY AND TO THE EXTENT PERMITTED BY LAW ANY AND ALL IMPLIED WARRANTIES ARE EXCLUDED.** Some states do not allow limitations on how long an implied warranty lasts, so the above limitations may not apply to you.
- B. **WALKER WILL NOT BE LIABLE FOR ANY INCIDENTAL, CONSEQUENTIAL, OR SPECIAL DAMAGES AND/OR EXPENSES IN CONNECTION WITH THE PURCHASE OR USE OF THE MOWER.** Some states do not allow the exclusion or limitation of incidental or consequential damages, so the above limitation(s) or exclusion(s) may not apply to you.
- C. Only the warranty expressed in this limited warranty shall apply and no dealer, distributor, or individual is authorized to amend, modify, or extend this warranty in any way. Accordingly, additional statements such as dealer advertising or presentations, whether oral or written, do not constitute warranties by Walker, and should not be relied upon.
- D. This warranty gives you specific legal rights, and you may also have other rights which vary from state to state.

DRAFT 07/16/2019



WALKER

WALKER MFG. CO. • 5925 E. HARMONY ROAD, FORT COLLINS, CO 80528 • (970) 221-5614
FORM NO. 071519 PRINTED IN USA www.walker.com ©2019 WALKER MFG. CO

DRAFT 07/16/2019