

# WALKER

## Illustrated Parts Manual

# T23



Beginning S/N: 124812  
Effective Date: 10-02-13  
P/N 8000-20

# KEY TO ABBREVIATIONS USED IN THIS MANUAL

<i>Abbreviation</i>	<i>What it Represents</i>
° (Dimension)	Degrees (Angle)
" (Dimension)	inches
(-)	Negative (Polarity)
(+)	Positive (Polarity)
AT	All-Terrain
CCW	Counter-clockwise
Conn	Connector
CW	Clockwise
D	Diameter
DC	Deck, Collection (number refers to size in inches)
DM	Deck, Mulching (number refers to size in inches)
DR	Deck, Rear Discharge (number refers to size in inches)
DS	Deck, Side Discharge (number refers to size in inches)
DU	Garlock (Bearing)
ESNA (Fastener)	Nylon Insert Locknut
FSC	Forward Speed Control
GA	Gauge
gal	gallon
GHS	Grass Handling System
GR (Fastener)	Grade
HD	Heavy Duty
HP	Horse Power
ID	Identification or Inside Diameter
L	Length
LH	Left Hand (orientated with operator on seat)
LP	Low Profile
mm (Dimension)	millimeters
MS (Fastener)	Machine Screw
NS (as part number)	Item is not sold by Walker Manufacturing
OD	Outside Diameter
oz	ounce
PFH (Fastener)	Phillips Flat Head
P/N	Part Number
PPH (Fastener)	Phillips Pan Head
PTH (Fastener)	Phillips Truss Head
PTO	Power Take-Off
QKS	Quick Slide
qt	quart
RH	Right Hand (orientated with operator on seat)
SAE (Fastener)	Society of Automotive Engineers
SBH (Fastener)	Socket Button Head (Bolt)
SD	Side Discharge
SFH (Fastener)	Slotted Flat Head
SHC (Fastener)	Socket Head Cap
SHL (Fastener)	Shoulder (Bolt)
SM (Fastener)	Sheet Metal (Screw)
S/N	Serial Number
Spg	Spring
SQH (Fastener)	Square Head
SS (Fastener)	Stainless Steel
ST (Fastener)	Self-Tapping (Screw)
Term	Terminal
V	Volts

**NOTE:** In some instances, combinations of abbreviations may be used (e.g. PPHMS - Phillips Pan Head Machine Screw).

Beginning S/N 124812

Effective Date 10-02-13

Use only genuine **Walker**<sup>®</sup> replacement parts.

# ILLUSTRATED PARTS LIST

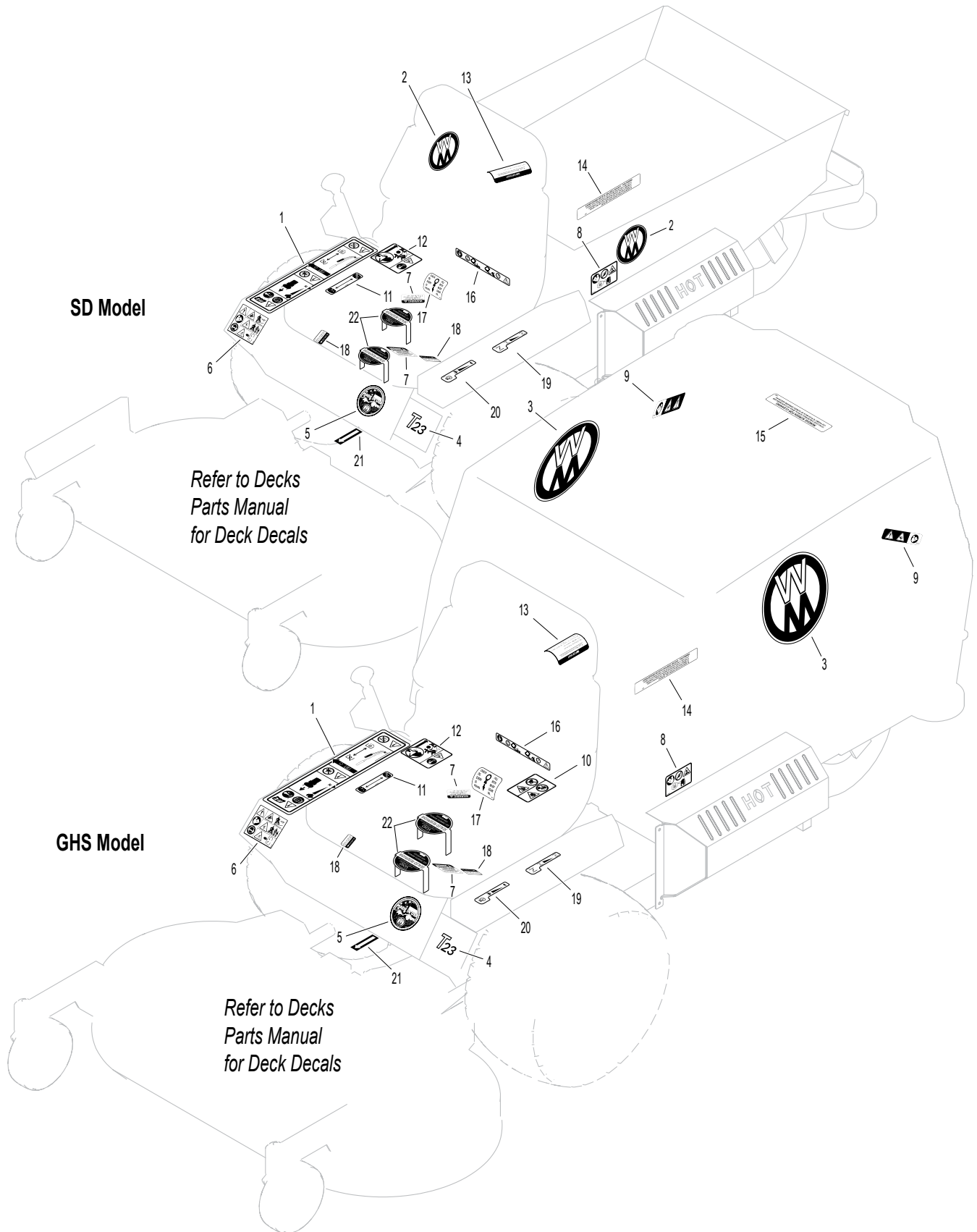
<i>Section of Tractor Covered</i>	<i>Page</i>	<i>Section of Tractor Covered</i>	<i>Page</i>
<b>Decals</b>		<b>Electrical Components</b>	
Tractor Decals .....	2	Electrical Assembly .....	32
<b>Body / Chassis Assemblies</b>		Electrical Assemblies (GHS 10.0 Bushel Components).....	34
Body / Chassis Assembly (GHS Models) .....	4	Electrical Connectors.....	36
Rear Body Assembly (GHS Models) .....	6	<b>Maintenance</b>	
Body Assembly (SD Models).....	8	Lubrication Points .....	38
<b>Tractor Components</b>		Wiring Schematic.....	40
Main Component Power Transmission		<b>Warranty</b>	
(GHS Models) .....	10	Limited Warranty .....	41
(SD Models) .....	12		
Engine Group.....	14		
Hydrostatic Ground Drive Assemblies.....	16		
Steering Control Assemblies.....	18		
Throttle & Choke Control Assembl .....	20		
Parking Brake Assembly .....	22		
GHS Group .....	24		
GHS Powerfil® Assembly (10.0) .....	26		
GHS 10.0 Bushel Catcher Assembly.....	28		
Instrument Panel Assembly .....	30		

# TRACTOR DECALS

ITEM NO.	PART NO.	DESCRIPTION	LOCATION	NO. REQ'D. GHS	NO. REQ'D SD
<b>Walker Product and Operation Decals</b>					
1	8600-33	RH Fender	Body, RH Side Near Seat	1	1
2	5800	Walker Mower (4" Round)	Utility Bed (one on each side)	0	2
3	5800-11	Walker (8" Round)	10.0 Bushel Catcher (one on each side)	2	0
4	8821-10	Decal, T23	Body	1	1
5	5856-1	Made in USA	Body	1	1
<b>Danger Decals Warning Decals Caution Decals</b>					
6	8600-34	Warning, Read Manual	Body	1	1
7	5810-3	Decal, Hydro Warning	Bridge Assembly and LH Gear Axle Drive Assembly	2	2
8	8600-12	Danger, Engine Exhaust	Front Body, LH Side	1	1
9	8600-10	Danger, Pinch Point	10.0 Bushel Catcher Mounting Frame Assembly (one on each side)	2	0
10	8600-4	Danger, Rotating Blower Blades	Body, Near Body Chute	1	0
<b>Maintenance Decals</b>					
11	8600-30	Parking Brake	Body, RH Side below Seat	1	1
12	8600-23	Body Latch Decal	Body, RH Side below Seat	1	1
13	5082-5	Fuel Recommendations	Precleaner Tube	1	1
14	5855	Important, Engine Cooling	Engine	1	1
15	5869	Removable Screen	10.0 Bushel Catcher Removable Screen	1	0
16	8600-16	Front Body Closure	Rear Cross Member, Body	1	1
17	7827	Oil Level	Jackshaft Support	1	1
18	5810-1	Axle Oil Level	Gear Axle Drive Assemblies (one on each)	2	2
19	8600-32	Choke	Body, LH Side	1	1
20	8600-31	Throttle	Body, LH Side	1	1
21	6875	PTO Alignment Arrow	Universal Joint Tube Assembly	1	1
22	NS	Sealed Reservoir	Hydrostatic Drives (one on each)	2	2

**NOTE:** All parts requiring decals are shipped with decals applied.

# TRACTOR DECALS



## BODY / CHASSIS ASSEMBLY (GHS MODELS)

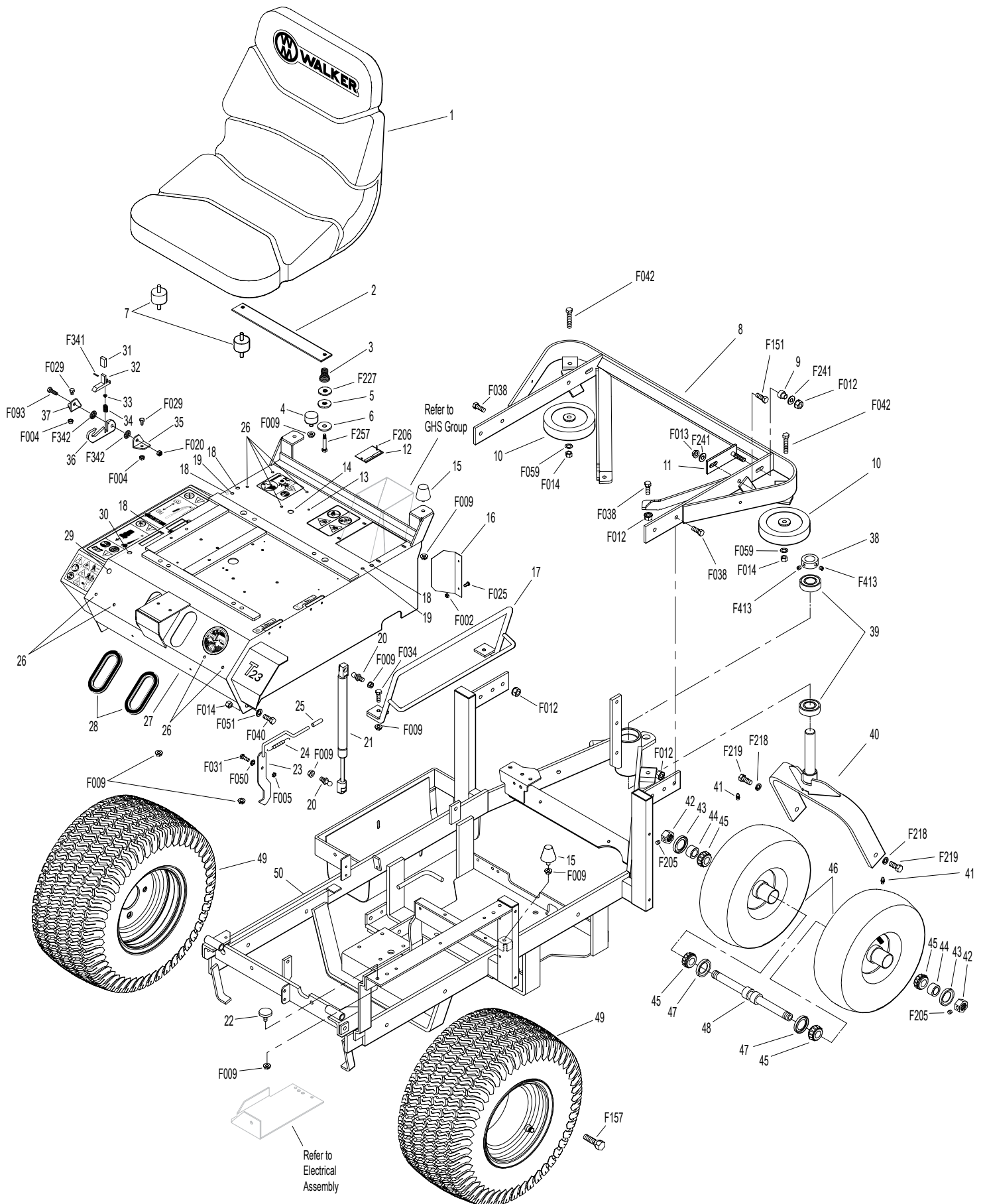
ITEM NO.	PART NO.	DESCRIPTION	NO. REQ'D	ITEM NO.	PART NO.	DESCRIPTION	NO. REQ'D
<b>Seat Assembly</b>				45	8037	Bearing Cone (3/4 ID)	4
1	5103	Seat	1	46	8035	Tail Wheel & Tire Assembly (13 x 5.00-6) (With Bearing Race)	2
2	7203-1	Seat Spring Plate	1		7035-1	Tail Wheel Tire (13 x 5.00-6)	**
3	7223-4	Compression Spring	2		8036	Wheel & Hub (6 x 3.25) (Includes Items # 41 & Bearing Race)	**
4	7845-1	Rubber Bumper (1.375 x .750)	2		8037-2	Bearing Race	**
5	7846	Washer (3/8 ID x 1-1/4 OD x 1/8)	2	47	8768-2	Seal, Reverse Lip	2
6	5841-1	Retainer Washer	2	48	8038	Tail Wheel Axle (3/4 x 10-3/8)	1
7	7440-5	Shock Mount (1-1/4 x 3/4)	2	49	7070	Wheel & Tire Assembly (18 x 9.50-8)	2
<b>Rear Bumper Assembly (GHS Models Only)*</b>					7070-1	Drive Tire (18 x 9.50-8)	**
8	7516	GHS Rear Bumper	1		5070-4	Wide Wheel (8 x 7)	**
9	7516-5	Catcher Pivot Bushing	2	50	8300-14	Chassis Frame (T / 5.0 gal.)	1
10	5162	Roller Wheel (5" Rubber)	2	<b>Fasteners</b>			
11	7517-2	Catcher Pivot Plate	2		F002	10-24 Keps Nut	2
<b>Body Assembly</b>					F004	1/4-20 Keps Nut	2
12	NS	Body ID Plate	1		F005	1/4-20 ESNA Nut	1
13	5989-12	Dome Plug (3/16)	1		F009	5/16-18 Whiz Locknut	12
14	5989-10	Dome Plug (9/16)	1		F012	3/8-16 Keps Nut	8
15	5845	Rubber Bumper (1.50 OD x 1.25)	4		F013	3/8-16 Whiz Locknut	2
16	8118	Heat Deflector	1		F014	3/8-16 ESNA Nut	4
17	7422	Panel Guard	1		F020	5/16-18 ESNA Nut	1
18	5989-4	Dome Plug (3/8)	4		F025	10-24 x 3/8 PPHMS	2
19	5989-3	Dome Plug (5/16)	2		F029	1/4-20 x 1/2 Hex Bolt	2
20	5146	10mm Ball Stud	2		F031	1/4-20 x 5/8 Hex Bolt	1
21	2145	Gas Spring Assembly (Includes Item # 20)	1		F034	5/16-18 x 3/4 Hex Bolt	2
22	7844	Rubber Bumper (1.25 OD x .250)	1		F038	3/8-16 x 1 Hex Bolt	6
23	7383-3	Body Latch Hook (2-1/2 Side Bars)	1		F040	3/8-16 x 1-1/2 Hex Bolt	2
24	7222	Extension Spring (1/4 x 3)	1		F042	3/8-16 x 2-1/4 Hex Bolt	2
25	7854	Plastic Tip, Red	1		F050	1/4 SAE Washer	1
26	5989-9	Dome Plug (1/4)	8		F051	3/8 SAE Washer	2
27	8100-4	Front Body	1		F059	3/8 Wave Spring Washer	2
28	5180	Edge Molding, Lever Opening	2		F093	5/16-18 x 1 Hex Bolt	1
29	5989-55	Dome Plug (1/2)	1		F151	3/8-16 x 7/8 Hex Bolt	2
30	5989-5	Dome Plug (7/16)	1		F157	1/2-20 x 1-1/4 Wheel Lug Bolt	8
<b>Tilt-Up Latch Assembly***</b>					F205	5/16-18 x 1/4 Set Screw, Knurl Point	2
31	5847	Plastic Tip	1		F206	#2 x 3/16 Drive Pin	2
32	5744-20	Spring Arm, Tilt-Up Latch	1		F218	7/16 Split Lock Washer	2
33	5744-10	Spring Pivot Bushing	1		F219	7/16-14 x 1-1/4 Hex Bolt	2
34	5744-15	Compression Spring (3/8 x 5/8)	1		F227	3/8 x 1-1/4 x 1/8 Washer	2
35	5744-13	Mount Angle, LH	1		F241	.375 x .875 x .10 Washer	4
36	5744-12	Hook, Tilt-Up Latch	1		F257	3/8 x 1-11/16 Shoulder Bolt	2
37	5744-14	Mount Angle, RH	1		F341	Coil Roll Pin (7/64 x 9/16)	1
<b>Chassis Assembly</b>					F342	5/16 Conical Washer	2
38	5267-1	Retainer Collar (1") (Includes Item # F413)	1		F413	5/16-24 x 5/16 Set Screw	2
39	5270-1	Pivot Bearing	2	*	Rear Bumper Assembly for SD Models is not shown here. Refer to <b>BODY ASSEMBLY (SD MODELS)</b> , Page 8.		
40	7420	Tail Wheel Fork	1	**	Service Part Only		
41	5830-3	Grease Fitting (45 Degree)	2	***	Complete Tilt-Up Latch Assembly Kit available by ordering kit # 5747.		
42	8039	Nut, Tail Wheel Axle	2				
43	8037-1	Seal, Outer (1-3/4 x 1-1/8)	2				
44	8038-1	Spacer, Tail Wheel Axle (.750 x ID x 1.125 OD)	2				

Beginning S/N 124812

Effective Date 10-02-13

Use only genuine **Walker**® replacement parts.

# BODY / CHASSIS ASSEMBLY (GHS MODELS)



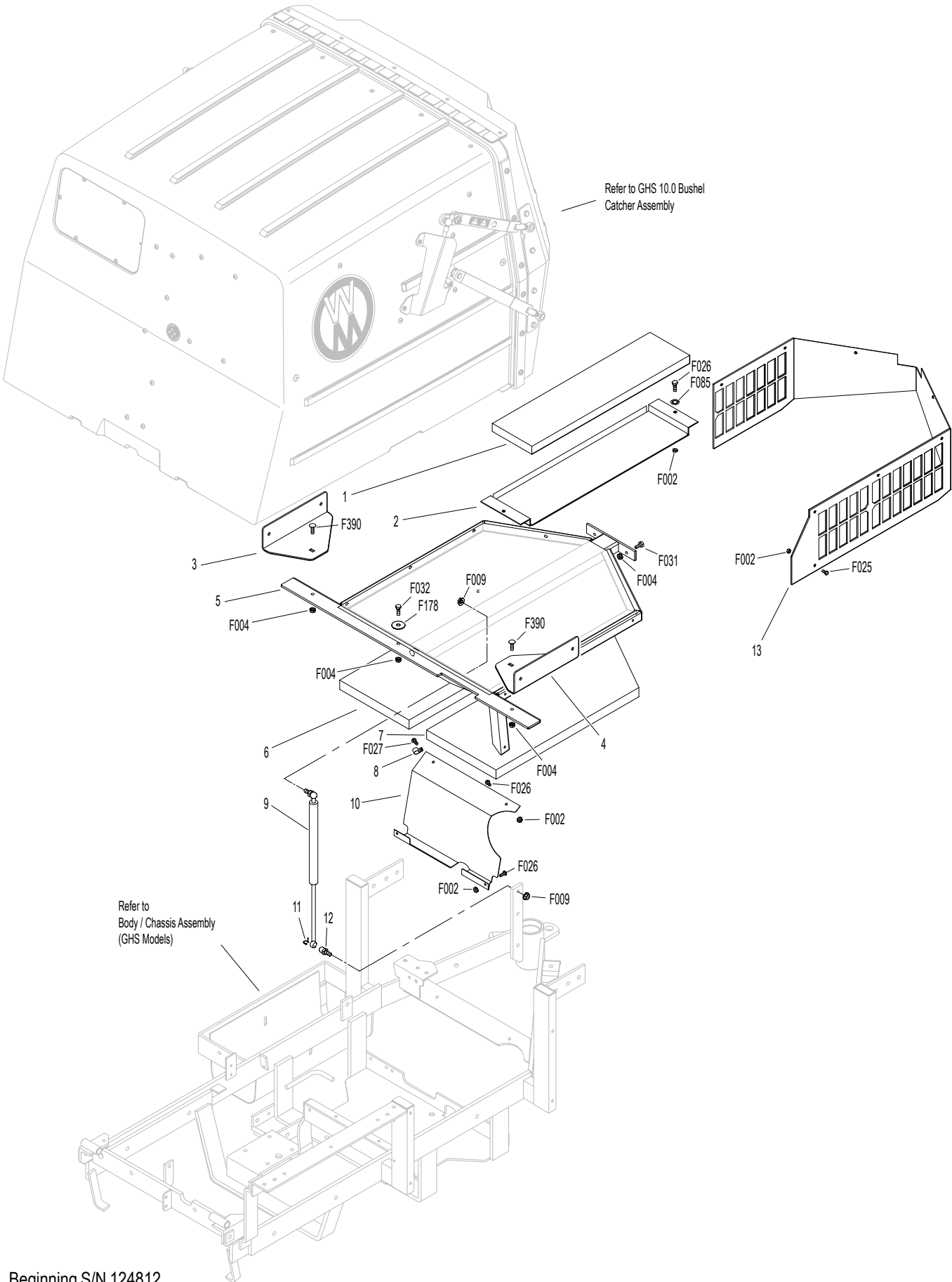
Beginning S/N 124812  
 Effective Date 10-02-13  
 Use only genuine Walker® replacement parts.

## REAR BODY ASSEMBLY (GHS MODELS)

ITEM NO.	PART NO.	DESCRIPTION	NO. REQ'D	ITEM NO.	PART NO.	DESCRIPTION	NO. REQ'D
<b>Rear Body Assembly (GHS Models)</b>				<b>Fasteners</b>			
1	7190-3	Insulation Foam Pad (5 x 20)	1	F002		10-24 Keps Nut	14
2	8082	Heat Shield	1	F004		1/4-20 Keps Nut	5
3	8515-14	Catcher Handle Plate, RH	1	F009		5/16-18 Whiz Locknut	2
4	8515-13	Catcher Handle Plate, LH	1	F025		10-24 x 3/8 PPHMS	8
5	8615-3	Catcher Support Frame, 10.0	1	F026		10-24 x 1/2 PPHMS	5
6	7190-2	Insulation Foam Pad, RH	1	F027		10-24 x 5/8 PPHMS	1
7	7190-1	Insulation Foam Pad, LH	1	F031		1/4-20 x 5/8 Hex Bolt	2
8	5832	Cable Clamp (1/2)	1	F032		1/4-20 x 3/4 Hex Bolt	1
9	7145	Gas Spring Assembly (Includes Items # 11 & 12)	1	F085		3/16 Rivet Backup Washer	2
10	8389-4	Splash Guard	1	F178		1/4 x 1 Fender Washer	1
11	7147	Spring Clip	2	F390		1/4-20 x 7/8 Carriage Bolt	2
12	7146	13mm Ball Stud	2	<b>NOTE:</b> Rear Bumper Assembly for GHS Models is not shown here. Refer to <b>BODY / CHASSIS ASSEMBLY (GHS MODELS)</b> , Page 4.			
13	8105-1	Rear Body Panel	1				



# REAR BODY ASSEMBLY (GHS MODELS)



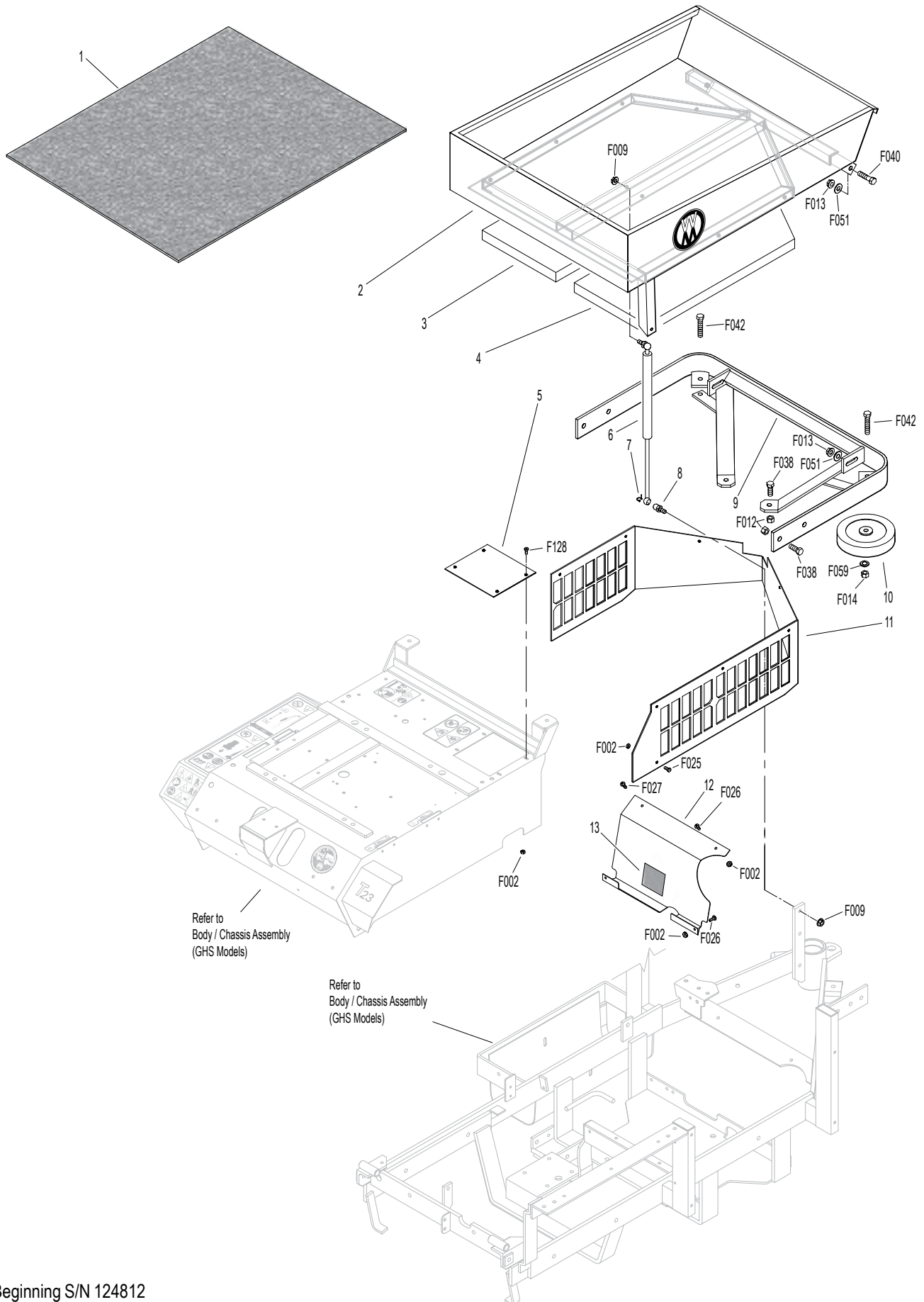
Beginning S/N 124812  
 Effective Date 10-02-13  
 Use only genuine **Walker®** replacement parts.

## BODY ASSEMBLY (SD MODELS)

ITEM NO.	PART NO.	DESCRIPTION	NO. REQ'D	ITEM NO.	PART NO.	DESCRIPTION	NO. REQ'D
<b>Utility Bed Assembly</b>				<b>Fasteners</b>			
1	8650-10	Bed Liner (21.5 x 27.5)	1	F002		10-24 Keps Nut	16
2	8650-2	Utility Bed (Includes Item # 1)	1	F009		5/16-18 Whiz Locknut	2
3	7190-2	Insulation Foam Pad, RH	1	F012		3/8-16 Keps Nut	6
4	7190-1	Insulation Foam Pad, LH	1	F013		3/8-16 Whiz Locknut	4
<b>Rear Bumper Assembly (SD Models)</b>				F014		3/8-16 ESNA Nut	2
5	7153-3	Cover Plate	1	F025		10-24 x 3/8 PPHMS	8
6	7145	Gas Spring Assembly (Includes Items # 7 & 8)	1	F026		10-24 x 1/2 PPHMS	3
7	7147	Spring Clip	2	F027		10-24 x 5/8 PPHMS	1
8	7146	13mm Ball Stud	2	F038		3/8-16 x 1 Hex Bolt	6
9	7521	Rear Bumper	1	F040		3/8-16 x 1-1/2 Hex Bolt	2
10	5162	Roller Wheel (5" Rubber)	2	F042		3/8-16 x 2-1/4 Hex Bolt	2
11	8105-1	Rear Body Panel	1	F051		3/8 SAE Washer	4
12	8389-2	Splash Guard with Mat (Includes Item # 13)	1	F059		3/8 Wave Spring Washer	2
13	8389-12	Rubber Mat (3 x 3)	1	F128		10-24 x 3/8 PTHMS	4

**NOTE:** Refer to **BODY / CHASSIS ASSEMBLY (GHS MODELS)**,  
Page 4 for all common parts used on both models.

# BODY ASSEMBLY (SD MODELS)



Beginning S/N 124812  
 Effective Date 10-02-13  
 Use only genuine **Walker**® replacement parts.

# MAIN COMPONENT POWER TRANSMISSION (GHS MODELS)

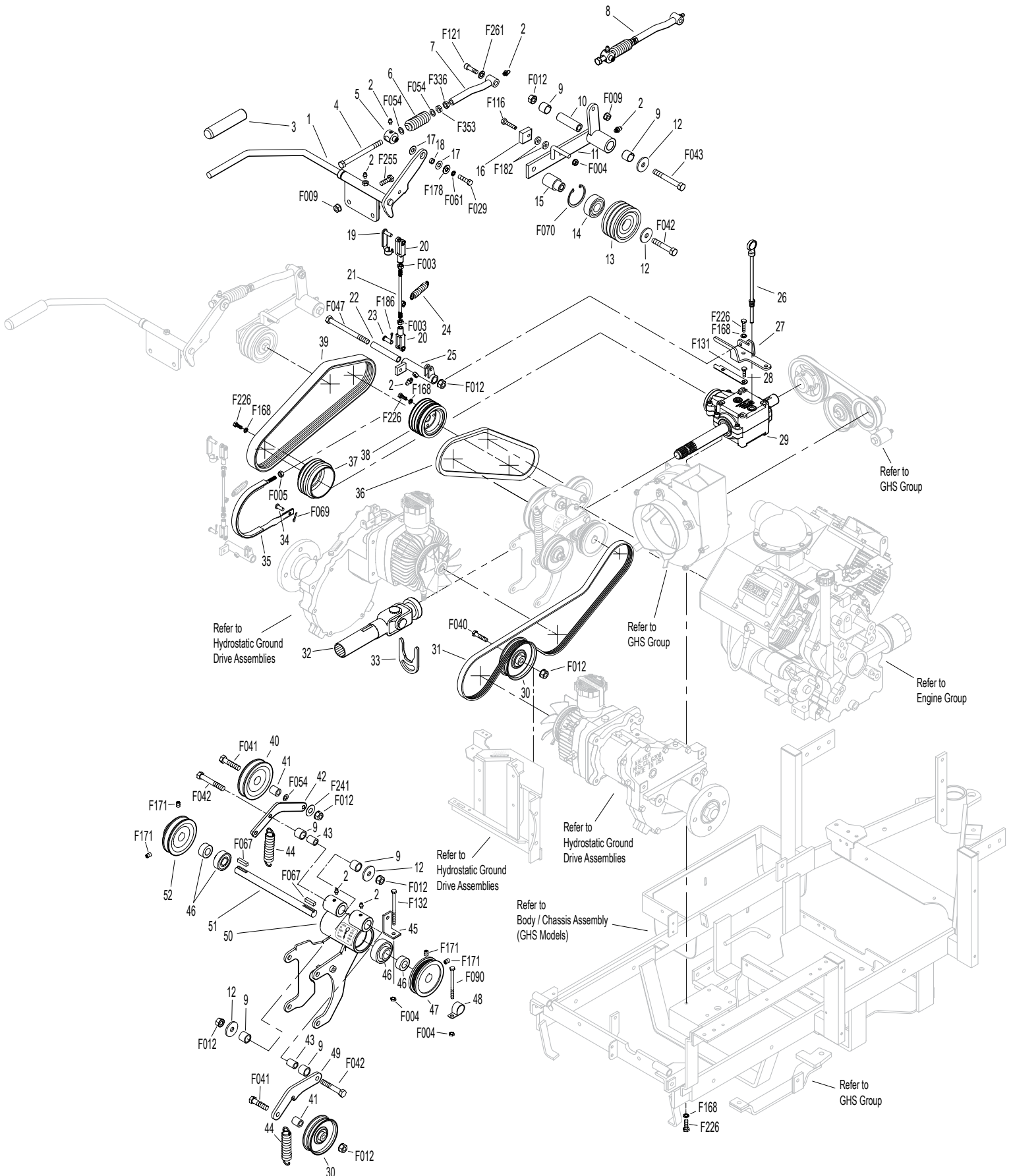
ITEM NO.	PART NO.	DESCRIPTION	NO. REQ'D	ITEM NO.	PART NO.	DESCRIPTION	NO. REQ'D
<b>Clutch Lever Assembly</b>				41	6325-2	Spacer Bushing (5/16)	2
1	8358-3	Clutch Lever (Includes Items # 2 & 3)	1	42	8349-2	Idler Arm	1
2	5830	Grease Fitting	7	43	7201-4	Inner Race (1-1/2)	2
3	4850	Handle Grip, Black	1	44	5221-1	Extension Spring (3/4 x 5)	2
4	7303-10	Clutch Actuator Bolt (3/8)	1	45	8539	Starter Relay Mount	1
5	7380-5	Knuckle Joint (3/8 ID)	1	46	5268	Bearing W/Collar (3/4)	2
6	7226-10	Compression Spring (3/4 x 2-1/2)	1	47	7241-2	Transmission Drive Pulley (3-1/4MV) (Includes Items # F067 & F171)	1
7	8130-5	Pushrod, Clutch Actuator (Threaded Tube) (Includes Item # 2)	1	48	7833	Cable Clamp (7/8 x 1/4)	1
8	8130-10	Clutch Actuator Rod Assembly (Includes Items # 2, 4-7, F054, F336 & F353)	1	49	8349	Transmission Belt Tightener Arm	1
9	7201-3	Fiberglide Bearing	6	50	8393-7	Hydro Jackshaft Mount	1
10	7201-5	Inner Race (2-1/4)	1		8394-1	Hydro Jackshaft Mount Assembly (Includes Items # 2, 9, 43, 46, 50 & 51)	*
11	8368	PTO Belt Tightener	1	51	8273	Jackshaft (3/4 x 7-1/2)	1
12	5841	Retainer Washer (3/8 x 1-1/4)	4	52	7240-4	Jackshaft Drive Pulley (3.3/3V) (Includes Items # F067 & F171)	1
13	8243-1	Clutch Idler Pulley	1	<b>Fasteners</b>			
	8243	Clutch Idler Pulley Assembly (Includes Items # 13-15 & F070)	*	F003		1/4-28 Hex Nut	2
14	5265	Bearing (3/4)	1	F004		1/4-20 Keps Nut	3
15	8243-3	Hub, Idler Pulley	1	F005		1/4-20 ESNA Nut	1
16	8375	PTO Belt Tightener Stop	1	F009		5/16-18 Whiz Locknut	3
17	7377	Plastic Washer (1 x .438 x .025)	2	F012		3/8-16 Keps Nut	7
18	7378	Pivot Bearing (7/16 x 9/16)	1	F029		1/4-20 x 1/2 Hex Bolt	1
19	5281-1	Clevis Spring Pin	1	F040		3/8-16 x 1-1/2 Hex Bolt	1
20	5280	Clevis (1/4)	2	F041		3/8-16 x 1-3/4 Hex Bolt	2
21	8305	Brake Actuator Rod	1	F042		3/8-16 x 2-1/4 Hex Bolt	3
22	8370	Bearing, Brake Actuator	1	F043		3/8-16 x 3 Hex Bolt	1
23	5281-5	Clevis Pin (1/4 x 0.80)	1	F047		3/8-16 x 4-1/2 Hex Bolt	1
24	8250	Brake Spring (1/2 x 2-1/2)	1	F054		AN960616 Washer	3
25	8369	Brake Actuator (Includes Items # 2 & 22)	1	F061		1/4 Internal Star Lock Washer	1
<b>PTO Drive Shaft Assembly</b>				F067		3/16 x 3/16 x 1 Key	2
26	7050-1	Dipstick, Gearbox	1	F069		3/32 x 1/2 Cotter Pin	1
27	8371-1	Mount Bracket, Brake Band	1	F070		1-3/4 Internal Snap Ring	1
28	8377	Brake Band Guide	1	F090		1/4-20 x 2-1/2 Hex Bolt	1
29	8050-11	PTO Gearbox / Flange Pulley	1	F116		1/4-20 x 1-1/4 Hex Bolt	1
30	5245	Idler Pulley (3")	2	F121		5/16-18 x 3/8 x 1 SHL Bolt	1
31	7248	Ground Drive Belt, Micro-V	1	F131		5/16-18 x 1/2 Hex Bolt	2
32	7275-16	Universal Joint Tube Assembly / Spline	1	F132		1/4-20 x 2-3/4 Hex Bolt	1
33	7275-9	Quick Coupler Installation Tool	1	F168		5/16 Split Lock Washer	14
34	7523-2	Clevis Pin W/Hole (1/4 x 5/8)	1	F171		5/16-18 x 3/8 Set Screw	4
35	8304	Brake Band (14-1/2)	1	F178		1/4 x 1 Fender Washer	1
36	6250-1	Drive Belt (3VX370)	1	F182		1/4 x 5/8 x 1/8 Washer	2
37	7236-1	PTO Drive Pulley (4-1/2/3V) (Includes Items # F168 & F226)	1	F186		5/64 x 1/2 Cotter Pin	1
38	8237-2	Engine Pulley, Bolt On (4/3.8/3V) (Includes Items # F168 & F226)	1	F226		5/16-18 x 7/8 Hex Bolt	14
39	8230	Engine PTO Belt	1	F241		.375 x .875 x .10 Washer	1
<b>Jackshaft Assembly</b>				F255		5/16-18 x 1-1/2 Hex Bolt	2
40	7245-1	Idler Pulley (3/8 Groove)	1	F261		AN960616L Washer	1
				F336		3/8-16 Jam Nut	1
				F353		3/8-16 ESNA LP Nut	1
				*		Service Part Only	

Beginning S/N 124812

Effective Date 10-02-13

Use only genuine **Walker**® replacement parts.

# MAIN COMPONENT POWER TRANSMISSION (GHS MODELS)



Beginning S/N 124812  
Effective Date 10-02-13  
Use only genuine Walker® replacement parts.

# MAIN COMPONENT POWER TRANSMISSION (SD MODELS)

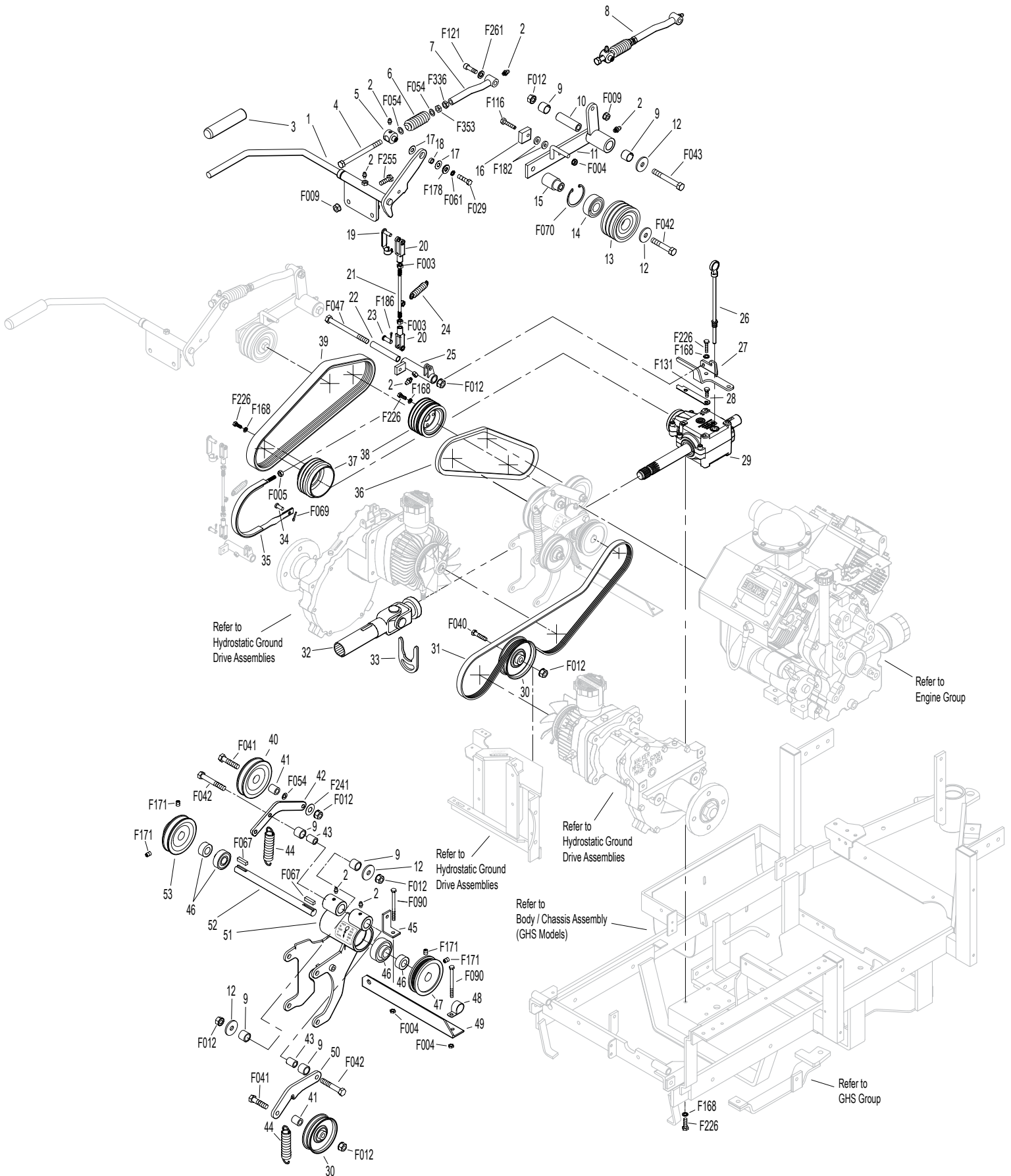
ITEM NO.	PART NO.	DESCRIPTION	NO. REQ'D	ITEM NO.	PART NO.	DESCRIPTION	NO. REQ'D
<b>Clutch Lever Assembly</b>				42	8349-2	Idler Arm	1
1	8358-3	Clutch Lever (Includes Items # 2 & 3)	1	43	7201-4	Inner Race (1-1/2)	2
2	5830	Grease Fitting	7	44	5221-1	Extension Spring (3/4 x 5)	2
3	4850	Handle Grip, Black	1	45	8539	Starter Relay Mount	1
4	7303-10	Clutch Actuator Bolt (3/8)	1	46	5268	Bearing W/Collar (3/4)	2
5	7380-5	Knuckle Joint (3/8 ID)	1	47	7241-2	Transmission Drive Pulley (3-1/4MV) (Includes Items # F067 & F171)	1
6	7226-10	Compression Spring (3/4 x 2-1/2)	1	48	7833	Cable Clamp (7/8 x 1/4)	1
7	8130-5	Pushrod, Clutch Actuator (Threaded Tube) (Includes Item # 2)	1	49	7394-6	Idler Pulley Spring Mount	1
8	8130-10	Clutch Actuator Rod Assembly (Includes Items # 2, 4-7, F054, F336 & F353)	1	50	8349	Transmission Belt Tightener Arm	1
9	7201-3	Fiberglide Bearing	6	51	8393-7	Hydro Jackshaft Mount	1
10	7201-5	Inner Race (2-1/4)	1		8394-1	Hydro Jackshaft Mount Assembly (Includes Items # 2, 9, 43, 46, 51 & 52)	*
11	8368	PTO Belt Tightener	1	52	8273	Jackshaft (3/4 x 7-1/2)	1
12	5841	Retainer Washer (3/8 x 1-1/4)	4	53	7240-4	Jackshaft Drive Pulley (3.3/3V) (Includes Items # F067 & F171)	1
13	8243-1	Clutch Idler Pulley	1	<b>Fasteners</b>			
	8243	Clutch Idler Pulley Assembly (Includes Items # 13-15 & F070)	*	F003	1/4-28 Hex Nut		2
14	5265	Bearing (3/4)	1	F004	1/4-20 Keps Nut		3
15	8243-3	Hub, Idler Pulley	1	F005	1/4-20 ESNA Nut		1
16	8375	PTO Belt Tightener Stop	1	F009	5/16-18 Whiz Locknut		3
17	7377	Plastic Washer (1 x .438 x .025)	2	F012	3/8-16 Keps Nut		7
18	7378	Pivot Bearing (7/16 x 9/16)	1	F029	1/4-20 x 1/2 Hex Bolt		1
19	5281-1	Clevis Spring Pin	1	F040	3/8-16 x 1-1/2 Hex Bolt		1
20	5280	Clevis (1/4)	2	F041	3/8-16 x 1-3/4 Hex Bolt		2
21	8305	Brake Actuator Rod	1	F042	3/8-16 x 2-1/4 Hex Bolt		3
22	8370	Bearing, Brake Actuator	1	F043	3/8-16 x 3 Hex Bolt		1
23	5281-5	Clevis Pin (1/4 x 0.80)	1	F047	3/8-16 x 4-1/2 Hex Bolt		1
24	8250	Brake Spring (1/2 x 2-1/2)	1	F054	AN960616 Washer		3
25	8369	Brake Actuator (Includes Items # 2 & 22)	1	F061	1/4 Internal Star Lock Washer		1
<b>PTO Drive Shaft Assembly</b>				F067	3/16 x 3/16 x 1 Key		2
26	7050-1	Dipstick, Gearbox	1	F069	3/32 x 1/2 Cotter Pin		1
27	8371-1	Mount Bracket, Brake Band	1	F070	1-3/4 Internal Snap Ring		1
28	8377	Brake Band Guide	1	F090	1/4-20 x 2-1/2 Hex Bolt		2
29	8050-11	PTO Gearbox / Flange Pulley	1	F116	1/4-20 x 1-1/4 Hex Bolt		1
30	5245	Idler Pulley (3")	2	F121	5/16-18 x 3/8 x 1 SHL Bolt		1
31	7248	Ground Drive Belt, Micro-V	1	F131	5/16-18 x 1/2 Hex Bolt		2
32	7275-16	Universal Joint Tube Assembly / Spine	1	F168	5/16 Split Lock Washer		14
33	7275-9	Quick Coupler Installation Tool	1	F171	5/16-18 x 3/8 Set Screw		4
34	7523-2	Clevis Pin W/Hole (1/4 x 5/8)	1	F178	1/4 x 1 Fender Washer		1
35	8304	Brake Band (14-1/2)	1	F182	1/4 x 5/8 x 1/8 Washer		2
36	6250-1	Drive Belt (3VX370)	1	F186	5/64 x 1/2 Cotter Pin		1
37	7236-1	PTO Drive Pulley (4-1/2/3V) (Includes Items # F168 & F226)	1	F226	5/16-18 x 7/8 Hex Bolt		14
38	8237-2	Engine Pulley, Bolt On (4/3.8/3V) (Includes Items # F168 & F226)	1	F241	.375 x .875 x .10 Washer		1
39	8230	Engine PTO Belt	1	F255	5/16-18 x 1-1/2 Hex Bolt		2
<b>Jackshaft Assembly</b>				F261	AN960616L Washer		1
40	7245-1	Idler Pulley (3/8 Groove)	1	F336	3/8-16 Jam Nut		1
41	6325-2	Spacer Bushing (5/16)	2	F353	3/8-16 ESNA LP Nut		1
				* Service Part Only			

Beginning S/N 124812

Effective Date 10-02-13

Use only genuine **Walker**® replacement parts.

# MAIN COMPONENT POWER TRANSMISSION (SD MODELS)



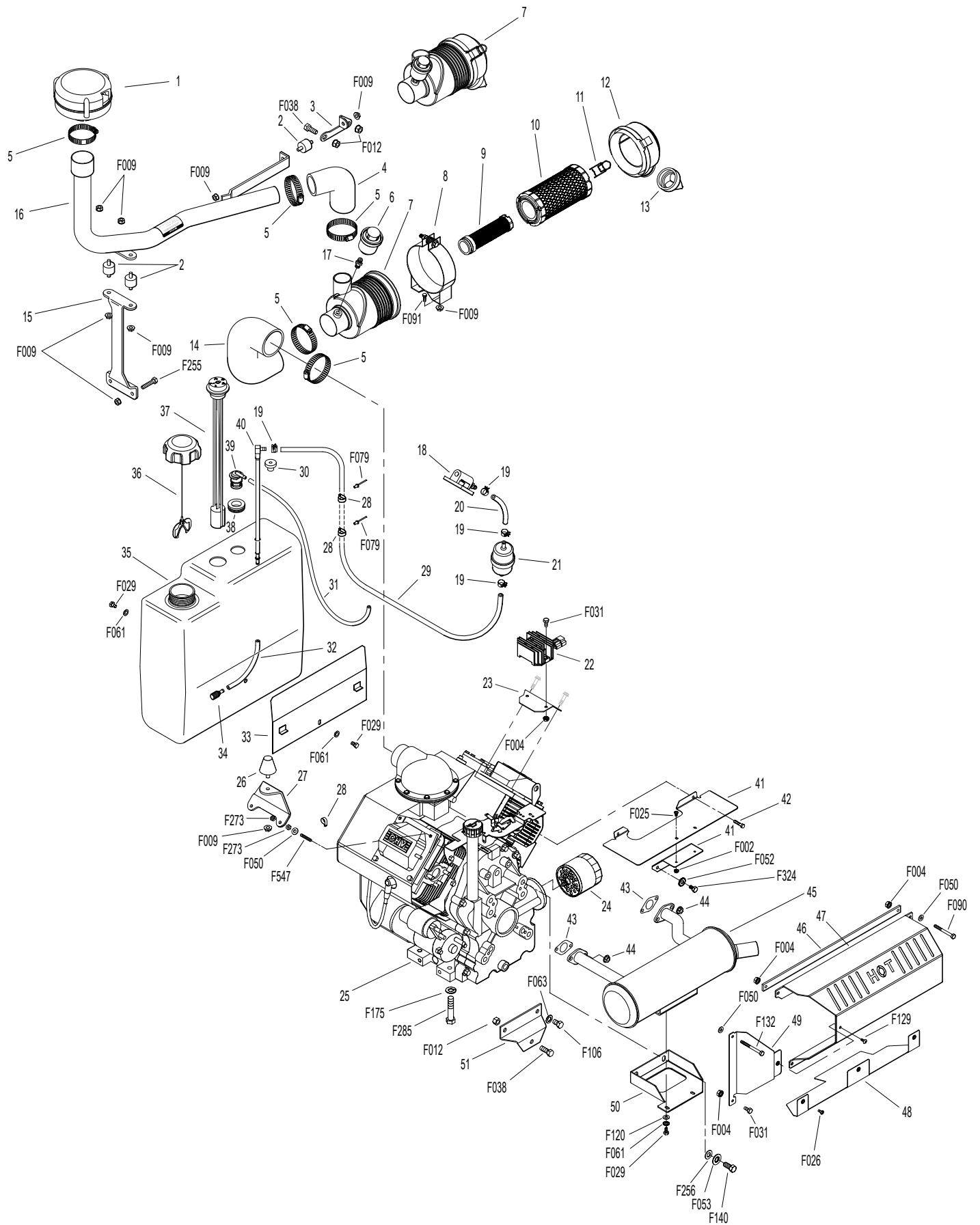
Beginning S/N 124812  
 Effective Date 10-02-13  
 Use only genuine **Walker**® replacement parts.

# ENGINE GROUP

ITEM NO.	PART NO.	DESCRIPTION	NO. REQ'D	ITEM NO.	PART NO.	DESCRIPTION	NO. REQ'D
<b>Precleaner Assembly</b>				42	NS	Screw (Kohler M-645016-S)	2
1	7026-2	Remote Precleaner (Includes Item # 5)	1	43	NS	Gasket (Kohler)	2
2	7440	Shock Mount (1 x 3/4)	3	44	NS	Nut (Kohler)	4
3	7028-20	Rear Precleaner Mount	1	45	8013-9	Muffler	1
4	7032	Elbow, Precleaner	1	46	8013-2	Upright Support	1
5	7840-5	Hose Clamp (1-1/2" to 2")	5	47	8013-13	Muffler Heat Shield	1
6	5091-2	Air Flow Indicator (Vacuum 10" H2O)	1	48	8013-61	Muffler Heat Deflector W/Knurled Inserts	1
7	5088-12	Air Cleaner Assembly (Includes Items # 6, 9-13 & 17)	*	49	8013-29	Muffler Heat Shield Endcap	1
8	5088-1	Air Cleaner Band	1	50	8013-18	Muffler Brace	1
9	5090-3	Safety Filter Insert	1	51	8021	Engine Brace	1
10	5090-1	Air Cleaner Cartridge	1	<b>Fasteners</b>			
11	5088-5	Air Cleaner Draw Latch	2	F002	10-24 Keps Nut		2
12	5088-11	Air Cleaner Cap (Includes Item # 11)	1	F004	1/4-20 Keps Nut		6
13	5090-2	Vacuator Valve	1	F009	5/16-18 Whiz Locknut		11
14	8026-10	Air Hose, Cleaner	1	F012	3/8-16 Keps Nut		3
15	7031-3	Tube Support Arm	1	F025	10-24 x 3/8 PPHMS		2
16	7028-6	Precleaner Tube, GHS/SD	1	F026	10-24 x 1/2 PPHMS		3
17	5091-4	Indicator Nipple	1	F029	1/4-20 x 1/2 Hex Bolt		4
<b>Engine Assembly</b>				F031	1/4-20 x 5/8 Hex Bolt		3
18	NS	Fuel Pump (Kohler)	1	F038	3/8-16 x 1 Hex Bolt		3
19	5879-3	Hose Clamp (1/2)	4	F050	1/4 SAE Washer		4
20	NS	Fuel Line, Engine (Kohler)	*	F052	5/16 External Star Lock Washer		2
21	5020	Fuel Filter	*	F053	7/16 Int. Star Lock Washer		2
22	NS	Rectifier	*	F061	1/4 Internal Star Lock Washer		4
23	8016-4	Regulator Mount	1	F063	3/8 Internal Star Lock Washer		2
24	NS	Oil Filter (Kohler 1205001)	1	F079	A/A66D Aluminum Pop Rivet		2
25	NS	23-hp Engine	1	F090	1/4-20 x 2-1/2 Hex Bolt		1
26	5845	Bumper, Rubber (1.50 OD x 1.25)	1	F091	5/16-18 x 5/8 Hex Bolt		2
27	8010-2	Engine Bumper Mount	1	F106	3/8-16 x 5/8 Hex Bolt		2
28	5832	Cable Clamp (1/2)	3	F120	AN960416 Washer		2
<b>Fuel Tank Assembly</b>				F129	10-24 x 1/2 PTHMS		1
29	M246	Fuel Line, Tank (1/4 x 20-1/2")	1**	F132	1/4-20 x 2-3/4 Hex Bolt		1
30	5083-1	Bushing, Rubber	1	F140	7/16-14 x 1 Hex Bolt		2
31	M113	Fuel Line (3/16 x 28")	1**	F175	1/2 Split Lock Washer		4
32	5086-7	Hose (1/4 x 6)	1	F255	5/16-18 x 1-1/2 Hex Bolt		2
33	8023	Fuel Tank Support	1	F256	7/16 SAE Washer		2
34	5020-2	Fuel Filter, In Tank	1	F273	M6 x 1.0 Nut		4
35	8055-1	Fuel Tank, 4.7 Gallon, Gas (Black) (Includes Items # 30, 32, 34 & 37-40)	1	F285	1/2-13 x 1-1/2 Hex Bolt		4
36	5082-4	2-1/4 Ratchet Fuel Cap	*	F324	M8 x 1.25 x 12 Hex Bolt		2
37	8055-2	Fuel Tank Gauge	1	F574	M6 x 1.0 x 45 Stud		2
38	5977-7	Roll Over Grommet (.900 x 1-1/2)	1	* Service Part Only			
39	8043-8	Roll Over Valve	1	<b>** Required hose specifications:</b>			
40	5083-8	Tank Tube Elbow (13")	1	M113 - 3/16" ID fuel/oil/vapor hose (Gates 4219-0093 or equivalent)			
<b>Exhaust Assembly</b>				M246 - 1/4" ID low permeation (<15g/m <sup>2</sup> /day) fuel hose (Parker 38904 or equivalent)			
41	8530-8	Muffler Grass Shield (Includes Items # F002 & F025)	1	<b>NOTE:</b> Refer to Kohler Engine Decal (NS) for Engine Identification Number.			



# ENGINE GROUP

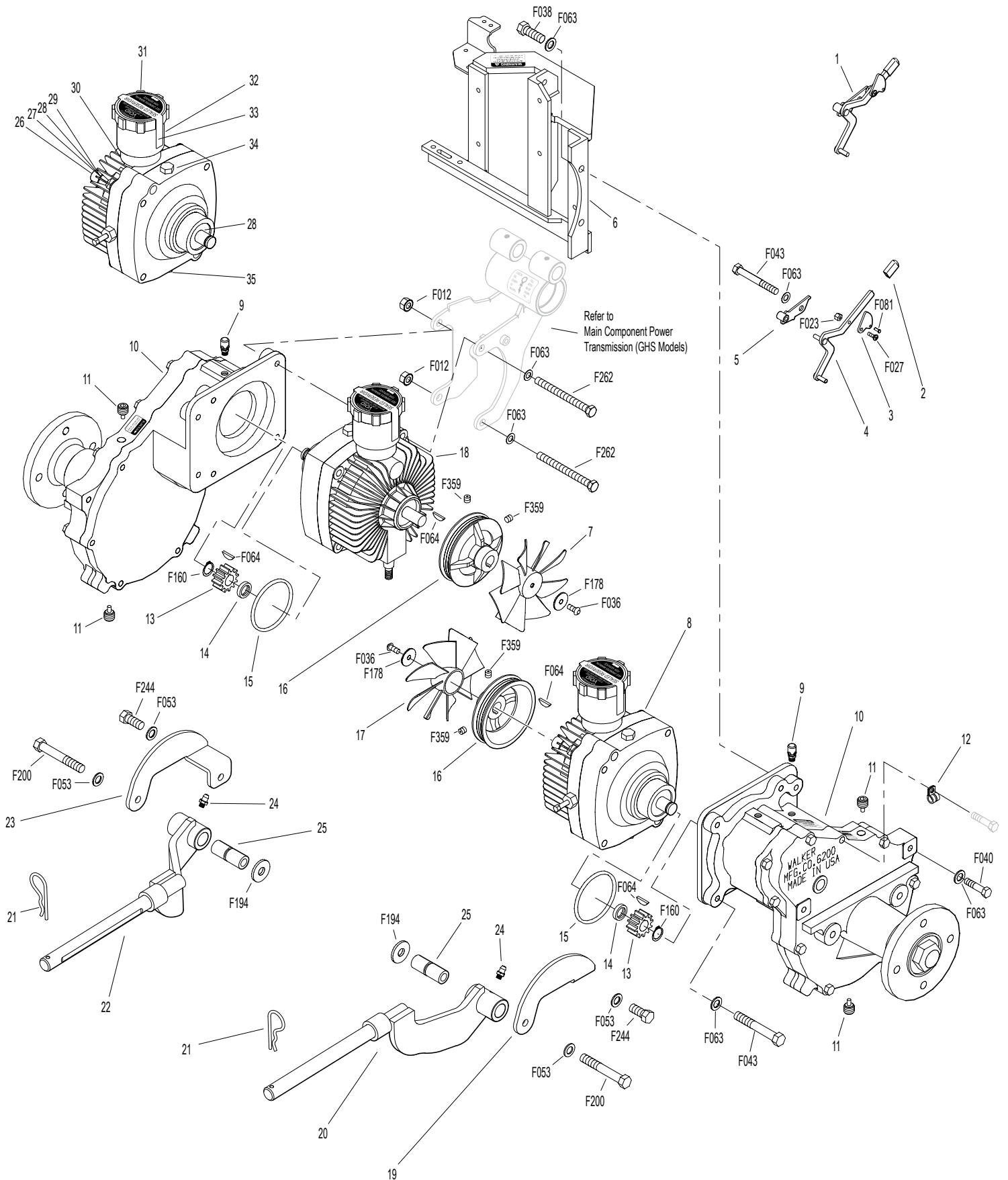


Beginning S/N 124812  
 Effective Date 10-02-13  
 Use only genuine **Walker**® replacement parts.

# HYDROSTATIC GROUND DRIVE ASSEMBLIES

ITEM NO.	PART NO.	DESCRIPTION	NO. REQ'D	ITEM NO.	PART NO.	DESCRIPTION	NO. REQ'D
<b>Transmission Lockout Assembly</b>				<b>Transmission Repair Parts</b>			
1	5028-3	Transmission Lockout Assembly (Includes Items # 2-5, F023, F027 & F081)	*	26	5025-5	Input Shaft	*
2	5847	Plastic Tip	2	27	5025-8	Bearing, Input Shaft	*
3	5057	Lockout Cam (Includes Item # F081)	2	28	5025-7	Snap Ring	*
4	5028-5	Lockout Lever	2	29	5025-2	Seal, Input Shaft	*
5	5027-5	Lockout Mount	1**	30	5022	Reservoir to Casting Gasket	*
<b>Ground Drive Assemblies</b>				31	5024	Reservoir Cap and Gasket	*
6	6209-3	Bridge Assembly	1	32	5023	Transmission Reservoir Kit	*
7	6243-2	Hydro Fan, CCW	1	33	5023-1	Rubber Bladder	*
8	5026	Hydrostatic Drive, CW (700-051)	1	34	5025-6	O-Ring & Plug Assembly	*
9	6206-1	Air Vent Valve	*	35	5025-3	Seal, Control Shaft	*
10	6200-9	Gear Axle Drive Assembly (Includes Items # 9 & 11)	2	<b>Fasteners</b>			
11	6207-12	Pipe Plug (1/4 NPTF)	4	F012	3/8-16 Keps Nut		2
12	5126	Cable Retainer (Uses existing bolt on Gear Axle Drive Assembly)	1	F023	10-24 ESNA Nut		2
13	6233-1	Pinion Gear	2	F027	10-24 x 5/8 PPHMS		2
14	6234	Spacer, Pinion Gear	2	F036	1/4-20 x 1/2 SBH Screw		2
15	6201	O-Ring Seal	2	F038	3/8-16 x 1 Hex Bolt		4
16	7244	Hydro Pulley (3-7/8/MV) (Includes Items # F064 & F359)	2	F040	3/8-16 x 1-1/2 Hex Bolt		4
17	6243-1	Hydro Fan, CW	1	F043	3/8-16 x 3 Hex Bolt		6
18	5025	Hydrostatic Drive, CCW (700-052)	1	F053	7/16 Internal Star Lock Washer		4
<b>Deck Support Arm Assemblies</b>				F063	3/8 Internal Star Lock Washer		16
19	6430-10	Outboard Mount, LH	1	F064	1/8 x 1/2 Woodruff Key (#3)		4
20	6431-1	Deck Support Arm, LH (Includes Item # 24)	1	F081	A/A45D Aluminum Pop Rivet		2
21	5775-2	Hitch Pin (# 6)	2	F160	External Snap Ring (.669 Shaft)		2
22	6431-2	Deck Support Arm, RH (Includes Item # 24)	1	F178	1/4 x 1 Fender Washer		2
23	6430-9	Outboard Mount, RH	1	F194	7/16 x 1-1/4 x 1/8 Washer		2
24	5830	Grease Fitting	2	F200	7/16-20 x 3 Grade 8 Bolt		2
25	6840-1	Support Arm Bushing (2-1/16)	2	F244	7/16-20 x 3/4 Hex Bolt		2
				F262	3/8-16 x 4 Hex Bolt All Thread		2
				F359	5/16-18 x 5/16 Set Screw (Unbrako Knurl Point)		4
				* Service Part Only			
				** Part not used on Jackshaft side of tractor.			

# HYDROSTATIC GROUND DRIVE ASSEMBLIES

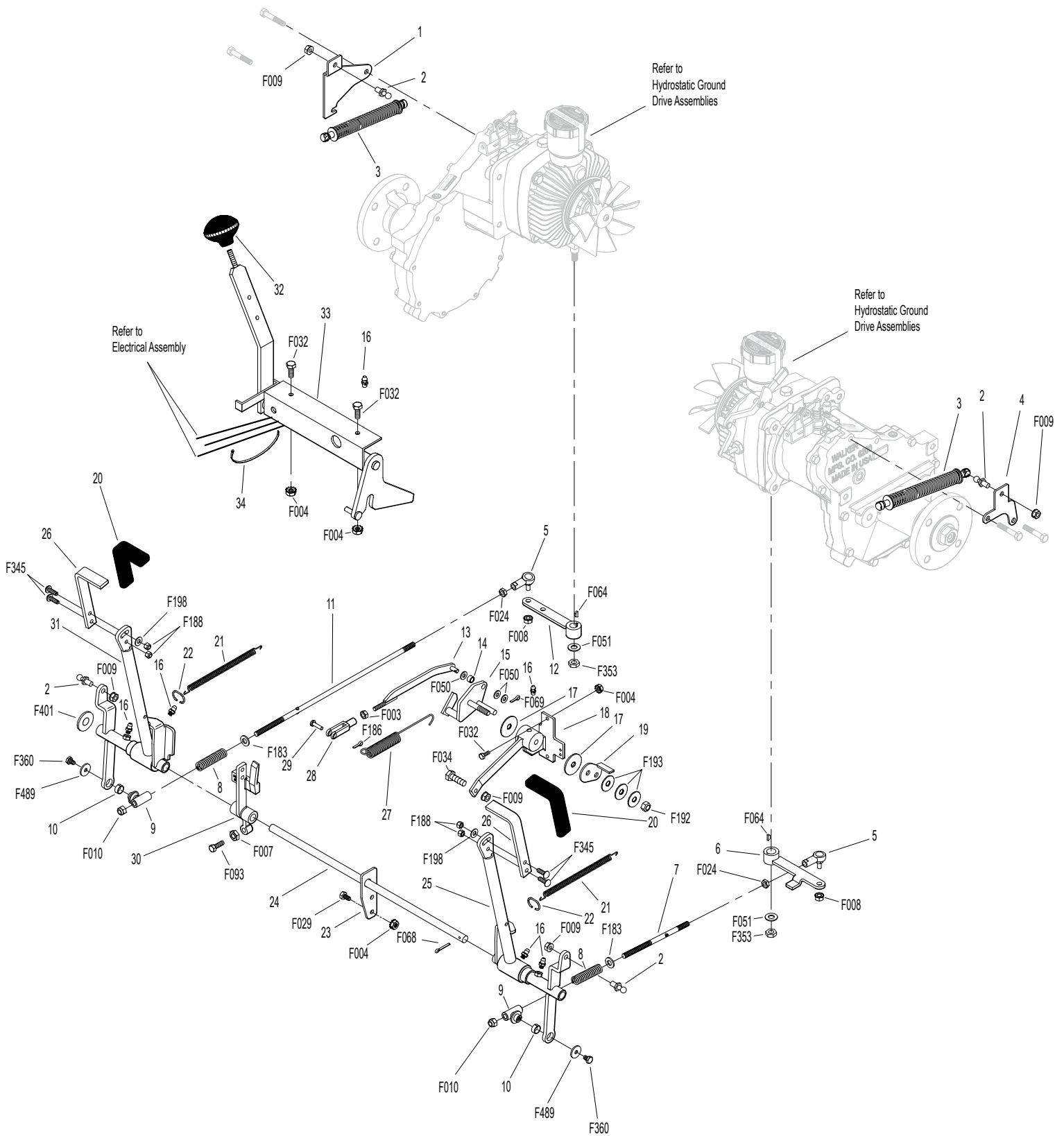


Beginning S/N 124812  
 Effective Date 10-02-13  
 Use only genuine Walker® replacement parts.

# STEERING CONTROL ASSEMBLIES

ITEM NO.	PART NO.	DESCRIPTION	NO. REQ'D	ITEM NO.	PART NO.	DESCRIPTION	NO. REQ'D
<b>Transmission Spring Assemblies</b>				30	5470-1	Speed Control Stop	1
1	6201-2	Shock Mount Gear Drive, RH	1	31	5450-10	Steering Lever Assembly, RH / Adjustable (Includes Items # 9, 10, 16, F360 & F489)	1
2	5146	10mm Ball Stud	4		5450-7	Steering Lever Arm, RH / Adjustable	*
3	5199-3	Steering Lever Dampener Assembly	2	32	5862	FSC Knob	1
4	6201-1	Shock Mount Gear Drive, LH	1	33	7170	FSC Lever Assembly (Includes Item # 16)	1
5	5214-2	Ball Joint (5/16-24) Nylon Lined	2	34	5975-3	Cable Tie (50# x 7")	1
6	6212-1	Transmission Control Arm, LH	1	<b>Fasteners</b>			
7	5213-3	Control Rod (6")	1		F003	1/4-28 Hex Nut	1
8	5665-1	Compression Spring (2-1/2)	2		F004	1/4-20 Keps Nut	6
9	5463-2	Steering Lever Actuator	2		F007	5/16-18 Jam Nut	1
10	7201-2	Fiberglide Bearing 1/2"	2		F008	5/16-24 Keps Nut	2
11	5213-4	Control Rod (14-3/4")	1		F009	5/16-18 Whiz Locknut	5
12	5212	Transmission Control Arm, RH	1		F010	5/16-24 ESNA Nut	2
<b>Steering Lever &amp; FSC Assemblies</b>					F024	5/16-24 Jam Nut	2
13	5173	FSC Actuator Rod	1		F029	1/4-20 x 1/2 Hex Bolt	2
14	5172	Bearing, Delrin (.255 ID x .379 OD x .250)	1		F032	1/4-20 x 3/4 Hex Bolt	4
15	5142-2	FSC Actuator Cam	1		F034	5/16-18 x 3/4 Hex Bolt	1
16	5830	Grease Fitting	6		F050	1/4 SAE Washer	3
17	5141	FSC Friction Washer (1-1/2 x 3/8 x 1/16)	2		F051	3/8 SAE Washer	2
18	5140-15	FSC Friction Body (Includes Item # 16)	1		F064	1/8 x 1/2 Woodruff Key (#3)	2
19	5142-7	FSC Key W/Stop	1		F068	1/8 x 1 Cotter Pin	1
	5140-13	FSC Control Assembly (Includes Items # 15-19, F192 & F193)	*		F069	3/32 x 1/2 Cotter Pin	1
20	5850-2	Handle Grip, Foam (5-1/2)	2		F093	5/16-18 x 1 Hex Bolt	1
21	5223	Extension Spring (1/4 x 5-1/2)	2		F183	.312 x .700 x .074 Washer	2
22	5450	D-Clip	2		F186	5/64 x 1/2 Cotter Pin	1
23	5391-3	Steering Lever Support	1		F188	1/4-20 Self-Locking Nut	4
24	5217	Pivot Pin, Steering Lever	1		F192	3/8-24 Self-Locking Nut	1
25	5451-10	Steering Lever Assembly, LH / Adjustable (Includes Items # 9, 10, 16, F360 & F489)	1		F193	3/8 Belleville Spring Washer	3
	5451-7	Steering Lever Arm, LH / Adjustable	*		F198	.250 x .625 x .040 Washer, SS	2
26	5453-10	Steering Lever Handle, Adjustable (Includes Items # 20 & F345)	2		F345	1/4-20 x .770 Knurled Bolt	4
27	5219	Extension Spring (3/4 x 6-3/4)	1		F353	3/8-16 ESNA LP Nut	2
28	5280	Clevis (1/4")	1		F360	1/4-20 x 3/8 Hex Bolt	2
29	5281-5	Clevis Pin (1/4 x 0.80)	1		F401	.504 x .751 x .030 Washer	1
					F489	Washer 1/4 x 7/8 x .090	2
				*	Service Part Only		

# STEERING CONTROL ASSEMBLIES

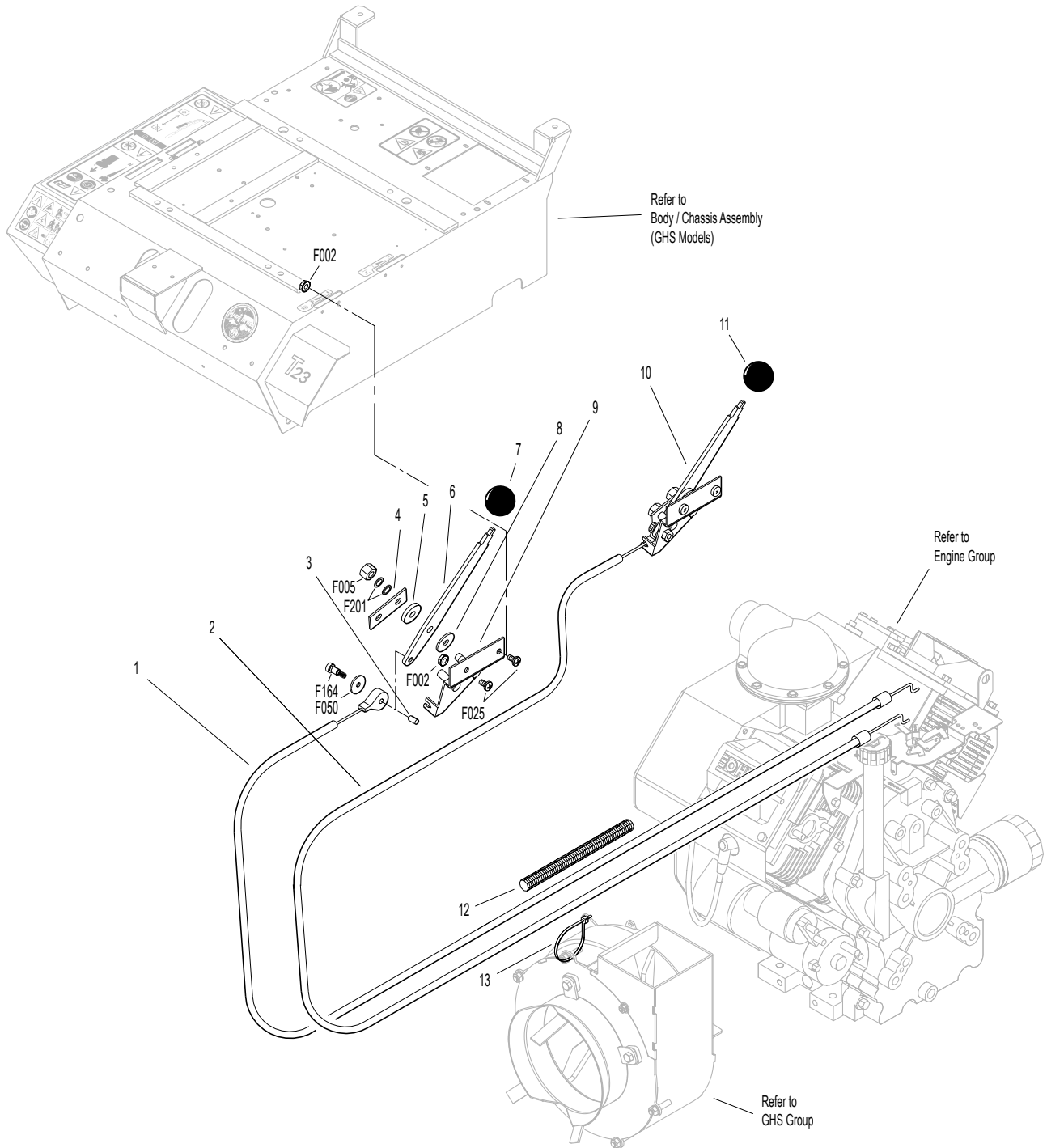


Beginning S/N 124812  
 Effective Date 10-02-13  
 Use only genuine Walker® replacement parts.

# THROTTLE & CHOKE CONTROL ASSEMBLIES

ITEM NO.	PART NO.	DESCRIPTION	NO. REQ'D	ITEM NO.	PART NO.	DESCRIPTION	NO. REQ'D
<b>Throttle &amp; Choke Control Assemblies</b>				<b>Fasteners</b>			
1	8121-1	Throttle Cable	1		F002	10-24 Keps Nut	4
2	8122-1	Choke Cable	1		F005	1/4-20 ESNA Nut	2
3	5172	Bearing, Delrin (.255 x .379 x .250)	2		F025	10-24 x 3/8 PPHMS	4
4	5108-7	Control Lock Tab	2		F050	1/4 SAE Washer	2
5	5108-10	Friction Washer (.125)	2		F164	10-24 x 1/4 x 3/8 SHL Bolt	2
6	5108-1	Control Lever, Throttle & Choke	2		F201	1/4 Belleville Spring Washer	4
7	5108-5	Throttle Control Knob, Red	1				
8	5108-11	Friction Washer (.062)	2	*		Service Part Only	
9	5108-8	Control Bracket	2				
10	7108	Control Assembly (Includes Items # 4-6, 8, 9 & F201)	2				
	8121	Throttle Control and Cable Assembly (Includes Item # 7)	*				
	8122	Choke Control and Cable Assembly (Includes Item # 11)	*				
11	5108-6	Choke Control Knob, Black	1				
12	8123	Insulation Sleeve (3/8 x 6)	1				
13	5975-1	Cable Tie (18# x 3-3/4")	1				

# THROTTLE & CHOKE CONTROL ASSEMBLIES



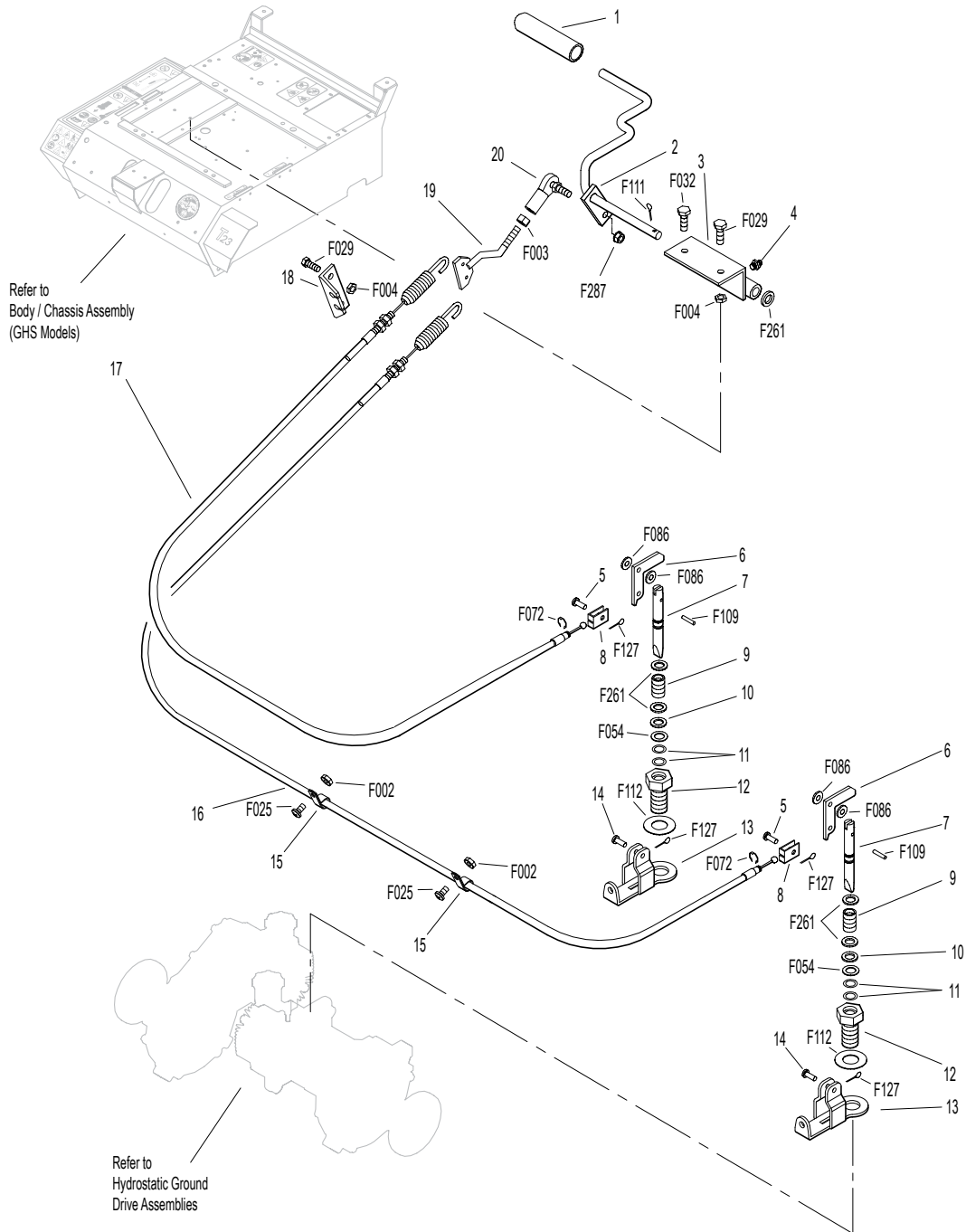
Beginning S/N 124812  
Effective Date 10-02-13  
Use only genuine **Walker**® replacement parts.

# PARKING BRAKE ASSEMBLY

ITEM NO.	PART NO.	DESCRIPTION	NO. REQ'D	ITEM NO.	PART NO.	DESCRIPTION	NO. REQ'D
<b>Parking Brake Assembly</b>				<b>Fasteners</b>			
1	7406-1	Handle Grip, Red	1	F002		10-24 Keps Nut	2
2	7406-8	Parking Brake Lever (4-1/4)	1	F003		1/4-28 Hex Nut	1
3	7406-2	Lever Mount	1	F004		1/4-20 Keps Nut	4
4	5830	Grease Fitting	1	F025		10-24 x 3/8 PPHMS	2
5	7407	Clevis Pin (3/16 x 1/2)	2	F029		1/4-20 x 1/2 Hex Bolt	3
6	7404-6	Brake Actuator Arm	2	F032		1/4-20 x 3/4 Hex Bolt	1
7	7405	Pin, Transmission Lock	2	F054		AN960616 Washer	2
8	7402	Clevis	2	F072		1/4 "E" Retainer Ring	2
9	7408	Compression Spring (1/2 x 3/4)	2	F086		#10 SAE Washer	4
10	7415	Rubber Dust Shield (5/8 x 3/8 x 1/32)	2	F109		1/8 x 5/8 Roll Pin	2
11	5567-3	O-Ring Seal (1/4 x 3/8)	4	F111		1/8 x 3/4 Cotter Pin	1
12	7403	Plunger Bushing, Gear Axle	2	F112		5/8 x 1-1/4 x .03 Washer	2
13	7404-7	Brake Actuator Mount	2	F127		1/16 x 1/2 Cotter Pin	4
14	7412	Clevis Pin (3/16 x 5/8)	2	F261		AN960616L Washer	5
15	5833	Cable Clamp (1/4)	2	F287		1/4-28 Keps Nut	1
16	7410	Brake Control Cable, LH (25.5")	1				
17	7409	Brake Control Cable, RH (20.5")	1				
18	7401-3	Cable Mount Bracket	1				
19	7401-1	Cable Pull Rod	1				
20	5552	Ball Joint (1/4-28)	1				



# PARKING BRAKE ASSEMBLY

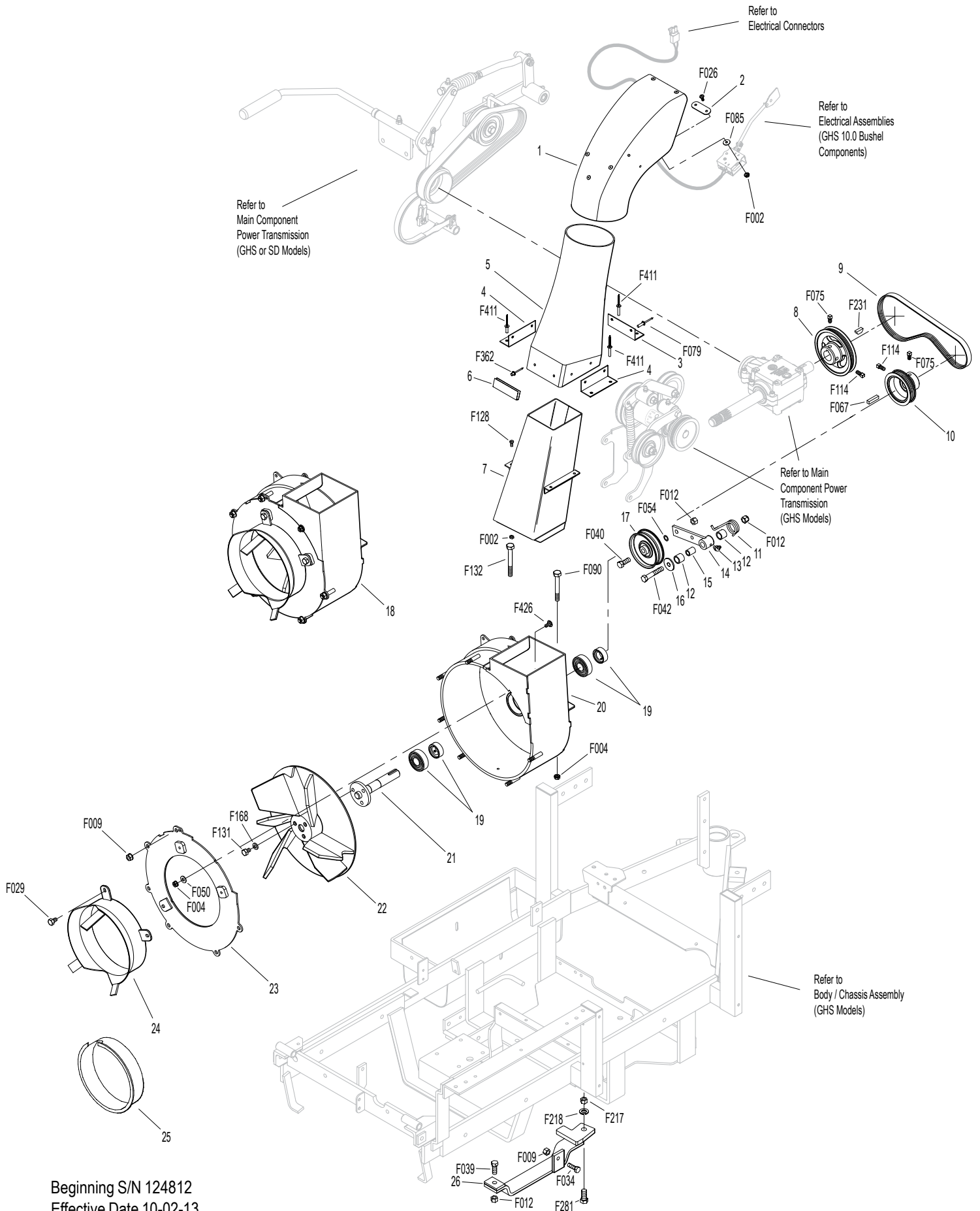


Beginning S/N 124812  
 Effective Date 10-02-13  
 Use only genuine **Walker**® replacement parts.

# GHS GROUP

ITEM NO.	PART NO.	DESCRIPTION	NO. REQ'D	ITEM NO.	PART NO.	DESCRIPTION	NO. REQ'D
<b>Delivery Chute Assembly</b>				<b>Fasteners</b>			
1	5515-2	Elbow Delivery Spout	1	F002		10-24 Keps Nut	6
2	5592-13	Backing Plate, Grass-Pak® Switch	1	F004		1/4-20 Keps Nut	3
3	5578	Rear Clip, Chute Mount	1	F009		5/16-18 Whiz Locknut	7
4	5577	Side Clip, Chute Mount	2	F012		3/8-16 Keps Nut	3
5	8511-1	Delivery Chute W/Clips / 10.0 (Includes Items # 3, 4, 6, F362 & F411)	1	F026		10-24 x 1/2 PPHMS	2
6	5578-10	Front Clip, Chute Mount	1	F029		1/4-20 x 1/2 Hex Bolt	3
7	7530-4	Body Chute (10.5 Blower)	1	F034		5/16-18 x 3/4 Hex Bolt	1
<b>Blower Belt Tightener Assembly</b>				F039		3/8-16 x 1-1/4 Hex Bolt	1
8	7238-6	Blower Drive Pulley (Includes Items # F075, F114 & F231)	1	F040		3/8-16 x 1-1/2 Hex Bolt	1
9	7234-2	Blower Belt (Micro-V)	1	F042		3/8-16 x 2-1/4 Hex Bolt	1
10	7239-1	Blower Pulley (Mirco-V) (Includes Items # F067, F075 & F114)	1	F050		1/4 SAE Washer	1
11	7364-2	Torsion Spring	1	F054		AN960616 Washer	1
12	7201-3	Fiberglide Bearing	2	F067		3/16 x 3/16 x 1 Key	1
13	5830-3	Grease Fitting (45 Deg.)	1	F075		5/16-18 x 1/2 SQH Set Screw	2
14	7364-1	Blower Belt Tightener Arm	1	F079		A/A66D Aluminum Pop Rivet	6
15	7201-4	Inner Race (1-1/2)	1	F085		3/16 Rivet Backup Washer	2
16	5841	Retainer Washer (3/8 x 1-1/4)	1	F090		1/4-20 x 2-1/2 Hex Bolt	1
17	5245	Idler Pulley (3")	1	F114		5/16-18 x 5/8 SQH Set Screw	2
<b>Blower Assembly</b>				F128		10-24 x 3/8 PTHMS	4
18	7544	Blower Assembly (10.5") (Includes Items # 19-24, F004, F009, F029, F050, F131, F168 & F426)	1	F131		5/16-18 x 1/2 Hex Bolt	3
19	5268	Bearing W/Collar (3/4)	2	F132		1/4-20 x 2-3/4 Hex Bolt	1
20	7544-3	Blower Housing (10.5)	1	F168		5/16 Split Lock Washer	3
21	7545-2	Blower Output Shaft (10.5)	1	F217		7/16-14 Hex Nut	1
22	7545	Blower Wheel (10.5")	1	F218		7/16 Split Lock Washer	1
23	7543-1	Blower Faceplate (10.5)	1	F231		1/4 x 3/4 Woodruff Key (# 806)	1
24	7526	Intake Tube (10.5 Blower)	1	F281		7/16-14 x 1-3/4 Hex Bolt	1
25	5595-2	Intake Cover / GHS	1	F362		A/A62D Alum. Pop Rivet (3/16D x 13/32L)	2
26	7528-4	Skid Bar (10.5" Blower)	1	F411		3/16 Bulbex Rivet	6
				F426		1/4-20 x 1/2 Carriage Bolt	1

# GHS GROUP

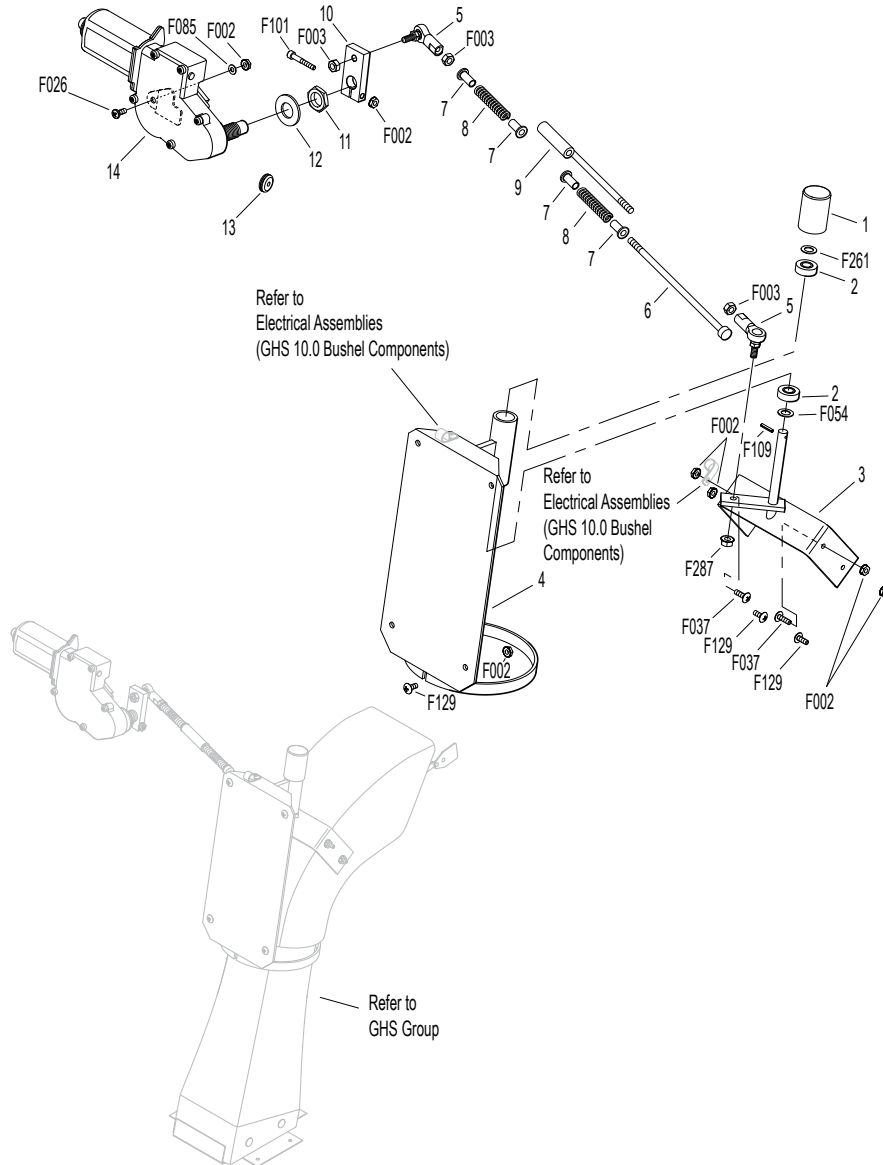


Beginning S/N 124812  
 Effective Date 10-02-13  
 Use only genuine **Walker®** replacement parts.

# GHS POWERFIL® ASSEMBLY (10.0)

ITEM NO.	PART NO.	DESCRIPTION	NO. REQ'D	ITEM NO.	PART NO.	DESCRIPTION	NO. REQ'D
<b>10.0 GHS Powerfil® Assembly</b>				<b>Fasteners</b>			
1	5551-3	Bearing Cap, Powerfil®	1	F002		10-24 Keps Nut	10
2	5551-1	Pivot Bearing (#S3PP)	2	F003		1/4-28 Hex Nut	3
3	5518-2	Pivot, Delivery Spout	1	F026		10-24 x 1/2 PPHMS	1
4	5517-2	Pivot Mount	1	F037		10-24 x 5/8 PTH Screw	2
5	5552	Ball Joint (1/4-28)	2	F054		AN960616 Washer	1
6	5558-1	Powerfil® Push Rod	1	F085		3/16 Rivet Backup Washer	1
7	5553-3	Bushing, Powerfil® Actuator	4	F101		10-24 x 1-1/4 SHC Screw	1
8	5553-1	Compression Spring (1/2 x 2)	2	F109		1/8 x 5/8 Roll Pin	1
9	5558-2	Powerfil® Actuator Rod	1	F129		10-24 x 1/2 PTHMS	6
	5549	Actuator Rod Assembly (Includes Items # 5-9 & F003)	*	F261		AN960616L Washer	1
10	5554	Actuator Arm	1	F287		1/4-28 Keps Nut	1
11	5519-3	Motor Mount Nut (5/8-24)	*	* Service Part Only			
12	5519-2	Motor Mount Washer	*				
13	5976-2	Grommet (3/16 x 3/4)	1				
14	5519-5	Actuator Motor (12V) (Includes Items # 11 & 12)	1				

# GHS POWERFIL® ASSEMBLY (10.0)



Beginning S/N 124812  
Effective Date 10-02-13  
Use only genuine **Walker**® replacement parts.

# GHS 10.0 BUSHEL CATCHER ASSEMBLY

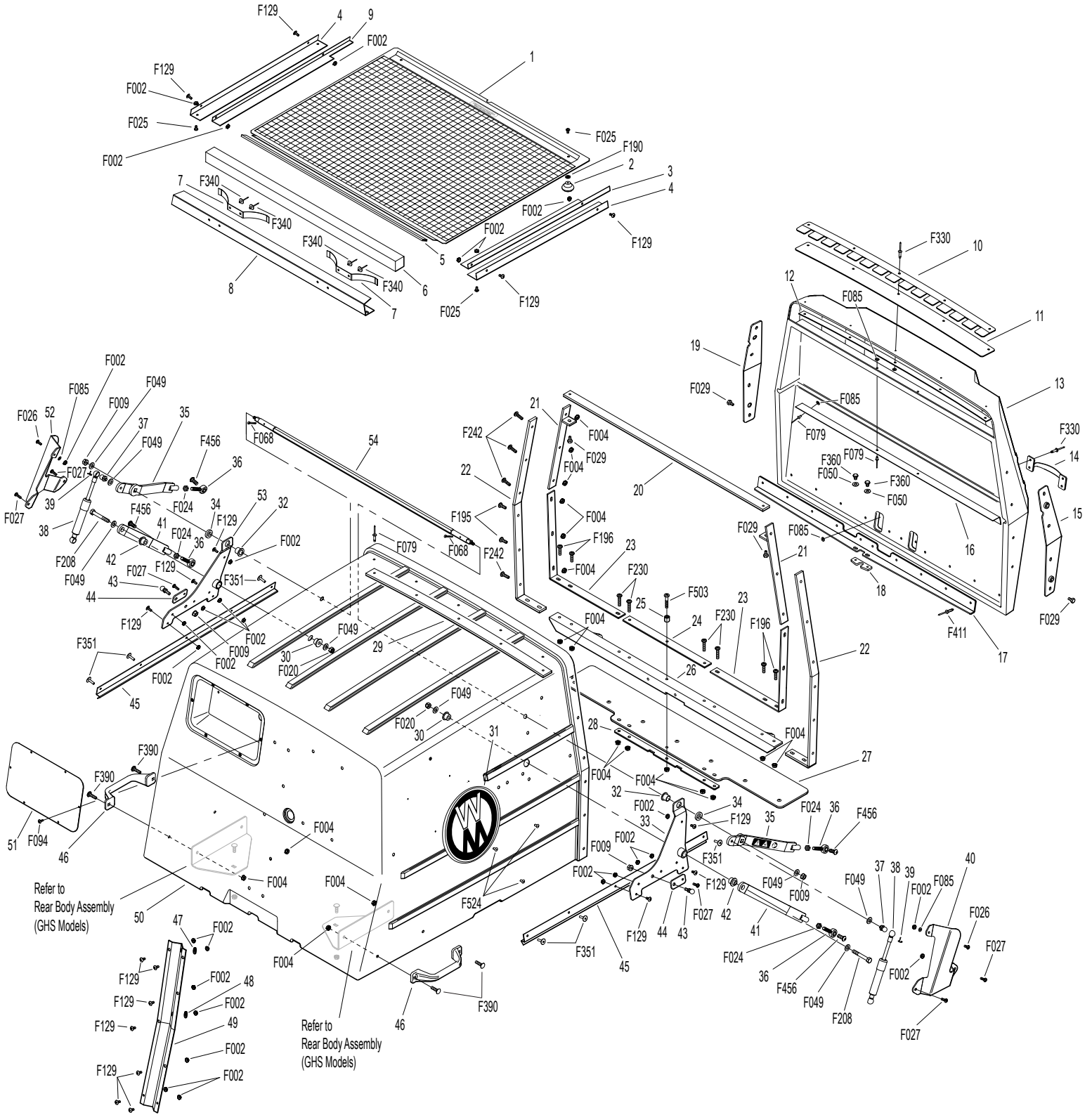
ITEM NO.	PART NO.	DESCRIPTION	NO. REQ'D	ITEM NO.	PART NO.	DESCRIPTION	NO. REQ'D
<b>Upper Baffle Screen Assembly (Removable)</b>				45	8608-10	Box Support, Gas Spring	2
1	7512-2	Removable Screen (3/16 Hole) (Includes Items # 2, 5, F025 & F190)	1**	46	7532-1	Handle, Catcher Lift	2
2	7506	Knob / Threaded Insert (10-24)	2	47	5977-3	Grommet (9/16)	1
3	8606-3	Channel Top, LH	1	48	5977	Grommet (1/2 x 7/8 x 1/16)	1
4	8606-2	Channel Bottom	2	49	8117	Wire Harness Channel	1
5	7856-1	Edge Molding (26")	1	50	8602-3	10.0 Catcher W/O Powerfil®, Gray (Includes Door)	*
6	7507	Screen Seal (27-1/2)	1		8602-4	10.0 Catcher W/Powerfil®, Gray (Includes Door)	*
7	7505	Mustache Spring	2		8610-5	10.0 Bushel Catcher Box, Gray	*
8	8606	C-Channel (10.0)	1	51	8607-9	Powerfil® Cover Plate	1
	8606-20	C-Channel With Spring (10.0) (Includes Items # 7, 8 & F340)	*	52	8155-2	Gas Spring Cover, RH	1
9	8606-4	Channel Top, RH	1	53	8608-8	Hinge Plate, RH	1
<b>10.0 Exhaust Deflector Door Assembly</b>				54	8608-9	Torsion Bar	1
10	8607-6	Upper Seal Support	1	<b>5598-2 Optional Dump Bag (Not Shown)</b>			
11	8607-5	Upper Door Seal	1	May be ordered as an option. Contact your Walker dealer.			
12	8607-11	Backup Plate	1	<b>Fasteners</b>			
13	8512-4	10.0 Catcher Box Door, Gray (Includes Items # 10-14, 16, 17, F085, F330 & F411)	1	F002	10-24 Keps Nut		31
14	5583	Handle	1	F004	1/4-20 Keps Nut		25
15	8607-1	Door Mount, LH	1	F009	5/16-18 Whiz Locknut		4
16	8607-12	Upper Door Stiffener	1	F020	5/16-18 ESNA Nut		2
17	8607-7	Lower Door Stiffener	1	F024	5/16-24 Jam Nut		4
18	8607-8	Door Guide	1	F025	10-24 x 3/8 PPHMS		4
19	8607-2	Door Mount, RH	1	F026	10-24 x 1/2 PPHMS		2
<b>GHS 10.0 Bushel Catcher Assembly</b>				F027	10-24 x 5/8 PPHMS		6
20	8608-5	Center Strap	1	F029	1/4-20 x 1/2 Hex Bolt		10
21	8608-3	Upper Frame Doubler	2	F049	5/16 SAE Washer		8
22	8608-1	Outside Box Strap, LH	2	F050	1/4 SAE Washer		2
23	8608-2	Lower Frame Doubler	2	F068	1/8 x 1 Cotter Pin		2
24	8608-4	Center Frame Doubler	1	F079	A/A66D Aluminum Pop Rivet		14
25	8608-11	Catcher Door Finger	1	F085	3/16 Rivet Backup Washer		13
26	8608-6	Catcher Mount	1	F094	8-32 x 1/2 PTHMS		6
27	8610-4	Catcher Dump Flap W/Plate 10.0	1	F129	10-24 x 1/2 PTHMS		17
28	8610-3	Backing Plate, Dump Flap	1	F190	#10 Internal Star Lock Washer		2
29	7584	Reinforcing Strap	1	F195	1/4-20 x 3/4 PPHMS, SS		4
30	5103-5	Pivot Bushing Inner	2	F196	1/4-20 x 1 PPHMS, SS		4
31	5801-3	Decal Plate, Round (Set of 2)	1	F208	5/16-18 x 2-1/4 Hex Bolt		2
32	7620-3	Pivot Bushing (1/2 x 9/16)	2	F230	1/4-20 x 1-1/4 PPHMS, SS		4
33	8608-7	Hinge Plate, LH	1	F242	1/4-20 x 7/8 PPHMS, SS		8
34	5103-7	Outside Torsion Bushing	2	F330	3/16D x 21/32L Rivet, SS		9
35	8607-4	Upper Arm	2	F340	Rivet, Aluminum		4
36	5214-12	Ball Joint (5/16-24)	4	F351	Aluminum Pop Rivet		6
37	5155-12	5/16 Ball Stud	2	F360	1/4-20 x 3/8 Hex Bolt		2
38	5155-4	Gas Spring	2	F390	1/4-20 x 7/8 Carriage Bolt		4
39	5147	Spring Clip	4	F411	3/16 Bulbex Rivet		10
40	8155-1	Gas Spring Cover, LH	1	F456	5/16-18 x 3/4 SBH Cap Screw, SS		4
41	8607-3	Lower Arm	2	F503	1/4-20 x 1-1/2 PPHMS, SS		1
42	5103-6	Pivot Bushing Outer	2	F524	3/16 x 3/8 Aluminum Rivet, Black		6
43	5155-13	3/4 Ball Stud	2	* Service Part Only			
44	5523-6	Gas Spring Plate	2	** This screen can be replaced by P/N 7512-3 Removable Screen (3/4" holes) for improved air flow performance in wet conditions.			

Beginning S/N 124812

Effective Date 10-02-13

Use only genuine Walker® replacement parts.

# GHS 10.0 BUSHEL CATCHER ASSEMBLY



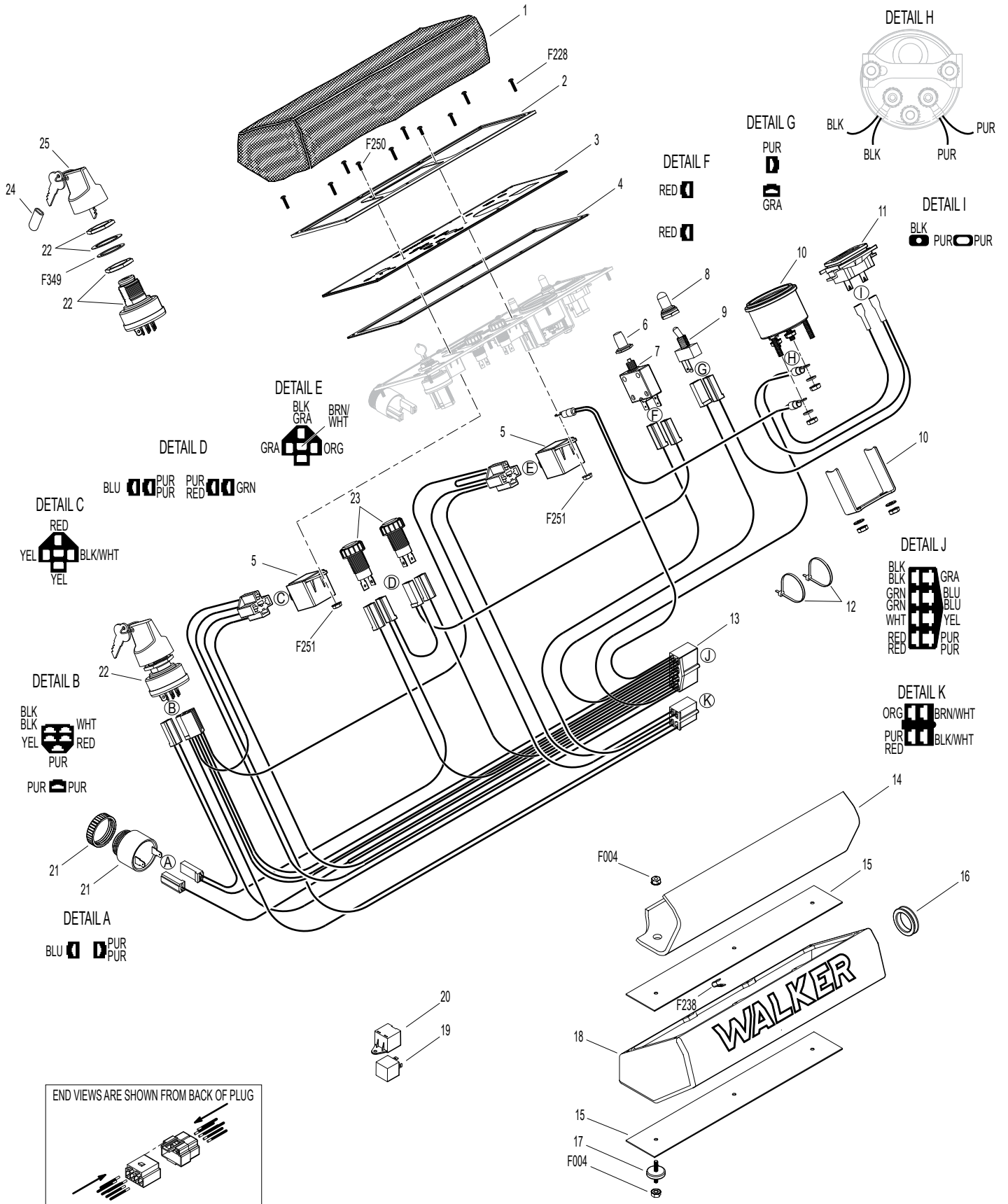
Beginning S/N 124812  
Effective Date 10-02-13  
Use only genuine Walker® replacement parts.

# INSTRUMENT PANEL ASSEMBLY

ITEM NO.	PART NO.	DESCRIPTION	NO. REQ'D	ITEM NO.	PART NO.	DESCRIPTION	NO. REQ'D
<b>Instrument Panel Assembly</b>				19	6941-6	Relay Switch (30/40 Amp)	*
1	7307-2	Instrument Panel Cover (Optional)	**	20	6941-7	Relay Mount	*
	8306-4	Instrument Panel Assembly (Includes Items # 2-11, 13, 21-23, 25, F228, F250, F251 & F349)	1	21	8536	Warning Horn	1
2	7307-7	Panel Frame	1	22	8960-15	Ignition Switch (with Keys) (Includes Items # 24, 25 & F349)	1
3	8820-5	Panel Faceplate W/Decal	1	23	8996-9	Red Indicator Light Assembly	2
4	7386	Panel Gasket	1	24	7854	Plastic Tip, Red	1
5	6942	Relay Switch (30/40 Amp) NC (Includes Items # 19 & 20)	2	25	8960-3	Key Set W/Umbrella	*
6	7941-3	Boot, Circuit Breaker	1	<b>Fasteners</b>			
7	7941-5	Circuit Breaker (7 Amp)	1	F004		1/4-20 Keps Nut	6
8	5995-2	Switch Boot	1	F228		#6 x 5/8 PPHSMS, SS	8
9	5995	Toggle Switch (Off-On)	1	F238		J Clip, Instrument Panel	8
10	8997	Voltmeter Gauge	1	F250		6-32 x 1/2 PPHMS	2
11	8990-1	Hourmeter (Global)	1	F251		6-32 Keps Nut	2
12	5975-1	Cable Tie (18# x 3-3/4")	2	F349		Washer .835 ID 1.122 OD, SS	1
13	8945-3	Wire Harness, Instrument Panel	1	* Service Part Only			
14	7307-16	Lining, Panel Box (1/8)	1	** May be ordered as an option. Contact your Walker dealer.			
15	7391	Panel Box Mount Plate	2	<b>NOTE:</b> Refer to <b>ELECTRICAL CONNECTORS</b> , Page 36 for identification of all Electrical Wiring Service Parts.			
16	7977-1	Grommet (1/8 x 1-1/16)	1				
17	7307-1	Shock Mount (1.0 x .25)	3				
18	8385	Panel Box W/Graphic	1				



# INSTRUMENT PANEL ASSEMBLY

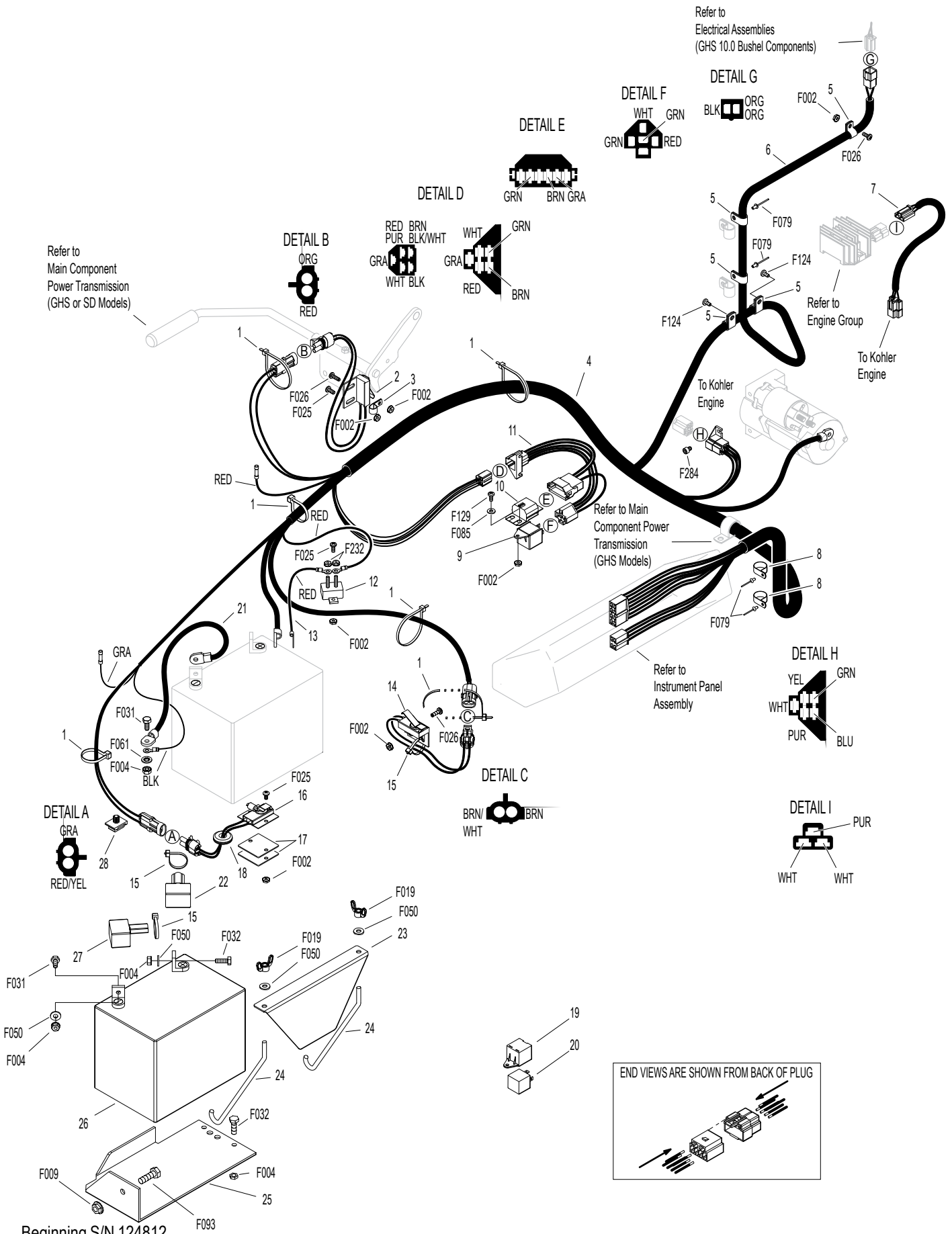


Beginning S/N 124812  
 Effective Date 10-02-13  
 Use only genuine Walker® replacement parts.

# ELECTRICAL ASSEMBLY

ITEM NO.	PART NO.	DESCRIPTION	NO. REQ'D	ITEM NO.	PART NO.	DESCRIPTION	NO. REQ'D
<b>Harness Assembly</b>				<b>Fasteners</b>			
1	5975-3	Cable Tie (50# x 7")	6	F002		10-24 Keps Nut	10
2	5942-4	Safety Switch (NO)	1	F004		1/4-20 Keps Nut	4
3	5833	Cable Clamp (1/4)	1	F009		5/16-18 Whiz Locknut	1
4	8940-3	Wire Harness	1	F019		1/4-20 ESNA Wing Nut	2
5	5832	Cable Clamp (1/2)	5	F025		10-24 x 3/8 PPHMS	5
6	8950	Wire Harness (9.5 / 10.0)	1	F026		10-24 x 1/2 PPHMS	3
7	8012-6	Regulator Adapter Harness	1	F031		1/4-20 x 5/8 Hex Bolt	2
8	7833-2	Cable Clamp (1 x 1/4)	2	F032		1/4-20 x 3/4 Hex Bolt	2
9	6942	Relay Switch (30/40 Amp) NC (Includes Items # 19 & 20)	1	F050		1/4 SAE Washer	4
10	7948-6	Time Delay Module	1	F061		1/4 Star Lock Washer	1
11	7948-5	Time Delay Harness	1	F079		A/A66D Aluminum Pop Rivet	4
12	8941	Circuit Breaker (30 Amp) Auto Reset / Sealed	1	F085		3/16 Rivet Backup Washer	1
13	8943	Positive Battery Lead Wire (Red)	1	F093		5/16-18 x 1 Hex Bolt	1
14	5942-5	Safety Switch (NO)	1	F124		10-32 x 3/8 Tapitite Machine Screw	2
15	5975-1	Cable Tie (18# x 3-3/4")	3	F129		10-24 x 1/2 PTHMS	1
16	5941-5	Safety Switch (NO)	1	F232		10-32 Keps Nut	2
17	7203-6	Riser Plate, Seat Switch	2	F284		M6 x 1.0 x 8 SCH Screw	1
18	5977-6	Grommet (1 x 1-1/4)	1				
19	6941-7	Relay Mount	*				
20	6941-6	Relay Switch (30/40 Amp)	*				
<b>Battery Assembly</b>				* Service Part Only			
21	6923	Negative Battery Cable	1	<b>NOTE:</b> Refer to <b>ELECTRICAL CONNECTORS</b> , Page 36 for identification of all Electrical Wiring Service Parts.			
22	5933	Battery Terminal Insul., Red (+)	1				
23	5844-3	Battery Hold-Down Bar	1				
24	5839	Hook Bolt	2				
25	7390-1	Battery Pan	1				
26	NS	Battery (12V/300CCA/Dry)	1				
27	5932	Battery Terminal Insul., Black (-)	1				
28	7834-2	Wire Saddle (2 Wires)	1				

# ELECTRICAL ASSEMBLY



Beginning S/N 124812  
 Effective Date 10-02-13  
 Use only genuine Walker® replacement parts.

# ELECTRICAL ASSEMBLIES (GHS 10.0 BUSHEL COMPONENTS)

ITEM NO.	PART NO.	DESCRIPTION	NO. REQ'D
----------	----------	-------------	-----------

## 10.0 Harness Components

1	5519-4	Adapter Harness	1
2	5975-1	Cable Tie (18# x 3-3/4")	1
3	7835	Frame Clip (3/16)	6
4	5975-3	Cable Tie (50# x 7")	1
5	5536-2	Horn, Full Signal	*
6	8950	9.5 / 10.0 Wire Harness	1
7	5977-2	Grommet, Cut (1/8 x 3/8)	1

## Grass-Pak® Switch Assemblies

8	5594-6	Aluminum Shaft & Vane Assembly	1
9	5592-21	Grass-Pak® Switch Assembly	1
10	5833	Cable Clamp (1/4)	2

ITEM NO.	PART NO.	DESCRIPTION	NO. REQ'D
----------	----------	-------------	-----------

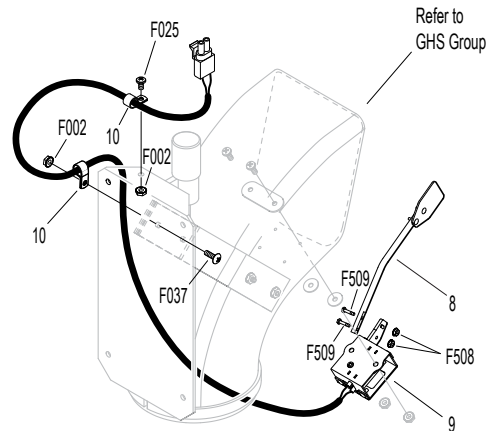
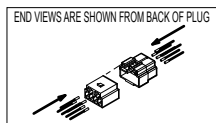
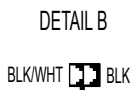
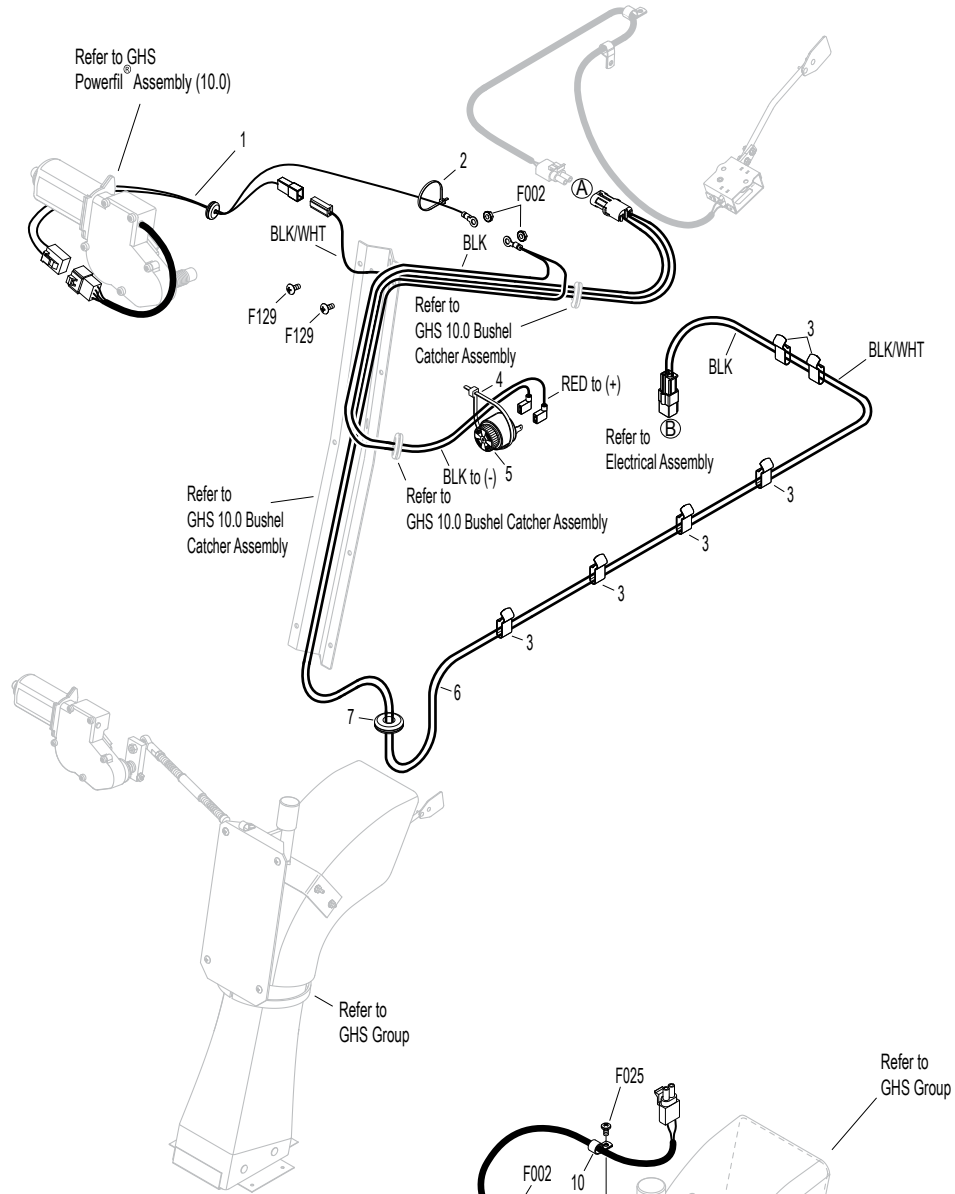
## Fasteners

F002	10-24 Keps Nut	4
F025	10-24 x 3/8 PPHMS	1
F037	10-24 x 5/8 PTH Screw	1
F129	10-24 x 1/2 PTHMS	2
F508	4-40 Keps Nut, SS	2
F509	4-40 x 1/2 Hex Head, SS	2

\* Service Part Only

**NOTE:** Refer to **ELECTRICAL CONNECTORS**, Page 36 for identification of all Electrical Wiring Service Parts.

# ELECTRICAL ASSEMBLIES (GHS 10.0 BUSHEL COMPONENTS)

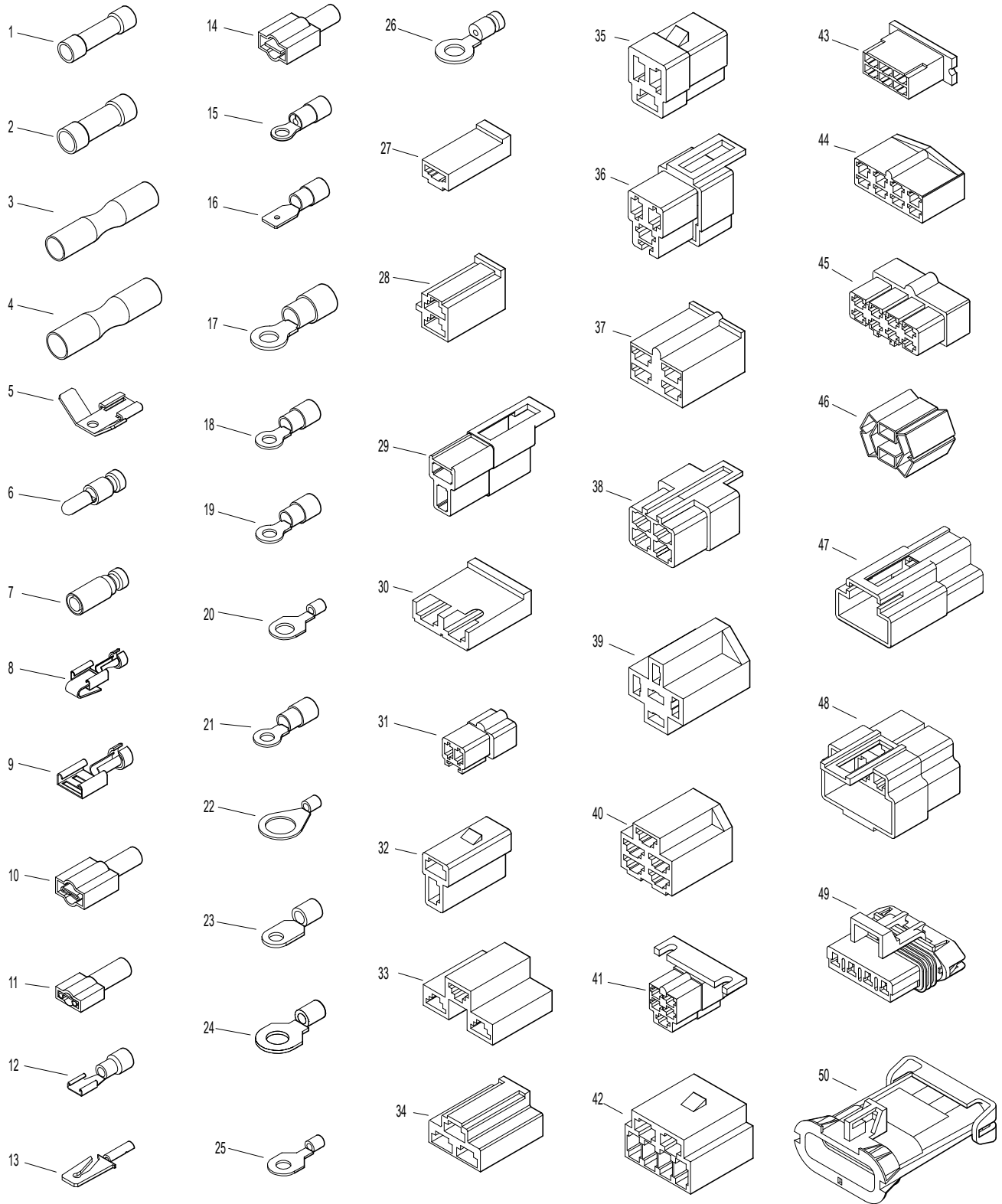


Beginning S/N 124812  
 Effective Date 10-02-13  
 Use only genuine **Walker**® replacement parts.

# ELECTRICAL CONNECTORS

ITEM NO.	PART NO.	DESCRIPTION	NO. REQ'D	ITEM NO.	PART NO.	DESCRIPTION	NO. REQ'D
<b>Electrical Wiring Service Parts</b>				29	7942-1	2-Way Locking Connector, Female	*
1	5996-1	16-14 GA Butt Connector	*	30	7942-2	2-Way Connector, Male	*
2	5996-11	12-10 GA Butt Connector	*	31	7942-3	2-Way Connector, Female	*
3	7942-14	16-14 GA Shrink Connector	*	32	7942-10	2-Way Locking Connector, Male	*
4	7942-13	12-10 GA Shrink Connector	*	33	5940-8	3-Way Connector, Male	*
5	5995-1	Wire Terminal Adapter	*	34	7942-9	3-Way Connector, Male	*
6	5996-4	16-14 GA Bullet Conn., Male	*	35	8944	3-Way Locking Connector, Male	*
7	5996-5	16-14 GA Bullet Conn., Female	*	36	8944-1	3-Way Locking Connector, Female	*
8	5940-4	16-14 GA Spg. Loaded Term., Female	*	37	7942-11	4-Way Connector, Male	*
9	5940-7	Wire Clip, Female	*	38	7942-12	4-Way Connector, Female	*
10	5996	1/4 x 16-14 GA QKS Term., Female	*	39	7942-5	5-Way Connector, Male	*
11	5996-2	3/16 x 22-18 GA QKS Term., Female	*	40	5940-2	5-Way Connector, Male	*
12	7996	16-14 GA QKS Term., Female	*	41	8942-1	5-Way Connector, Female	*
13	5940-5	16-14 GA Spg. Loaded Term., Male	*	42	7942-6	6-Way Connector, Male	*
14	5996-0	1/4 x 22-18 GA QKS Term., Male	*	43	7942-7	6-Way Connector, Male	*
15	5996-18	16-14 GA Ring Term. (#8) Nylon Insulated	*	44	7942-8	8-Way Connector, Male	*
16	7996-1	1/4 x 16-14 GA QKS Term., Male	*	45	8942-2	8-Way Connector, Female	*
17	5996-8	6 GA Ring Lug (5/16)	*	46	8942-3	5-Way Connector, Male	*
18	5996-9	22-18 GA Ring Term., #10	*	47	5940-9	3-Way Connector (M)	*
19	5996-10	16-14 GA Ring Term. (5/16)	*	48	7942-15	6-Way Connector (Female)	*
20	5996-12	12-10 GA Ring Term. (5/16)	*	49	7940-3	Packard Plug (Male)	*
21	5996-13	16-14 GA Ring Term., # 10	*	50	7940-4	Packard Plug (Female)	*
22	5996-15	12-10 GA Ring Term. (1/2)	*	* Service Part Only			
23	5996-16	6 GA Ring Terminal (1/4)	*	<b>NOTE:</b> Not all Electrical Connectors are used with all assemblies.			
24	5996-17	16-14 GA Ring Term. (1/4)	*	<b>NOTE:</b> Refer to <b>ELECTRICAL ASSEMBLY</b> , Page 32 for locations of Wiring Harness and of all Electrical Wiring Service Parts.			
25	5996-20	12-10 GA Ring Term. (1/4)	*				
26	5996-21	12-10 GA Ring Term., #10	*				
27	7942-4	Single Connector, Male	*				
28	8942	2-Way Connector, Male	*				

# ELECTRICAL CONNECTORS

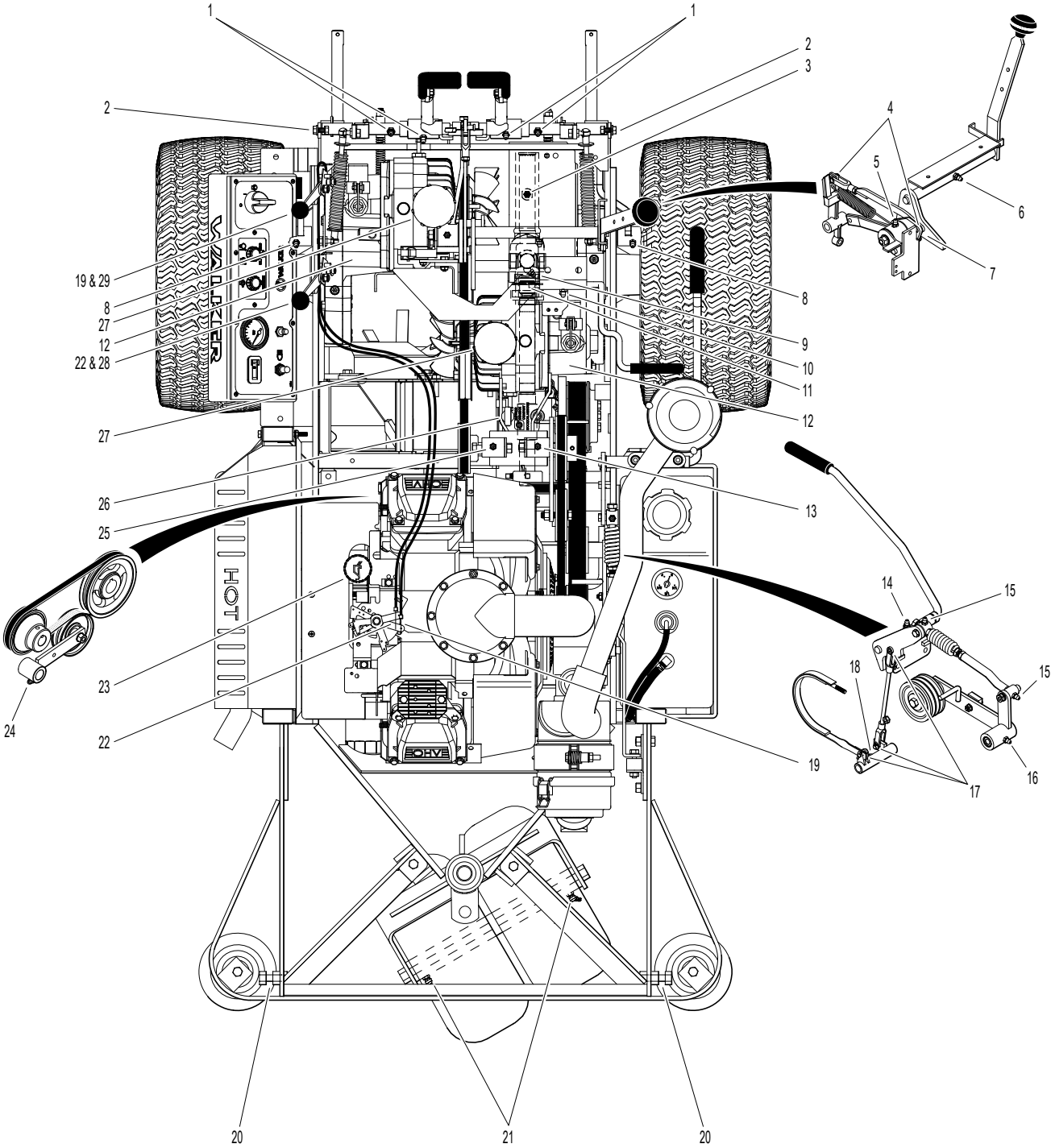


# LUBRICATION POINTS

ITEM NO.	LOCATION	LUBRICATION TYPE	NO. PLACES	ITEM NO.	LOCATION	LUBRICATION TYPE	NO. PLACES
<b>Lubrication Points</b>				19	Throttle Control Cable Ends	Oil	2
1	Steering Lever Pivot	Grease	4	20	Catcher Hinge Point	Oil	2
2	Body Hinge Point	Oil	2	21	Rear Wheel Bearings	Grease	2
3	Deck-to-PTO Coupling (Grease Spline Slide Area)	Grease	1	22	Choke Control Cable Ends	Oil	2
4	FSC Actuator Rod Pivot Pins	Oil	2	23	Engine Oil	Oil**	1
5	(FSC) Friction Body Pivot	Grease	1	24	Belt Tightener Pivot, Blower Drive (GHS Model Only)	Grease	1
6	FSC Lever Pivot	Grease	1	25	Belt Tightener Pivot, Ground Drive	Grease	1
7	FSC Lever Fork (Grease Slide Area)	Grease	1	26	PTO Gearbox Dipstick	Oil**	1
8	Deck Support Arm Pivot	Grease	2	27	Hydrostatic Drive	Oil**	2
9	Universal Joint Tube Assembly	Grease*	1	28	Choke Control Pivot	Oil	1
10	Parking Brake Lever	Grease	1	29	Throttle Control Pivot	Oil	1
11	Universal Joint Quick Connect Spline (Grease Slide Area)	Grease	1	* Grease every eight (8) hours.			
12	Gear Axle	Oil**	2	** Refer to MT <b>Owner's Manual</b> for procedure for checking and changing oil in Engine Crankcase, Hydrostatic Transmissions and Gear Axles.			
13	Belt Tightener Pivot, Jackshaft Drive	Grease	1	<b>NOTE:</b> See Model MT <b>Owner's Manual</b> (P/N 8000-16) for proper lubrication intervals.			
14	PTO Clutch Lever Pivot	Grease	1				
15	Clutch Actuator Push Rod	Grease	2				
16	Belt Tightener Pivot, PTO Clutch	Grease	1				
17	Brake Actuator Rod and Brake Band Pivot Pins (Clevis)	Oil	3				
18	Brake Actuator Pivot	Grease	1				

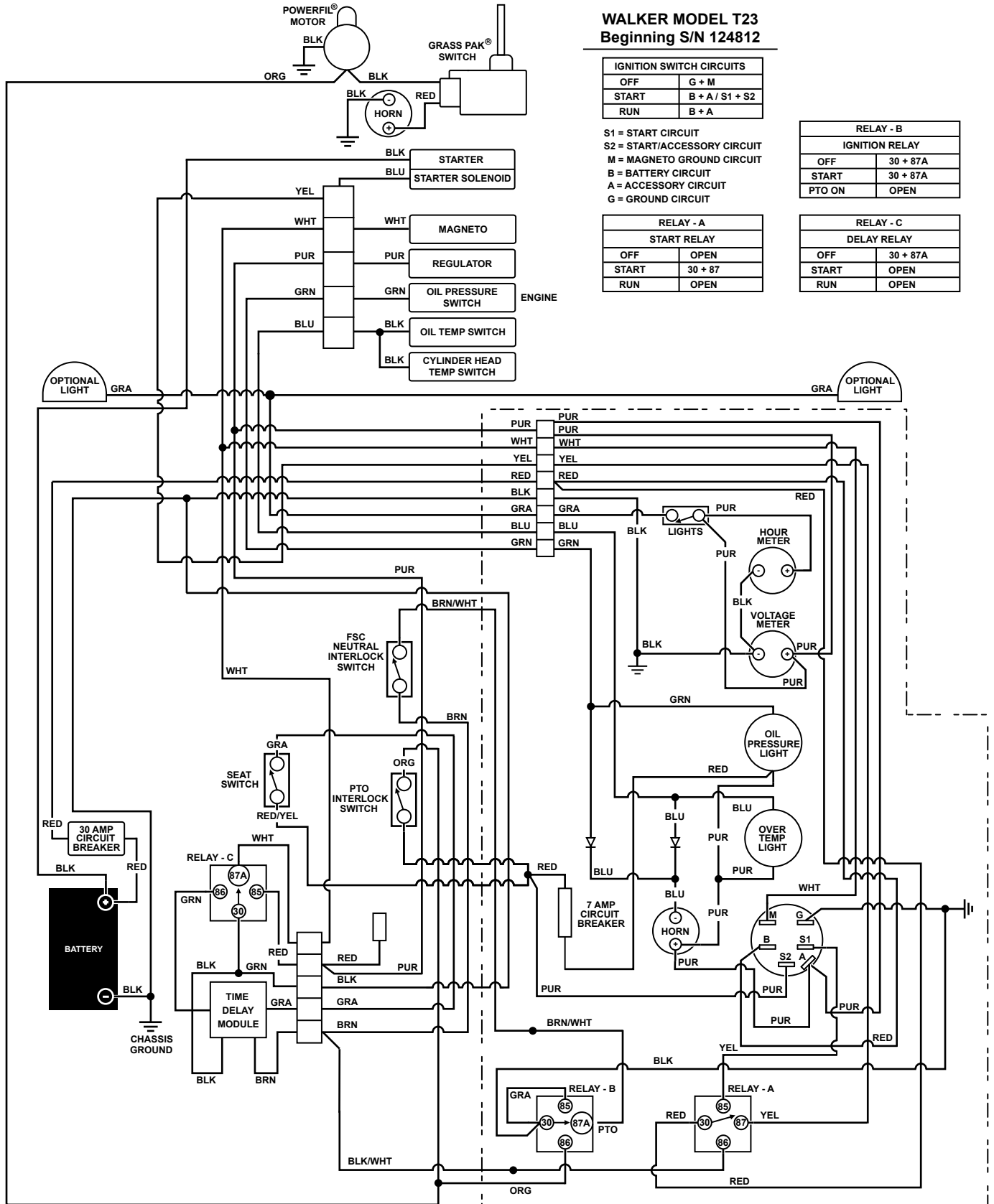


# LUBRICATION POINTS



Beginning S/N 124812  
Effective Date 10-02-13  
Use only genuine Walker® replacement parts.

# WIRING SCHEMATIC



## WALKER MODEL T23 Beginning S/N 124812

IGNITION SWITCH CIRCUITS	
OFF	G + M
START	B + A / S1 + S2
RUN	B + A

S1 = START CIRCUIT  
S2 = START/ACCESSORY CIRCUIT  
M = MAGNETO GROUND CIRCUIT  
B = BATTERY CIRCUIT  
A = ACCESSORY CIRCUIT  
G = GROUND CIRCUIT

RELAY - A START RELAY	
OFF	OPEN
START	30 + 87
RUN	OPEN

RELAY - B IGNITION RELAY	
OFF	30 + 87A
START	30 + 87A
PTO ON	OPEN

RELAY - C DELAY RELAY	
OFF	30 + 87A
START	OPEN
RUN	OPEN

# LIMITED WARRANTY FOR WALKER COMMERCIAL RIDER MOWER

## 1. WHAT THIS WARRANTY COVERS, AND FOR HOW LONG:

Walker Manufacturing company will, at its option, repair or replace, without charge, any part covered by this warranty which is found to be defective in material and/or workmanship within one (1) year\* after date of sale to the original retail purchaser unless the product is used for rental purposes, in which case this warranty is limited to ninety (90) days. At Walker's request, customer will make the defective part available for inspection by Walker and/or return the defective part to Walker, transportation charges prepaid. All parts and components of the Walker Mower are covered by this warranty **except** the following components which are warranted separately by their respective manufacturers:

Kohler Engine  
Battery

The available warranties covering these items are furnished with each mower. Walker does not assume any warranty obligation, liability or modification for these items, which are covered exclusively by the stated warranty of the respective manufacturers noted above.

\* Extended warranties are offered for the following powertrain components:

- A three (3) year unlimited hour warranty is offered for the Walker P/N 6200-9 Gear Axle Assembly.
- A three (3) year or 3000 hour (whichever comes first) warranty is offered for Eaton Model 7 Hydrostatic transmissions; covers full cost of replacement up to 1000 hours of use, and after 1000 hours warranty coverage is prorated against 3000 hours.

## 2. WHAT THIS WARRANTY DOES NOT COVER:

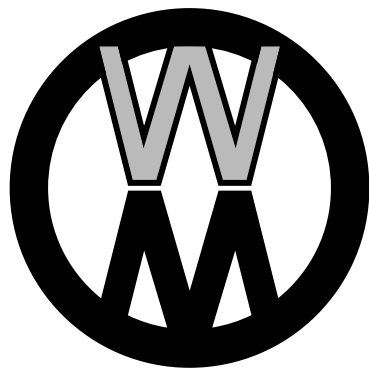
- A. This warranty does not cover defects caused by depreciation or damage caused by normal wear, accidents, improper maintenance, improper use or abuse of the product, alterations, or failure to follow the instructions contained in the Operator's Manual for operation and maintenance.
- B. The customer shall pay any charges for making service calls and/or for transporting the mower to and from the place where the inspection and/or warranty work is performed.

## 3. HOW TO OBTAIN SERVICE UNDER THIS WARRANTY:

Warranty service can be arranged by contacting the dealer where you purchased the mower or by contacting Walker Manufacturing Company, 5925 East Harmony Road, Ft. Collins, CO 80528. Proof of the date of purchase may be required to verify warranty coverage.

## 4. WARRANTY LIMITATION:

- A. **THERE IS NO OTHER EXPRESS WARRANTY. ANY WARRANTY THAT MAY BE IMPLIED FROM THIS PURCHASE INCLUDING MERCHANTABILITY AND FITNESS FOR A PARTICULAR PURPOSE IS HEREBY LIMITED TO THE DURATION OF THIS WARRANTY AND TO THE EXTENT PERMITTED BY LAW ANY AND ALL IMPLIED WARRANTIES ARE EXCLUDED.** Some states do not allow limitations on how long an implied warranty lasts, so the above limitations may not apply to you.
- B. **WALKER WILL NOT BE LIABLE FOR ANY INCIDENTAL, CONSEQUENTIAL, OR SPECIAL DAMAGES AND/OR EXPENSES IN CONNECTION WITH THE PURCHASE OR USE OF THE MOWER.** Some states do not allow the exclusion or limitation of incidental or consequential damages, so the above limitation(s) or exclusion(s) may not apply to you.
- C. Only the warranty expressed in this limited warranty shall apply and no dealer, distributor, or individual is authorized to amend, modify, or extend this warranty in any way. Accordingly, additional statements such as dealer advertising or presentations, whether oral or written, do not constitute warranties by Walker, and should not be relied upon.
- D. This warranty gives you specific legal rights, and you may also have other rights which vary from state to state.



**WALKER**

**WALKER MFG. CO. • 5925 E. HARMONY ROAD, FORT COLLINS, CO 80528 • (970) 221-5614**  
**FORM NO. 081715      PRINTED IN USA      [www.walkermowers.com](http://www.walkermowers.com)      ©2015 WALKER MFG. CO**