



WALKER

Illustrated Parts Manual

H37i



Beginning S/N: 150198
P/N 2000-23

KEY TO ABBREVIATIONS USED IN THIS MANUAL

<i>Abbreviation</i>	<i>What it Represents</i>
° (Dimension)	Degrees (Angle)
" (Dimension)	inches
(-)	Negative (Polarity)
(+)	Positive (Polarity)
AT	All-Terrain
CCW	Counter-clockwise
Conn	Connector
CW	Clockwise
D	Diameter
DC	Deck, Collection (number refers to size in inches)
DM	Deck, Mulching (number refers to size in inches)
DR	Deck, Rear Discharge (number refers to size in inches)
DS	Deck, Side Discharge (number refers to size in inches)
DU	Garlock (Bearing)
ESNA (Fastener)	Nylon Insert Locknut
FSC	Forward Speed Control
GA	Gauge
gal	gallon
GHS	Grass Handling System
GR (Fastener)	Grade
HD	Heavy Duty
HP	Horse Power
ID	Identification or Inside Diameter
L	Length
LH	Left Hand (orientated with operator on seat)
LP	Low Profile
mm (Dimension)	millimeters
MS (Fastener)	Machine Screw
NS (as part number)	Item is not sold by Walker Manufacturing
OD	Outside Diameter
oz	ounce
PFH (Fastener)	Phillips Flat Head
P/N	Part Number
PPH (Fastener)	Phillips Pan Head
PTH (Fastener)	Phillips Truss Head
PTO	Power Take-Off
QKS	Quick Slide
qt	quart
RH	Right Hand (orientated with operator on seat)
SAE (Fastener)	Society of Automotive Engineers
SBH (Fastener)	Socket Button Head (Bolt)
SD	Side Discharge
SFH (Fastener)	Slotted Flat Head
SHC (Fastener)	Socket Head Cap
SHL (Fastener)	Shoulder (Bolt)
SM (Fastener)	Sheet Metal (Screw)
S/N	Serial Number
Spg	Spring
SQH (Fastener)	Square Head
SS (Fastener)	Stainless Steel
ST (Fastener)	Self-Tapping (Screw)
Term	Terminal
V	Volts
VLR	Very Low Restriction

NOTE: In some instances, combinations of abbreviations may be used (e.g. PPHMS - Phillips Pan Head Machine Screw).

Beginning S/N 150198

Use only genuine **Walker**[®] replacement parts.

ILLUSTRATED PARTS LIST

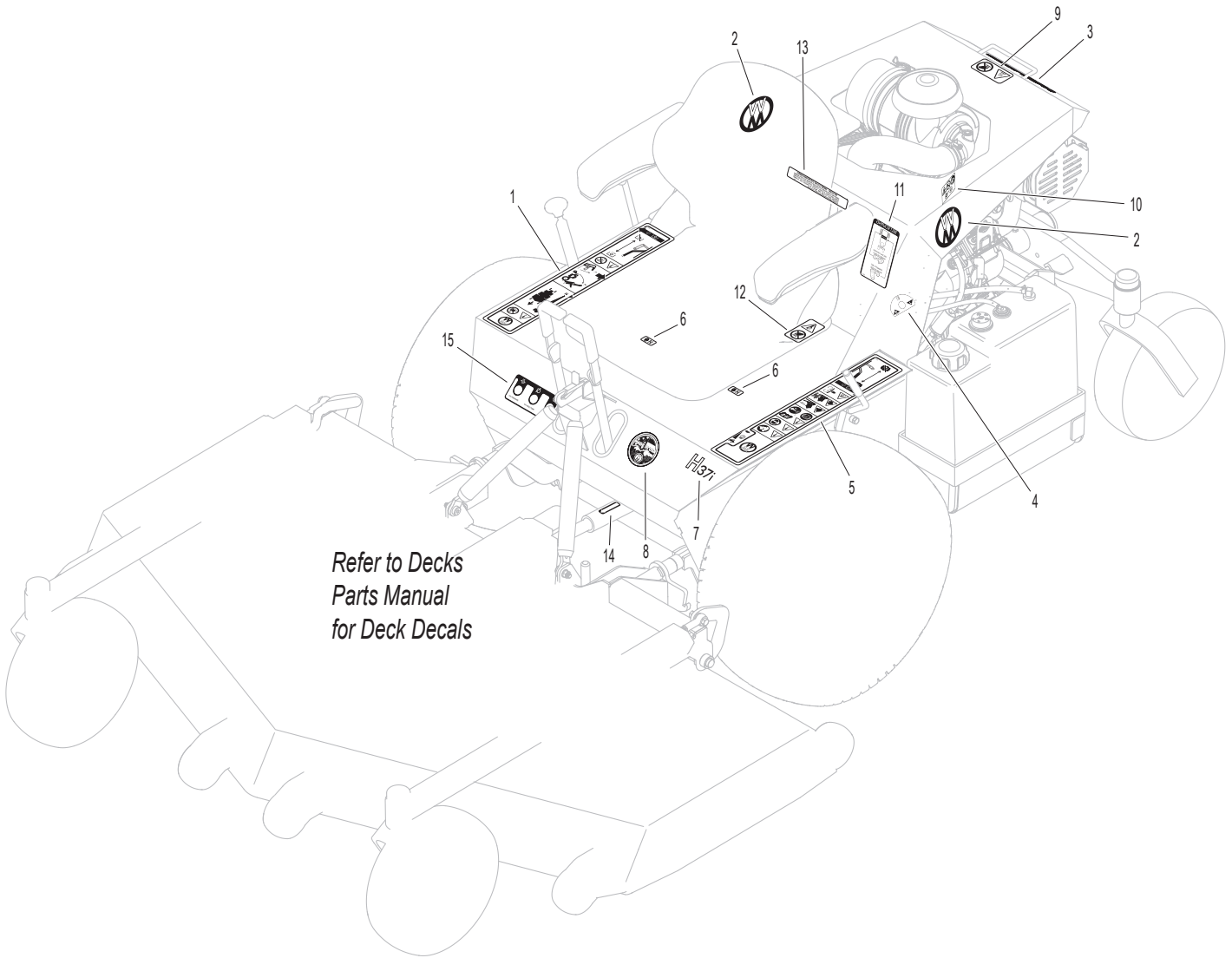
<i>Section of Tractor Covered</i>	<i>Page</i>	<i>Section of Tractor Covered</i>	<i>Page</i>
Decals		Electrical Components	
Tractor Decals	2	Electrical Assembly	16
Body / Chassis Assemblies		Maintenance	
Front & Rear Body Assemblies	4	Lubrication Points	18
Chassis Assembly.....	6	Wiring Schematic.....	20
Tractor Components		Warranty	
Main Component Power Transmission	8	Limited Warranty	21
Engine Group.....	10		
Hydrostatic Ground Drive Assemblies.....	12		
Steering Control Assemblies.....	14		

TRACTOR DECALS

ITEM NO.	PART NO.	DESCRIPTION	LOCATION	NO. REQ'D SD
Walker Product and Operation Decals				
1	2802-4	RH Fender	Body, RH near Seat	1
2	5800	Decal, Walker Round (4")	Rear Body (one on each side)	2
3	5800-7	Decal, Walker (8")	Rear Body	1
4	2010-16	Fuel Transfer	Transfer Mount, LH	1
5	2802-5	LH Fender	Body, LH near Seat	1
6	9804-1	Axle Lockout	Hydro Mount Plate	2
7	8821-23	Decal, H37i	Body	1
8	5856-1	Made in USA	Body	1
Danger Decals Warning Decals Caution Decals				
9	8600-5	Caution, Engine Exhaust	Rear Body	1
10	8600-12	Danger, Engine Exhaust	Engine, LH Side	1
11	2107-5	Decal, Belt Routing	Rear Body, Underside	1
12	8600-2	Danger, Rotating Components	Coupling Guard	1
Maintenance Decals				
13	5855	Important, Engine Cooling	Rear Body, Underside	1
14	6875	PTO Alignment Arrow	Universal Joint Tube Assembly	1
15	2807-7	Decal, System Warning	Body	1

NOTE: All parts requiring decals are shipped with decals applied.

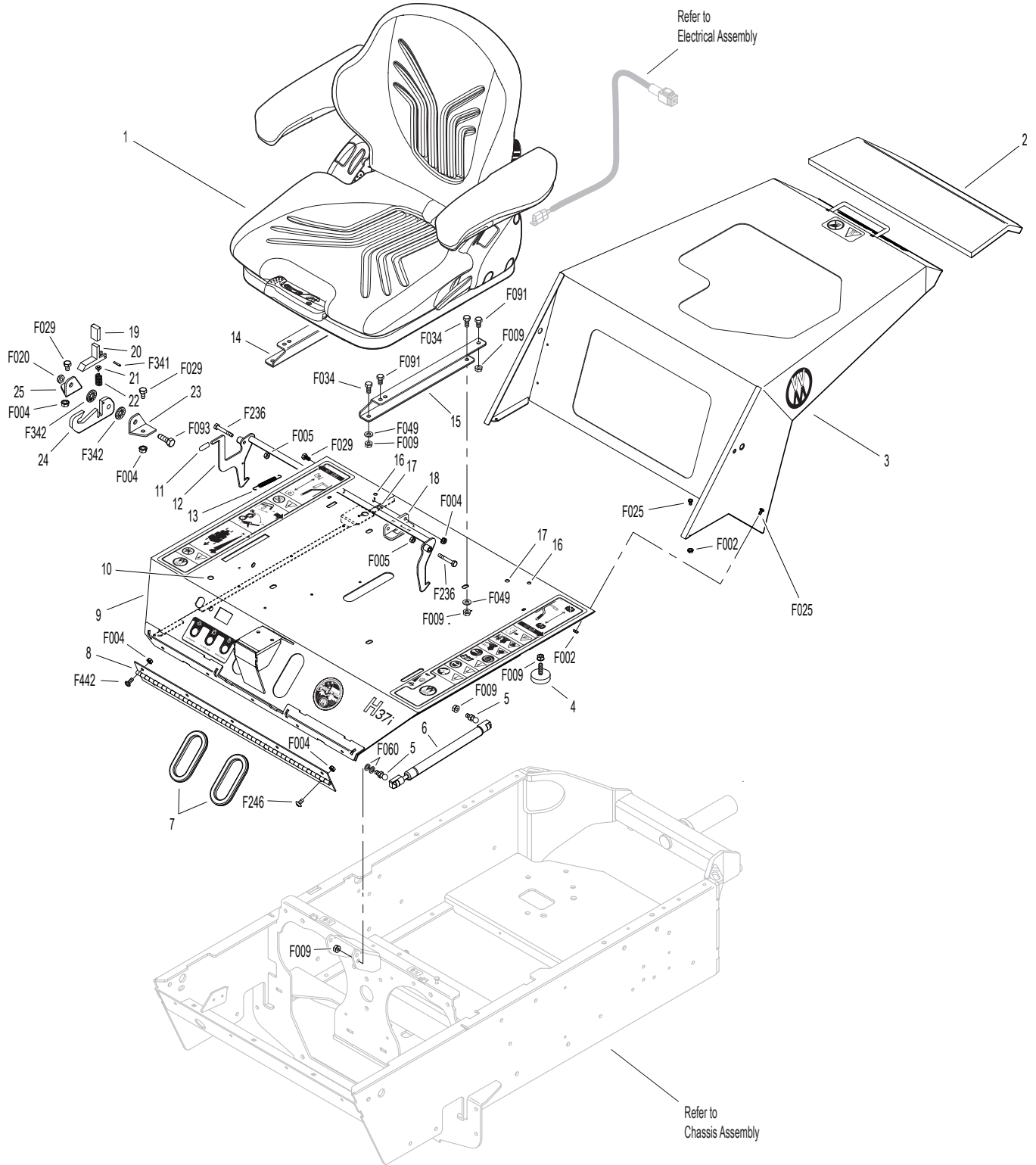
TRACTOR DECALS



FRONT & REAR BODY ASSEMBLIES

ITEM NO.	PART NO.	DESCRIPTION	NO. REQ'D	ITEM NO.	PART NO.	DESCRIPTION	NO. REQ'D
Body & Seat Assembly				Fasteners			
1	6103-14	Suspension Seat	1	F002		10-24 Keps Nut	13
2	2190-2	Insulation Foam Pad	1	F004		1/4-20 Keps Nut	13
3	2106-39	Rear Body	1	F005		1/4-20 ESNA Nut	2
4	7844	Rubber Bumper (1.25 x .250)	2	F009		5/16-18 Whiz Locknut	12
5	5146	10mm Ball Stud	2	F020		5/16-18 ESNA Nut	1
6	2145	Gas Spring	1	F025		10-24 x 3/8 PPHMS	13
7	5180	Edge Molding, Lever Opening	2	F029		1/4-20 x 1/2 Hex Bolt	4
8	2504-4	Hinge (22.5)	1	F034		5/16-18 x 3/4 Hex Bolt	4
9	2100-6	Front Body (Includes Item # 4)	1	F049		5/16 SAE Washer	4
10	5989-5	Dome Plug (7/16)	1	F060		AN960516 Washer	2
11	7854	Plastic Tip, Red	1	F091		5/16-18 x 5/8 Hex Bolt	4
12	2383	Body Latch Hook	1	F093		5/16-18 x 1 Hex Bolt	1
13	7222	Extension Spring (1/4 x 3)	1	F236		1/4-20 x 1-3/4 Hex Bolt	2
14	6103-44	Grammer Seat Mount Channel, RH	1	F246		1/4-20 x 1/2 PTHMS	4
15	6103-45	Grammer Seat Mount Channel, LH	1	F341		Coil Roll Pin (7/64 x 9/16)	1
16	5989-4	Dome Plug (3/8)	2	F342		5/16 Conical Washer	2
17	5989-3	Dome Plug (5/16)	2	F442		1/4-20 x 5/8 PTHMS	5
18	4102-1	Body Guide, Upper	1				
Tilt-Up Latch Assembly*				* Complete Tilt-Up Latch Assembly Kit available by ordering kit # 5747.			
19	5847	Plastic Tip	1				
20	5744-20	Spring Arm, Tilt-Up Latch	1				
21	5744-10	Spring Pivot Bushing	1				
22	5744-15	Compression Spring (3/8 x 5/8)	1				
23	5744-13	Mount Angle, LH	1				
24	5744-12	Hook, Tilt-Up Latch	1				
25	5744-14	Mount Angle, RH	1				

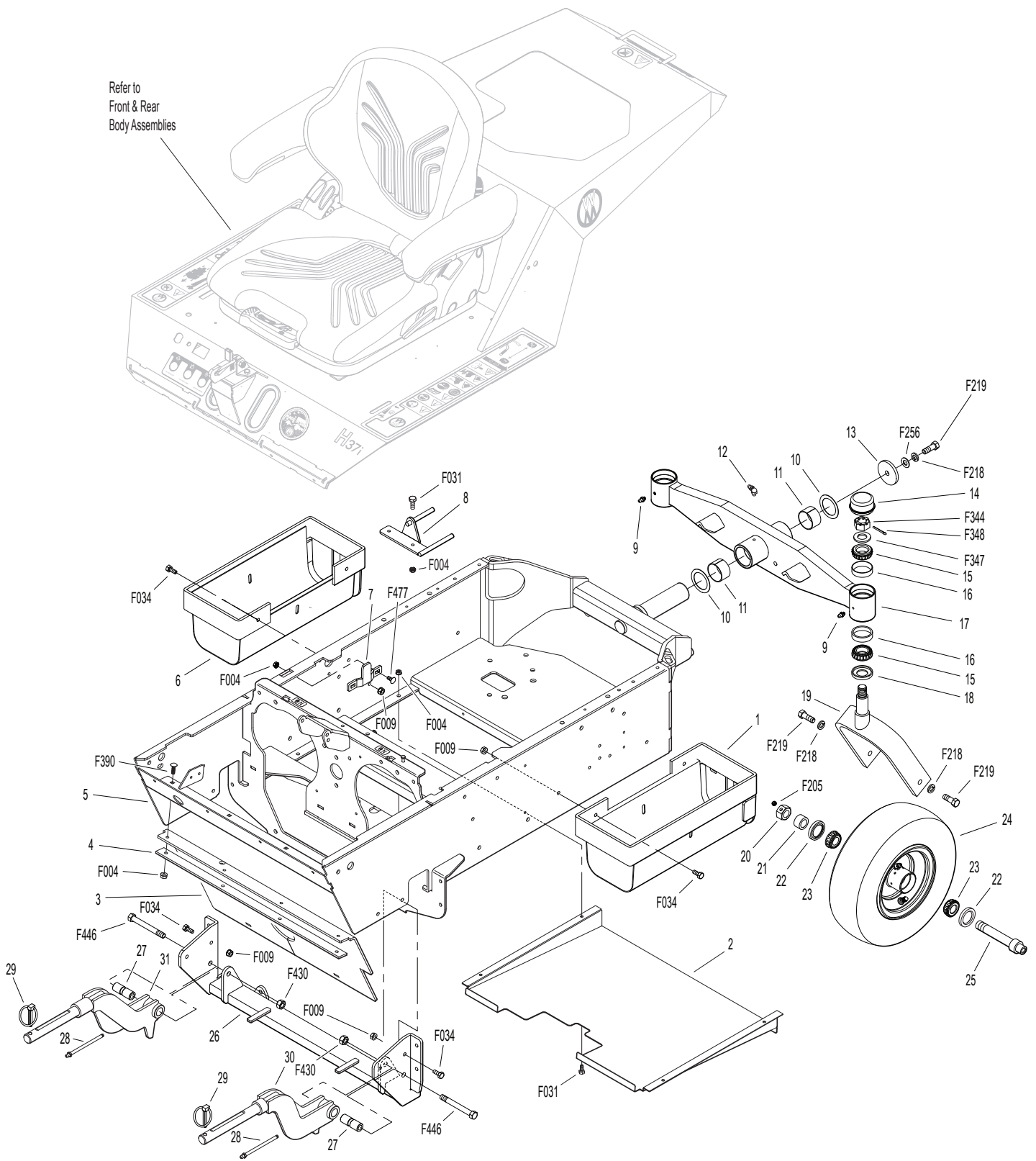
FRONT & REAR BODY ASSEMBLIES



CHASSIS ASSEMBLY

ITEM NO.	PART NO.	DESCRIPTION	NO. REQ'D	ITEM NO.	PART NO.	DESCRIPTION	NO. REQ'D
Chassis Assembly				Deck Support Arm & Hitch Assemblies			
1	2046-1	Gas Tank Mount, LH	1	26	2300-9	Deck Arm Support Mount	1
2	2301	Debris Shield (Includes Items # F004 & F031)	1	27	6840-1	Support Arm Bushing (2-1/16)	2
3	2301-8	Debris Guard	1	28	5830-1	5/16-24 4" Grease Fitting	2
4	2301-9	Back Up Plate	1	29	2775	Lynch Pin (5/16 x 1-1/4)	2
5	2300-15	Chassis Frame	1	30	2431-2	Deck Support Arm, LH (Includes Item # 28)	1
6	2046	Gas Tank Mount	1	31	2430-2	Deck Support Arm, RH (Includes Item # 28)	1
7	4102-2	Body Guide, Lower	1	Fasteners			
8	2325-8	Belt Guide	1	F004	1/4-20 Keps Nut		12
Tail Wheel Assembly				F009	5/16-18 Whiz Locknut		8
9	5830	Grease Fitting	2	F031	1/4-20 x 5/8 Hex Bolt		6
10	2201-2	Fiberglide Thrust Washer	2	F034	5/16-18 x 3/4 Hex Bolt		8
11	2201-3	Fiberglide Bearing (1-5/8)	2	F205	5/16-18 x 1/4 Set Screw (Knurl Point)		2
12	5830-4	Grease Fitting (90 Deg.)	1	F218	7/16 Split Lock Washer		5
13	2201-4	Washer (2-1/4 x 7/16 x 1/4 Thk)	1	F219	7/16-14 x 1-1/4 Hex Bolt		5
14	8769-8	Dust Cap, Deck Caster	2	F256	7/16 SAE Washer		1
15	8769-6	Bearing Cone (1" ID)	4	F344	3/4-16 Slotted Hex Nut		2
16	8769-5	Bearing Cup (2 x 1-5/8)	4	F347	3/4 SAE Washer		2
17	2300-10	Tail Wheel Pivot (Includes Items # 9, 11 & 12)	1	F348	1/8 x 1-1/2 Cotter Pin		2
18	8769-7	Seal	2	F390	1/4-20 x 7/8 Carriage Bolt		4
19	2770	Caster Wheel Fork	2	F430	7/16-20 ESNA Nut		2
20	8039	Nut, Tail Wheel Axle	2	F446	7/16-20 x 3-1/2 Grd 8 Bolt		2
21	8038-1	Spacer, Tail Wheel Axle (.750 ID x 1.125 OD)	2	F477	1/4-20 x 5/8 Carriage Bolt		2
22	8768-2	Seal, Reverse Lip	4				
23	8037	Bearing Cone (3/4 ID)	4				
24	8035	Tail Wheel & Tire (13 x 5.00-6) (W/Bearing Race)	2				
25	7038	Tail Wheel Axle (3/4 x 5-9/16)	2				

CHASSIS ASSEMBLY



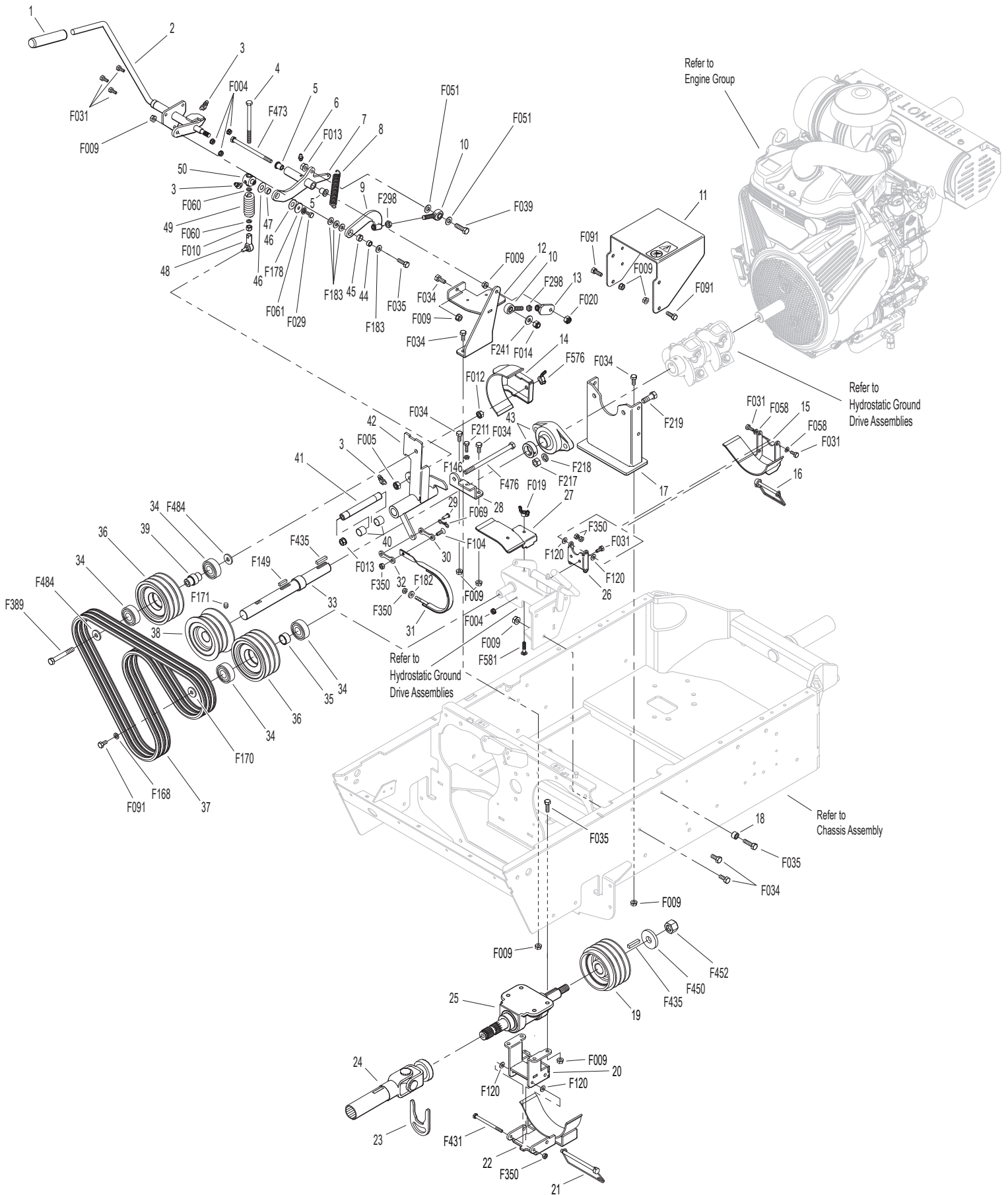
MAIN COMPONENT POWER TRANSMISSION

ITEM NO.	PART NO.	DESCRIPTION	NO. REQ'D	ITEM NO.	PART NO.	DESCRIPTION	NO. REQ'D
PTO Drive Assembly				Fasteners			
1	4850	Handle Grip, Black	1	F004		1/4-20 Keps Nut	5
2	2358-1	Clutch Lever (Includes Items # 1 & 3)	1	F005		1/4-20 ESNA Nut	1
3	5830-3	Grease Fitting (45 Deg.)	3	F009		5/16-18 Whiz Locknut	18
4	4303-7	Clutch Actuator Bolt (5/16)	1	F010		5/16-24 ESNA Nut	1
5	2306-2	Oilite Flanged Bushing	2	F012		3/8-16 Keps Nut	1
6	5830	Grease Fitting	1	F013		3/8-16 Whiz Locknut	2
7	2325-7	Clutch Arm (Includes Items # 5 & 6)	1	F014		3/8-16 ESNA Nut	1
8	5221-1	Extension Spring (3/4 x 5)	1	F019		1/4-20 ESNA Wing Nut	1
9	2358-11	Clutch Actuator	1	F020		5/16-18 ESNA Nut	1
10	5214-13	Ball Joint (3/8)	2	F029		1/4-20 x 1/2 Hex Bolt	1
11	2011-12	Flex Coupling Guard	1	F031		1/4-20 x 5/8 Hex Bolt	6
12	2358-9	Clutch Pivot Base	1	F034		5/16-18 x 3/4 Hex Bolt	9
13	2358-8	Adjustor Brace	1	F035		5/16-18 x 1-1/4 Hex Bolt	6
14	2302-16	Right Hand Shoe	1	F039		3/8-16 x 1-1/4 Hex Bolt	1
15	2302-3	Left Hand Shoe	1	F051		3/8 SAE Washer	2
16	7775-6	Wire Lock Pin (2-1/2")	1	F058		1/4 Wave Spring Washer	2
17	2349-7	Bearing Mount	1	F060		AN960516 Washer	2
18	2406-5	Spacer	1	F061		1/4 Star Lock Washer	1
19	2236-5	PTO Pulley (4.5/AAA)	1	F069		3/32 x 1/2 Cotter Pin	1
20	2359-1	Brake Band / Guard Mount	1	F091		5/16-18 x 5/8 Hex Bolt	5
21	7775-8	Wire Lock Pin (4")	1	F104		1/4-20 x 3/4 PFH Bolt	1
22	2302-5	PTO Shoe	1	F120		AN960416 Washer	4
23	7275-9	Quick Coupler Installation Tool	**	F146		1/4-20 Jam Nut	1
24	7275-16	Universal Joint Tube Assembly / Spline	1	F149		1/4 x 1/4 x 1-1/2 Key	1
25	2274-10	PTO Drive Shaft Assembly	*	F168		5/16 Split Lock Washer	1
26	2302-6	Shoe Mount, LH	1	F170		5/16 x 1 x 7/64 Flat Washer (Zinc Plate)	1
27	2302-17	Upper Shoe, LH	1	F171		5/16-18 x 3/8 Set Screw	1
28	2358-7	Clutch / Pivot Stop	1	F178		1/4 x 1 Fender Washer	1
29	7523-2	Clevis Pin W/Hole (1/4 x 5/8)	1	F182		1/4 x 5/8 x 1/8 Washer	1
30	4359-2	Brake Band Link, Rear	1	F183		.312 x .700 x .074 Washer	4
31	8304	Brake Band (14-1/2)	1	F211		1/4-20 x 7/8 Hex Bolt	2
32	4359-1	Brake Band Link, Front	1	F217		7/16-14 Hex Nut	2
33	2410-2	Drive Shaft	1	F218		7/16 Split Lock Washer	2
34	2265	Bearing (20mm)	4	F219		7/16-14 x 1-1/4 Hex Bolt	2
35	2406-7	Pivot Shaft Spacer	1	F241		.375 x .875 x .10 Washer	1
36	2236-1	Idler Pulley (4.5/AAA)	2	F298		3/8-24 Jam Nut	2
37	2230	Engine PTO Belt / Set (3)	1	F350		1/4-20 LP Nylock	5
38	2236-6	Pulley (Includes Items # F149 & F171)	1	F389		3/8-16 x 2-3/4 Hex Bolt	1
39	2236-4	Idler Pulley Shaft	1	F431		1/4-20 x 3-1/2 Hex Bolt	1
40	7201-3	Fiberglide Bearing	2	F435		1/4 x 1/4 x 1-1/4 Key	2
41	7201-9	Inner Race	1	F450		Washer 5/8 x 1-3/4 x 1/4	1
42	2359-3	Clutch Idler Arm (Includes Items # 3 & 40)	1	F452		5/8-18 Nylon Locknut	1
43	2349-6	Flanged Bearing	1	F473		5/16-18 x 5 Hex Bolt	1
44	2358-12	Fiberglide Bushing	1	F476		3/8-16 x 6-1/2 Hex Bolt	1
45	7201-2	Fiberglide Bearing 1/2"	1	F484		Washer .380 ID x 1.0 OD x .120	2
46	7377	Plastic Washer (1 x .438 x .025)	2	F576		3/8-16 ESNA Wing Nut	1
47	7378	Pivot Bearing (7/16 x 9/16)	1	F581		1/4-20 x 1-1/4" Carriage Bolt	1
48	5214-2	Ball Joint (5/16-24) (Nylon Lined)	1				
49	7226	Compression Spring (3/4 x 2-1/2)	1				
50	7380	Knuckle Joint	1				

* Service Part Only

** The Quick Coupler Installation Tool is used to assist the installation of the Quick Coupler Tube and PTO Shaft connection by holding the disconnect ring in the retracted position when joined to the tractor spline shaft on the PTO Drive Shaft.

MAIN COMPONENT POWER TRANSMISSION



Beginning S/N 150198
 Use only genuine **Walker**® replacement parts.

ENGINE GROUP

ITEM NO.	PART NO.	DESCRIPTION	NO. REQ'D	ITEM NO.	PART NO.	DESCRIPTION	NO. REQ'D	
Fuel Tank Assembly				Throttle Assembly				
1	5082-4	2-1/4 Ratchet Fuel Cap (EPA)	2	29	4109-5	Control Cable (71")	1	
2	8055-2	Fuel Tank Gauge	2	30	5108-1	Control Lever, Throttle / Choke	1	
3	8043-8	Roll Over Valve	2	31	5108-5	Throttle Control Knob, Red	1	
4	5977-7	Roll Over Grommet (.900 x 1-1/2)	2	32	5108-11	Friction Washer (.062)	1	
5	5083-8	Tank Tube (13")	2	33	7108	Control Assembly	1	
6	5879-3	Hose Clamp (1/2)	7			(Includes Items # 30, 32, 34-36 & F201)		
7	M111	Fuel Line (1/4 x 32")	1**		4108-5	Throttle Control and Cable Assembly	*	
8	M113	Fuel Line (3/16 x 29")	1**			(Includes Items # 29-32, 34-37, F002, F005, F050, F164 & F201)		
9	5083-1	Bushing, Rubber (Fits 5083)	2	34	5108-8	Control Bracket	1	
10	5975-3	Cable Tie (50# x 7")	4	35	5108-10	Friction Washer (.125)	1	
11	8043-6	Connector "Y"	1	36	5108-7	Control Lock Tab	1	
12	M111	Fuel Line (1/4 x 14")	1**	37	5172	Bearing, Delrin (.255 ID x .379 OD x .250)	1	
13	NS	Fuel Filter (Briggs & Stratton)	1	Fasteners				
14	4011-4	Female Cap (9/16-18)	1		F002	10-24 Keps Nut	7	
15	4011-3	Metric Elbow (14 x 1.5 MM)	1		F005	1/4-20 ESNA Nut	1	
16	M111	Fuel Line (1/4 x 12")	1**		F013	3/8-16 Whiz Locknut	6	
17	M113	Fuel Line (3/16 x 11")	1**		F025	10-24 x 3/8 PPHMS	6	
18	8055-1	Fuel Tank, 4.7 Gallon, Gas (Black) (Includes Items # 2-5, 9, 19 & 20)	2		F044	5/16-24 x 3/4 Hex Bolt	2	
19	5086-7	Hose (1/4 x 6)	2		F050	1/4 SAE Washer	1	
20	5020-2	Fuel Filter, In Tank	2		F051	3/8 SAE Washer	4	
21	2010-3	Fuel Valve	1		F106	3/8-16 x 5/8 Hex Bolt	2	
Engine Assembly						F164	10-24 x 1/4 x 3/8 SHL Bolt	1
22	NS	Air Cleaner Cartridge (Briggs & Stratton)	1		F168	5/16 Split Lock Washer	2	
23	NS	Safety Filter Insert (Briggs & Stratton)	1		F184	1/4-20 x 1/2 Hex Bolt, SS	4	
24	NS	37 HP Engine, EFI (Briggs & Stratton)	*		F185	1/4 Internal Star Lock Washer, SS	4	
25	2013-16	Muffler Guard, RH	1		F198	.250 x .625 x .040 Washer, SS	2	
26	2013-17	Muffler Guard	1		F201	1/4 Belleville Spring Washer	2	
27	2013-15	Muffler Guard, LH	1		F388	3/8-16 x 2-1/2 Hex Bolt	4	
28	2014	Shaft Cover	1		F597	M6 x 1 x 20 Set Screw, SS	2	
					F598	M6 Keps Nut	2	

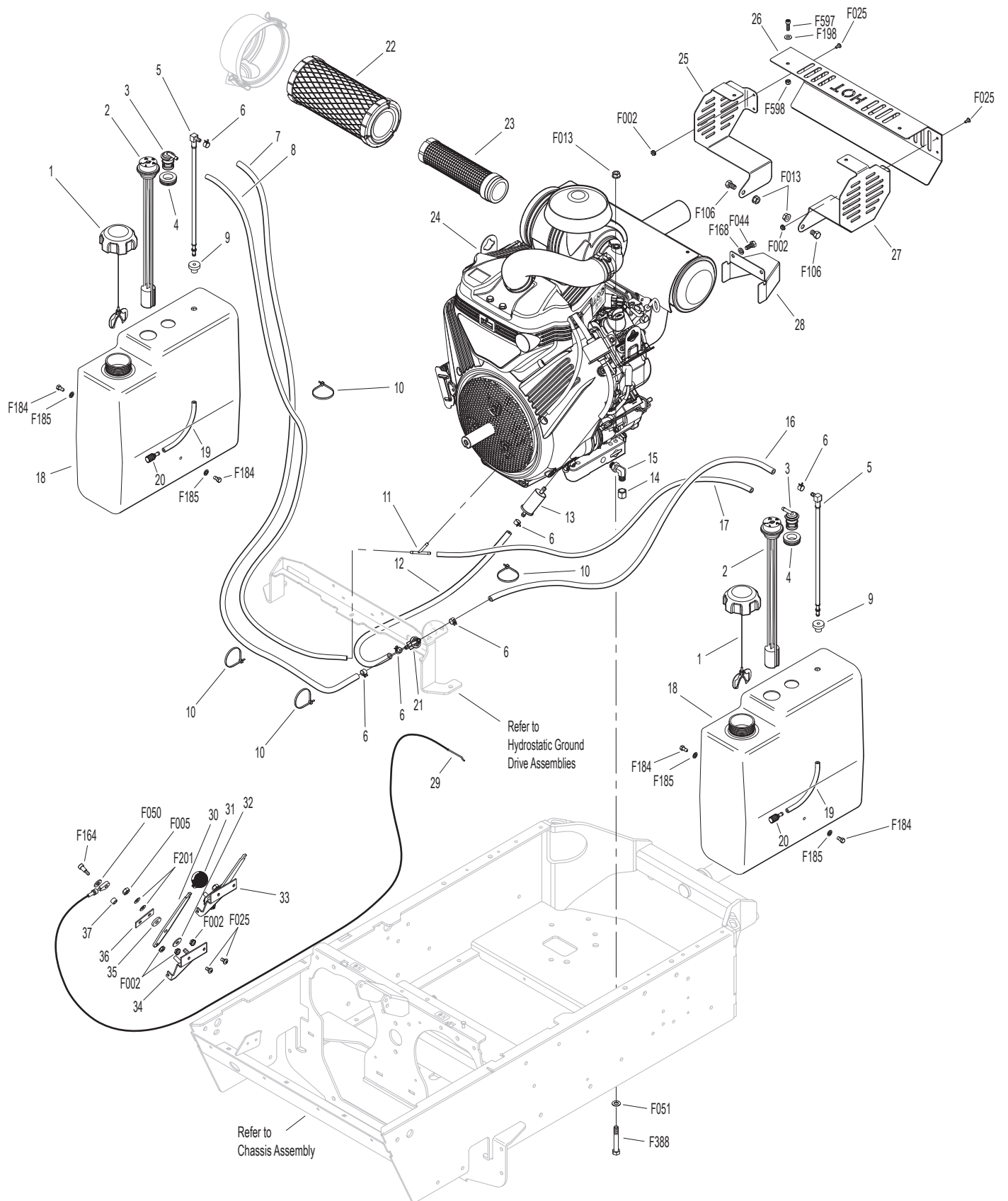
* Service Part Only

**** Required hose specifications:**

M111 - 1/4" ID fuel/oil/vapor hose (Gates 4219-0103 or equivalent)

M113 - 3/16" ID fuel/oil/vapor hose (Gates 4219-0093 or equivalent)

ENGINE GROUP

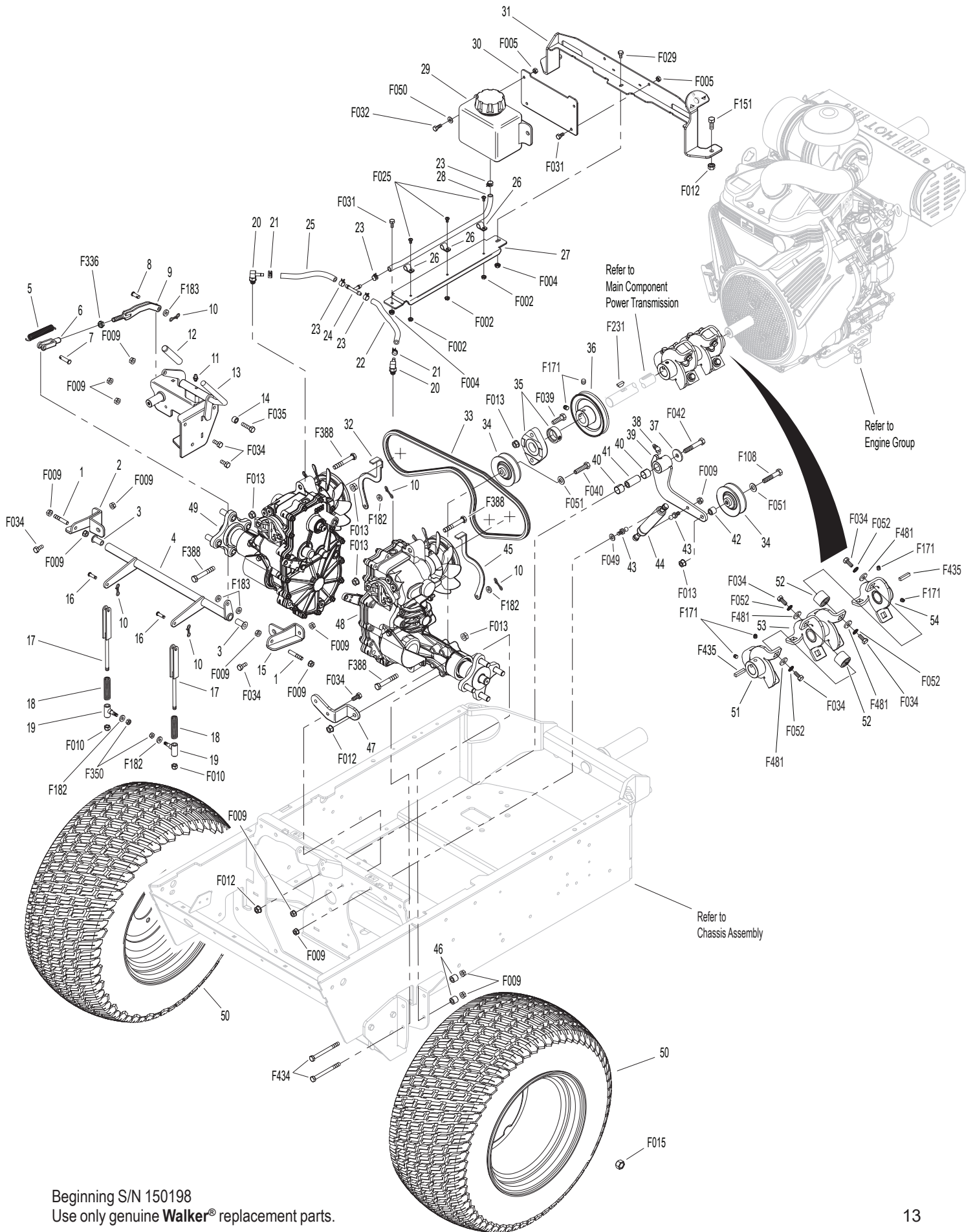


Beginning S/N 150198
 Use only genuine **Walker**® replacement parts.

HYDROSTATIC GROUND DRIVE ASSEMBLIES

ITEM NO.	PART NO.	DESCRIPTION	NO. REQ'D	ITEM NO.	PART NO.	DESCRIPTION	NO. REQ'D
Parking Brake Assembly				47	2349-15	Idler Mount	1
1	2358-6	5/16-18 x 1-3/4 Stud	2	48	2025-13	Hydro-Gear ZT3400, LH	1
2	2300-2	Parking Brake Hydro Mount, RH	1	49	2026-13	Hydro-Gear ZT3400, RH	1
3	5103-2	Pivot Bushing (5/16 ID)	2	Wheel Assembly			
4	2406-3	Parking Brake Actuator Tube	1	50	2071	Wheel & Tire (22 x 10.50-12)	2
5	5222	Extension Spring (1/2 x 3-1/4)	1	PTO Coupler			
6	2280	Clevis (3/8)	1	51	2351-3	Flex Coupler Half (Includes Items # F171 & F435)	1
7	2406-4	Clevis Pin (5/16 x 1-1/8)	1	52	2351-1	Rubber Iso Coupler	6
8	8655-4	Clevis Pin (5/16 x 3/4)	1	53	2351-7	Inner Flex Coupler Half (1/4)	1
9	2406-1	Brake Actuator Pull	1	54	2351-14	Flex Coupler Half (Includes Items # F171 & F435)	1
10	4407-4	Bow Tie Cotter Pin	5	Fasteners			
11	5830	Grease Fitting	1	F002	10-24 Keps Nut		3
12	7406-1	Handle Grip, Red	1	F004	1/4-20 Keps Nut		2
13	2406-13	Parking Brake Idler Mount (Includes Items # 11 & 12)	1	F005	1/4-20 ESNA Nut		4
14	2406-5	Spacer	1	F009	5/16-18 Whiz Locknut		17
15	2300-1	Parking Brake Hydro Mount, LH	1	F010	5/16-24 ESNA Nut		2
16	5281-5	Clevis Pin (1/4 x 0.80)	2	F012	3/8-16 Keps Nut		4
17	2406-10	Parking Brake Rod	2	F013	3/8-16 Whiz Locknut		7
18	5665-1	Compression Spring (2-1/2)	2	F015	1/2-20 Wheel Lug Nut		8
19	5463	Steering Lever Actuator	2	F025	10-24 x 3/8 PPHMS		3
Transaxle Reservoir Assemblies				F029	1/4-20 x 1/2 Hex Bolt		1
20	2025-17	Straight Thread Hose Fitting	2	F031	1/4-20 x 5/8 Hex Bolt		3
21	5879-4	Hose Clamp (7/16)	2	F032	1/4-20 x 3/4 Hex Bolt		2
22	M111	Hose (1/4 x 6-1/2")	1*	F034	5/16-18 x 3/4 Hex Bolt		18
23	5879-3	Hose Clamp (1/2)	4	F035	5/16-18 x 1-1/4 Hex Bolt		1
24	8043-9	1/4 x 1/4 x 1/4 Tee	1	F039	3/8-16 x 1-1/4 Hex Bolt		2
25	M111	Hose (1/4 x 6-1/4")	1*	F040	3/8-16 x 1-1/2 Hex Bolt		1
26	5832	Cable Clamp (1/2)	3	F042	3/8-16 x 2-1/4 Hex Bolt		1
27	2025-19	Hose Channel	1	F049	5/16 SAE Washer		1
28	M111	Hose (1/4 x 15")	1*	F050	1/4 SAE Washer		2
29	2024-1	Oil Expansion Reservoir (1 Qt.)	1	F051	3/8 SAE Washer		2
30	2025-23	Bottle Mount	1	F052	5/16 Ext. Star Lock Washer		12
31	2025-22	Reservoir Bottle Mount	1	F108	3/8-16 x 2 Hex Bolt		1
Ground Drive Assemblies				F151	3/8-16 x 7/8 Hex Bolt		2
32	2028-8	Lockout Arm, RH	1	F171	5/16-18 x 3/8 Set Screw		6
33	2248-1	Ground Drive Belt	1	F182	1/4 x 5/8 x 1/8 Washer		4
34	4245	Idler Pulley (3/A)	2	F183	.312 x .700 x .074 Washer		3
35	4349-12	Flanged Bearing (1")	1	F231	1/4 x 3/4 Woodruff Key (#806)		1
36	2240-2	Drive Pulley (Includes Item # F171)	1	F336	3/8-16 Jam Nut		1
37	5841	Retainer Washer (3/8 x 1-1/4)	1	F350	1/4-20 LP Nylock		2
38	5830-3	Grease Fitting (45 Deg.)	1	F388	3/8-16 x 2-1/2 Hex Bolt		4
39	2349-14	Transmission Belt Tensioner (Includes Items # 38 & 40)	1	F434	5/16-18 x 3-1/2 Hex Bolt		4
40	7201-3	Fiberglide Bearing	2	F435	1/4 x 1/4 x 1-1/4 Key		2
41	7201-4	Inner Race (1-1/2)	1	F481	Washer 5/16 x 1 x .125		12
42	6325-3	Spacer Bushing (9/16)	1	* Required hose specifications:			
43	5146	10mm Ball Stud	2	M111 - 1/4" ID fuel/oil/vapor hose (Gates 4219-0103 or equivalent)			
44	2215-6	Pressure Dampener	1				
45	2028-7	Lockout Arm, LH	1				
46	9430-1	Spacer Tube	4				

HYDROSTATIC GROUND DRIVE ASSEMBLIES

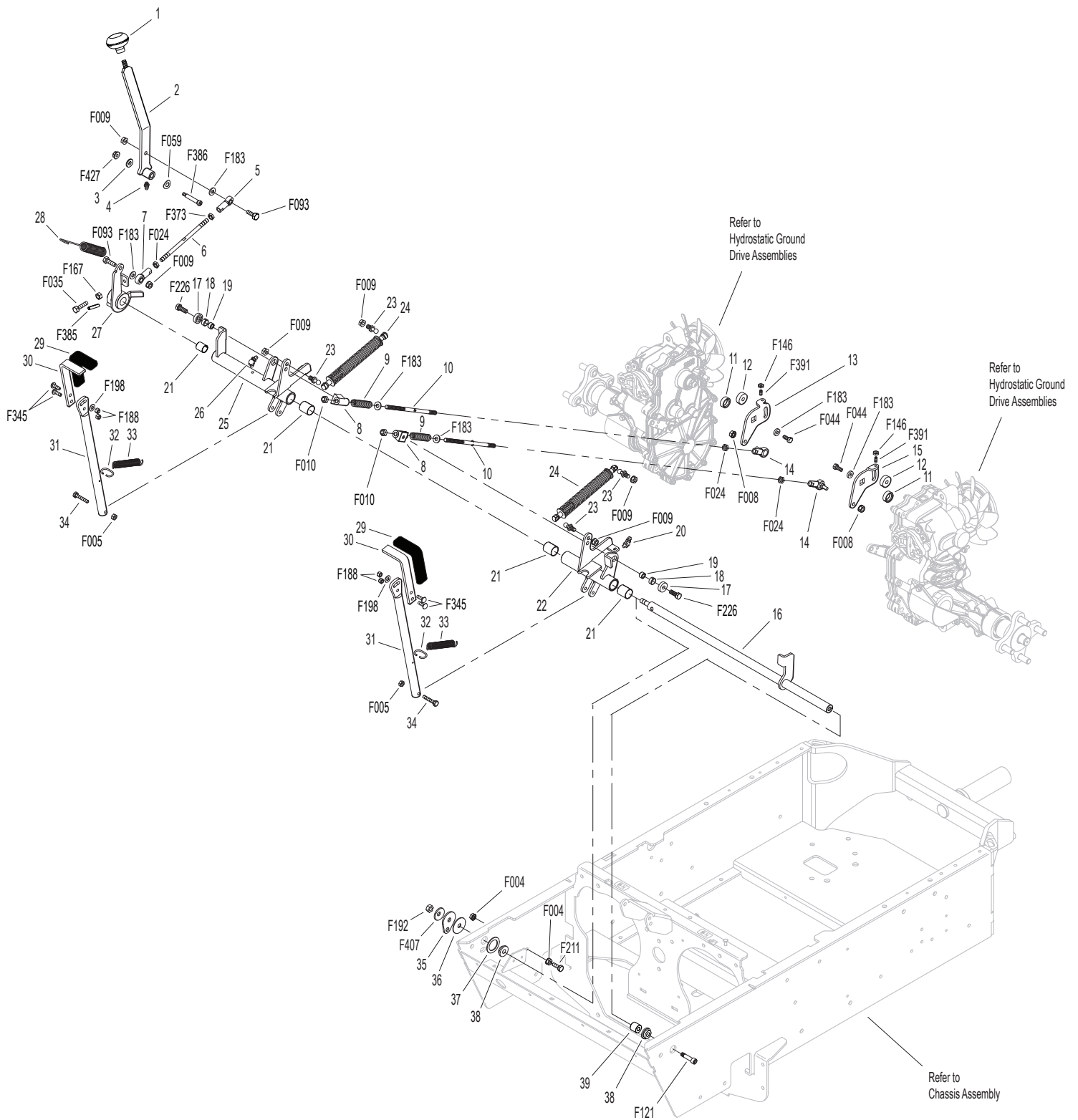


Beginning S/N 150198
Use only genuine Walker® replacement parts.

STEERING CONTROL ASSEMBLIES

ITEM NO.	PART NO.	DESCRIPTION	NO. REQ'D	ITEM NO.	PART NO.	DESCRIPTION	NO. REQ'D
Steering Lever & FSC Assemblies				34	4452-6	Steering Pivot (1/4-20 x 1-5/8)	2
1	5862	FSC Knob	1	35	4142-1	FSC Cam	1
2	4170	FSC Lever Assembly (Includes Item # 4)	*	36	5141	FSC Friction Washer (1-1/2 x 3/8 x 1/16)	1
3	2170-1	Step Washer	1	37	4142-2	FSC Friction Washer (1-1/2 x 1-1/32 x 1/16)	1
4	5830	Grease Fitting	1	38	9704-3	Pivot Rod Bushing, Plastic	2
5	5214-5	Ball Joint (5/16-24/LH) W/O Stud	1	39	2451-4	Steering Shaft Spacer	1
6	4213	Control Rod (6-1/4)	1	Fasteners			
7	5214-4	Ball Joint (5/16-24) W/O Stud	1				
8	5463-4	Steering Lever Actuator	2	F004	1/4-20 Keps Nut		2
9	5665-1	Compression Spring (2-1/2)	2	F005	1/4-20 ESNA Nut		2
10	2213	Control Rod (7")	2	F008	5/16-24 Keps Nut		2
11	2212-3	Seal Retainer	2	F009	5/16-18 Whiz Locknut		6
12	2212	Transmission Control Arm Stop	2	F010	5/16-24 ESNA Nut		2
13	2212-2	Transmission Control Arm, RH	1	F024	5/16-24 Jam Nut		3
14	5214-2	Ball Joint (5/16-24) (Nylon Lined)	2	F035	5/16-18 x 1-1/4 Hex Bolt		1
15	2212-1	Transmission Control Arm, LH	1	F044	5/16-24 x 3/4 Hex Bolt		2
16	2451-1	Steering Pivot Shaft With Stop	1	F059	3/8 Wave Spring Washer		1
17	5463-6	Washer 5/16 x 3/4 x .250	2	F093	5/16-18 x 1 Hex Bolt		2
18	7201-2	Fiberglide Bearing (1/2")	2	F121	5/16-18 x 3/8 x 1 SHL Bolt		1
19	5463-5	Steering Arm Pivot Bushing (SS)	2	F146	1/4-20 Jam Nut		2
20	5830-3	Grease Fitting (45 Degree)	1	F167	5/16-18 Hex Nut		1
21	8201-3	Fiberglide Bearing	4	F183	.312 x .700 x .074 Washer		6
22	2451-7	Speed Control Actuator, LH (Includes Items # 20 & 21)	1	F188	1/4-20 Self-Locking Nut		4
23	5146	10mm Ball Stud	4	F192	3/8-24 Self-Locking Nut		1
24	4199-2	Steering Lever Dampener Assembly	2	F198	.250 x .625 x .040 Washer, SS		2
25	2451-8	Speed Control Actuator, RH (Includes Items # 21 & 26)	1	F211	1/4-20 x 7/8 Hex Bolt		1
26	5830-4	Grease Fitting (90 Deg.)	1	F226	5/16-18 x 7/8 Hex Bolt		2
27	4451-4	FSC Friction Actuator	1	F345	1/4-20 x .770 Knurled Bolt		4
28	4219	Extension Spring (3/4 x 6-1/2)	1	F373	5/16-24 Hex Nut, LH		1
29	5850-2	Handle Grip, Foam (5-1/2)	2	F385	1/4 x 1-1/4 Roll Pin		1
30	5453-20	Steering Lever Handle (+1") Adjustable / SS (Includes Items # 29, F188, F198 & F345)	2	F386	5/16-18 x 1-1/2 x 3/8 Shoulder Bolt		1
31	4452-4	Steering Lever Tube W/Tab	2	F391	1/4-20 x 1/2 Set Screw, SS		2
32	5450	D-Clip	2	F407	Belleville Washer 3/8 x 1.187, SS		1
33	5222	Extension Spring (1/2 x 3-1/4)	2	F427	5/16-18 Flange Nut		1
				*	Service Part Only		

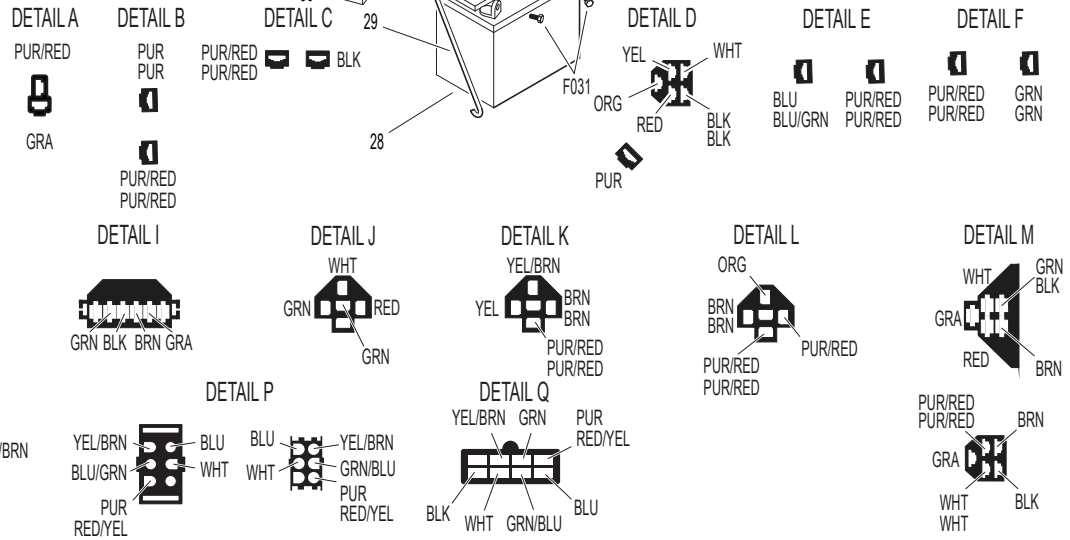
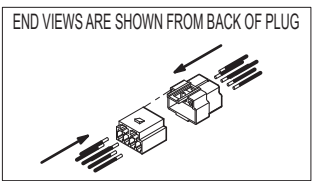
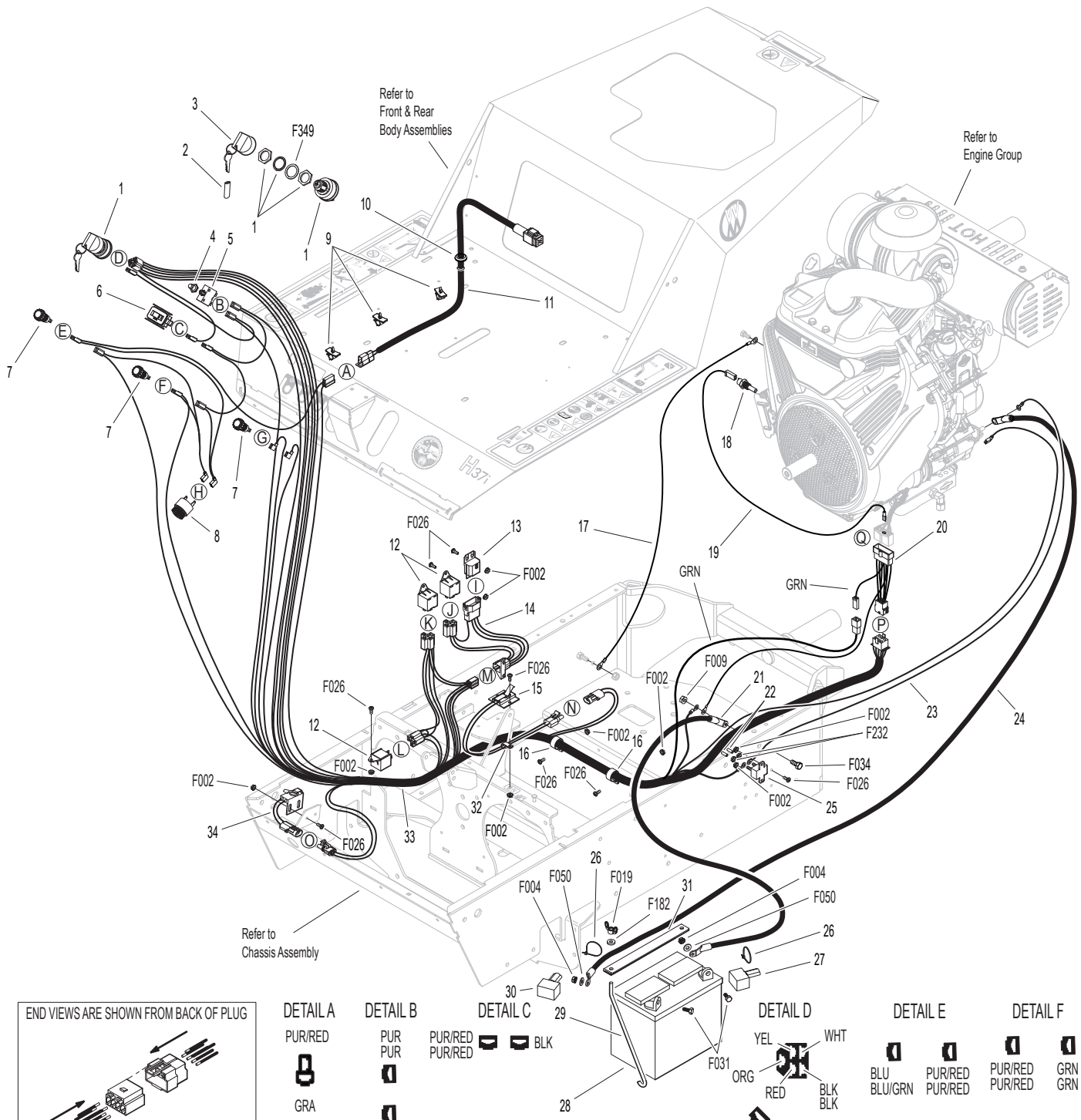
STEERING CONTROL ASSEMBLIES



ELECTRICAL ASSEMBLY

ITEM NO.	PART NO.	DESCRIPTION	NO. REQ'D	ITEM NO.	PART NO.	DESCRIPTION	NO. REQ'D
Electrical Assembly				24	2940-2	Battery Cable (22")	1
1	8960-15	Ignition Switch W/Keys (Includes Items # 2, 3 & F349)	1	25	8941	Circuit Breaker (30 Amp) (Auto Reset/Sealed)	1
2	7854	Plastic Tip, Red	1	26	5975-1	Cable Tie (18# x 3-3/4")	2
3	8960-3	Key Set W/Umbrella	1	27	5932	Battery Terminal Insl., Blk (-)	1
4	7941-3	Boot, Circuit Breaker	1	28	NS	Battery (12V/350CCA/Dry)	1
5	7941-7	Circuit Breaker (20 Amp)	1	29	5839	Hook Bolt	2
6	8990-1	Hourmeter (Global)	1	30	5933	Battery Terminal Insl., Red (+)	1
7	8996-9	Red Indicator Light Assembly	3	31	5844	Battery Hold-Down Bar	1
8	8536-2	Warning Horn Assembly	1	32	5833	Cable Clamp (1/4)	1
9	6105-3	Harness Clip	3	33	2940-13	Wire Harness	1
10	5977-3	Grommet (9/16)	1	34	5942-4	Safety Switch (NO)	1
11	2103-8	Adapter Harness	1	Fasteners			
12	6942	Relay Switch 20/40 Amp (NC)	3	F002	10-24 Keps Nut		13
13	7948-6	Time Delay Module (.5 Second Delay)	1	F004	1/4-20 Keps Nut		2
14	7948-5	Time Delay Harness	1	F009	5/16-18 Whiz Locknut		1
15	5941-2	Safety Switch (NO)	1	F019	1/4-20 ESNA Wing Nut		2
16	7833	Cable Clamp (7/8 x 1/4)	2	F026	10-24 x 1/2 PPHMS		13
17	2940-9	Ground Wire (8")	1	F031	1/4-20 x 5/8 Hex Bolt		2
18	4011-7	Oil Temperature Sensor	1	F034	5/16-18 x 3/4 Hex Bolt		1
19	2940-21	Oil Temperature Sensor Extension Wire	1	F050	1/4 SAE Washer		2
20	2940-20	Wire Adapter	1	F182	1/4 x 5/8 x 1/8 Washer		2
21	2940-3	Battery Cable (14")	1	F232	10-32 Keps Nut		2
22	8404-8	Plastic Cover, Red	2	F349	Washer .835 ID 1.122 OD, SS		1
23	7938	Lead Wire, Battery Charge (Alternator to Starter)	1				

ELECTRICAL ASSEMBLY

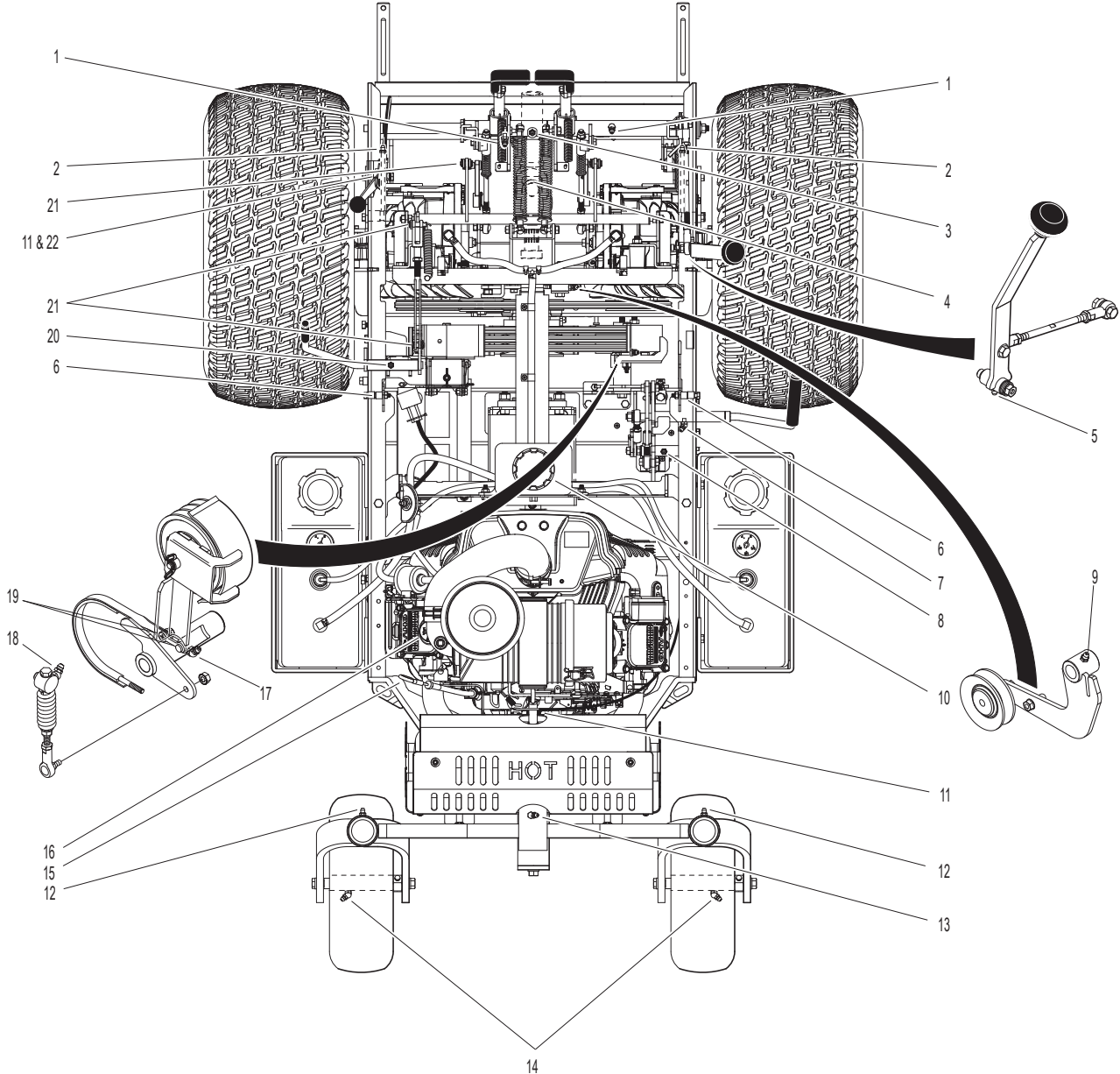


Beginning S/N 150198
Use only genuine **Walker**® replacement parts.

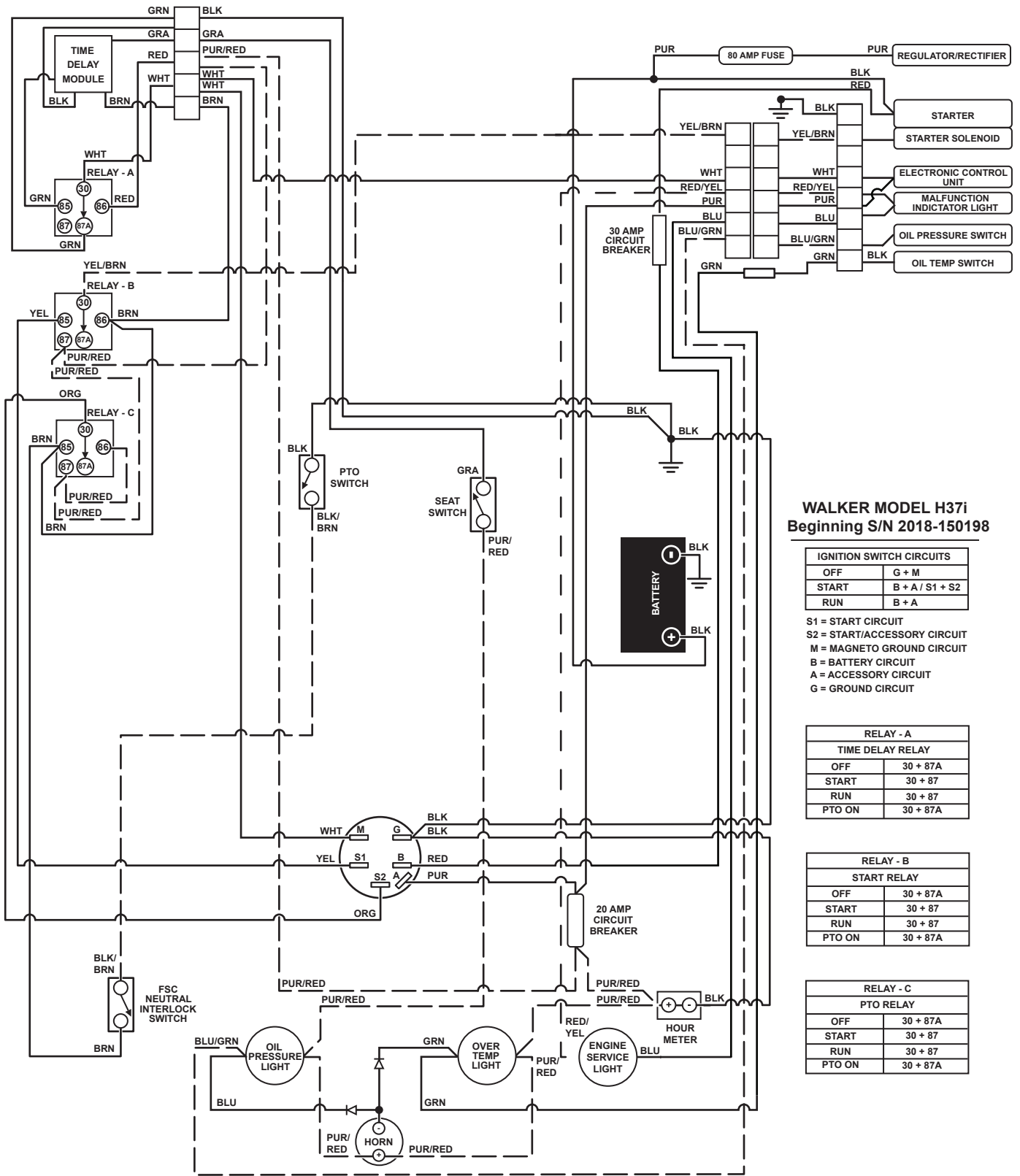
LUBRICATION POINTS

ITEM NO.	LOCATION	LUBRICATION TYPE	NO. PLACES	ITEM NO.	LOCATION	LUBRICATION TYPE	NO. PLACES
Lubrication Points							
1	Steering Lever Pivot	Grease	2	15	Engine Dipstick	Oil**	1
2	Deck Support Arm Pivot	Grease	2	16	Engine / Oil Filler	Oil**	1
3	Deck-to-PTO Coupling (Grease Spline Slide Area)	Grease	1	17	PTO Belt Tightener Pivot	Grease	1
4	Universal Joint Tube Assembly	Grease*	1	18	Clutch Actuator Push Rod	Grease	1
5	FSC Lever Pivot	Grease	1	19	Brake Band Pivot Pins (Clevis)	Oil	2
6	Body Latch Pivot	Oil	2	20	Parking Brake Pivot	Grease	1
7	PTO Clutch Lever Pivot	Grease	1	21	Parking Brake Clevis	Oil	3
8	Clutch Arm Pivot	Grease	1	22	Throttle Control Pivot	Oil	1
9	Hydro Idler Arm Pivot	Grease	1	* Grease every 25 hours.			
10	Transaxle Oil Reservoir	Oil	1	** Refer to H37i Operator's Manual for procedure for checking and changing oil in Engine Crankcase.			
11	Throttle Control Cable Ends	Oil	2	NOTE: See Model H37i Operator's Manual (P/N 2000-24) for proper lubrication intervals.			
12	Tail Wheel Caster Fork Pivot	Grease	2				
13	Rear Wheel Pivot	Grease	1				
14	Rear Wheel Bearing	Grease	2				

LUBRICATION POINTS



WIRING SCHEMATIC



WALKER MODEL H37i Beginning S/N 2018-150198

IGNITION SWITCH CIRCUITS	
OFF	G + M
START	B + A / S1 + S2
RUN	B + A

S1 = START CIRCUIT
 S2 = START/ACCESSORY CIRCUIT
 M = MAGNETO GROUND CIRCUIT
 B = BATTERY CIRCUIT
 A = ACCESSORY CIRCUIT
 G = GROUND CIRCUIT

RELAY - A TIME DELAY RELAY	
OFF	30 + 87A
START	30 + 87
RUN	30 + 87
PTO ON	30 + 87A

RELAY - B START RELAY	
OFF	30 + 87A
START	30 + 87
RUN	30 + 87
PTO ON	30 + 87A

RELAY - C PTO RELAY	
OFF	30 + 87A
START	30 + 87
RUN	30 + 87
PTO ON	30 + 87A

LIMITED WARRANTY FOR WALKER MODEL H37i RIDER MOWER

1. WHAT THIS WARRANTY COVERS, AND FOR HOW LONG:

Walker Manufacturing company will, at its option, repair or replace, without charge, any part covered by this warranty which is found to be defective in material and/or workmanship within one (1) year* after date of sale to the original retail purchaser unless the product is used for rental purposes, in which case this warranty is limited to ninety (90) days. At Walker's request, customer will make the defective part available for inspection by Walker and/or return the defective part to Walker, transportation charges prepaid. All parts and components of the Walker Mower are covered by this warranty **except** the following components which are warranted separately by their respective manufacturers:

Briggs & Stratton Engine
Battery

The available warranties covering these items are furnished with each mower. Walker does not assume any warranty obligation, liability or modification for these items, which are covered exclusively by the stated warranty of the respective manufacturers noted above.

* A three (3) year or 3000 hour (whichever comes first) warranty is offered for Hydro-Gear ZT3400 hydrostatic transmissions; covers full cost of replacement up to 1000 hours of use, and after 1000 hours warranty coverage is prorated against 3000 hours.

2. WHAT THIS WARRANTY DOES NOT COVER:

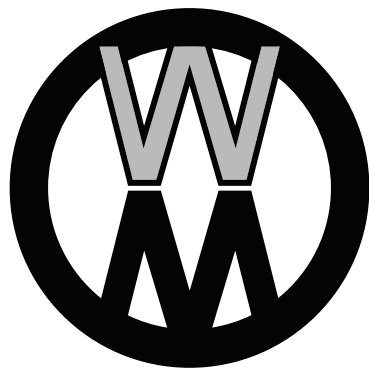
- A. This warranty does not cover defects caused by depreciation or damage caused by normal wear, accidents, improper maintenance, improper use or abuse of the product, alterations, or failure to follow the instructions contained in the Operator's Manual for operation and maintenance.
- B. The customer shall pay any charges for making service calls and/or for transporting the mower to and from the place where the inspection and/or warranty work is performed.

3. HOW TO OBTAIN SERVICE UNDER THIS WARRANTY:

Warranty service can be arranged by contacting the dealer where you purchased the mower or by contacting Walker Manufacturing Company, 5925 East Harmony Road, Ft. Collins, CO 80528. Proof of the date of purchase may be required to verify warranty coverage.

4. WARRANTY LIMITATION:

- A. **THERE IS NO OTHER EXPRESS WARRANTY. ANY WARRANTY THAT MAY BE IMPLIED FROM THIS PURCHASE INCLUDING MERCHANTABILITY AND FITNESS FOR A PARTICULAR PURPOSE IS HEREBY LIMITED TO THE DURATION OF THIS WARRANTY AND TO THE EXTENT PERMITTED BY LAW ANY AND ALL IMPLIED WARRANTIES ARE EXCLUDED.** Some states do not allow limitations on how long an implied warranty lasts, so the above limitations may not apply to you.
- B. **WALKER WILL NOT BE LIABLE FOR ANY INCIDENTAL, CONSEQUENTIAL, OR SPECIAL DAMAGES AND/OR EXPENSES IN CONNECTION WITH THE PURCHASE OR USE OF THE MOWER.** Some states do not allow the exclusion or limitation of incidental or consequential damages, so the above limitation(s) or exclusion(s) may not apply to you.
- C. Only the warranty expressed in this limited warranty shall apply and no dealer, distributor, or individual is authorized to amend, modify, or extend this warranty in any way. Accordingly, additional statements such as dealer advertising or presentations, whether oral or written, do not constitute warranties by Walker, and should not be relied upon.
- D. This warranty gives you specific legal rights, and you may also have other rights which vary from state to state.



WALKER

WALKER MFG. CO. • 5925 E. HARMONY ROAD, FORT COLLINS, CO 80528 • (970) 221-5614
FORM NO. 061118 PRINTED IN USA www.walkermowers.com ©2018 WALKER MFG. CO