

# WALKER

## Illustrated Parts Manual

# T27i



Beginning S/N: 159728  
P/N 8000-37

# KEY TO ABBREVIATIONS USED IN THIS MANUAL

<i>Abbreviation</i>	<i>What it Represents</i>
° (Dimension)	Degrees (Angle)
" (Dimension)	inches
(-)	Negative (Polarity)
(+)	Positive (Polarity)
AT	All-Terrain
CCW	Counter-clockwise
Conn	Connector
CW	Clockwise
D	Diameter
DC	Deck, Collection (number refers to size in inches)
DM	Deck, Mulching (number refers to size in inches)
DR	Deck, Rear Discharge (number refers to size in inches)
DS	Deck, Side Discharge (number refers to size in inches)
DU	Garlock (Bearing)
ESNA (Fastener)	Nylon Insert Locknut
FSC	Forward Speed Control
GA	Gauge
gal	gallon
GHS	Grass Handling System
GR (Fastener)	Grade
HD	Heavy Duty
HP	Horse Power
ID	Identification or Inside Diameter
L	Length
LH	Left Hand (orientated with operator on seat)
LP	Low Profile
mm (Dimension)	millimeters
MS (Fastener)	Machine Screw
NS (as part number)	Item is not sold by Walker Manufacturing
OD	Outside Diameter
oz	ounce
PFH (Fastener)	Phillips Flat Head
P/N	Part Number
PPH (Fastener)	Phillips Pan Head
PTH (Fastener)	Phillips Truss Head
PTO	Power Take-Off
QKS	Quick Slide
qt	quart
RH	Right Hand (orientated with operator on seat)
SAE (Fastener)	Society of Automotive Engineers
SBH (Fastener)	Socket Button Head (Bolt)
SFH (Fastener)	Slotted Flat Head
SHC (Fastener)	Socket Head Cap
SHL (Fastener)	Shoulder (Bolt)
SM (Fastener)	Sheet Metal (Screw)
S/N	Serial Number
Spg	Spring
SQH (Fastener)	Square Head
SS (Fastener)	Stainless Steel
ST (Fastener)	Self-Tapping (Screw)
Term	Terminal
V	Volts

**NOTE:** In some instances, combinations of abbreviations may be used (e.g. PPHMS - Phillips Pan Head Machine Screw).

# ILLUSTRATED PARTS LIST

<i>Section of Tractor Covered</i>	<i>Page</i>	<i>Section of Tractor Covered</i>	<i>Page</i>
<hr/>		<hr/>	
<b>Decals</b>		<b>Electrical Components</b>	
Tractor Decals .....	2	Electrical Assembly .....	34
<b>Body / Chassis Assemblies</b>		Electrical Assemblies (GHS 10.0 Bushel Components).....	36
Body / Chassis Assembly (GHS Models) .....	4	Electrical Connectors.....	38
Rear Body Assembly (GHS Models) .....	6	<b>Maintenance</b>	
Body Assembly (Non-Collection Models).....	8	Lubrication Points .....	40
<b>Tractor Components</b>		Wiring Schematic.....	42
Main Component Power Transmission		Maintenance And Service Record Sheet.....	43
(GHS Models) .....	10	<b>Warranty</b>	
(Non-Collection Models).....	12	Limited Warranty .....	45
Engine Group.....	14		
Engine Group (Fuel Components) .....	16		
Hydrostatic Ground Drive Assemblies.....	18		
Steering Control Assemblies .....	20		
Throttle Control Assembly.....	22		
Parking Brake Assembly .....	24		
GHS Group .....	26		
GHS Powerfil® Assembly .....	28		
GHS 10.0 Bushel Catcher Assembly.....	30		
Instrument Panel Assembly .....	32		

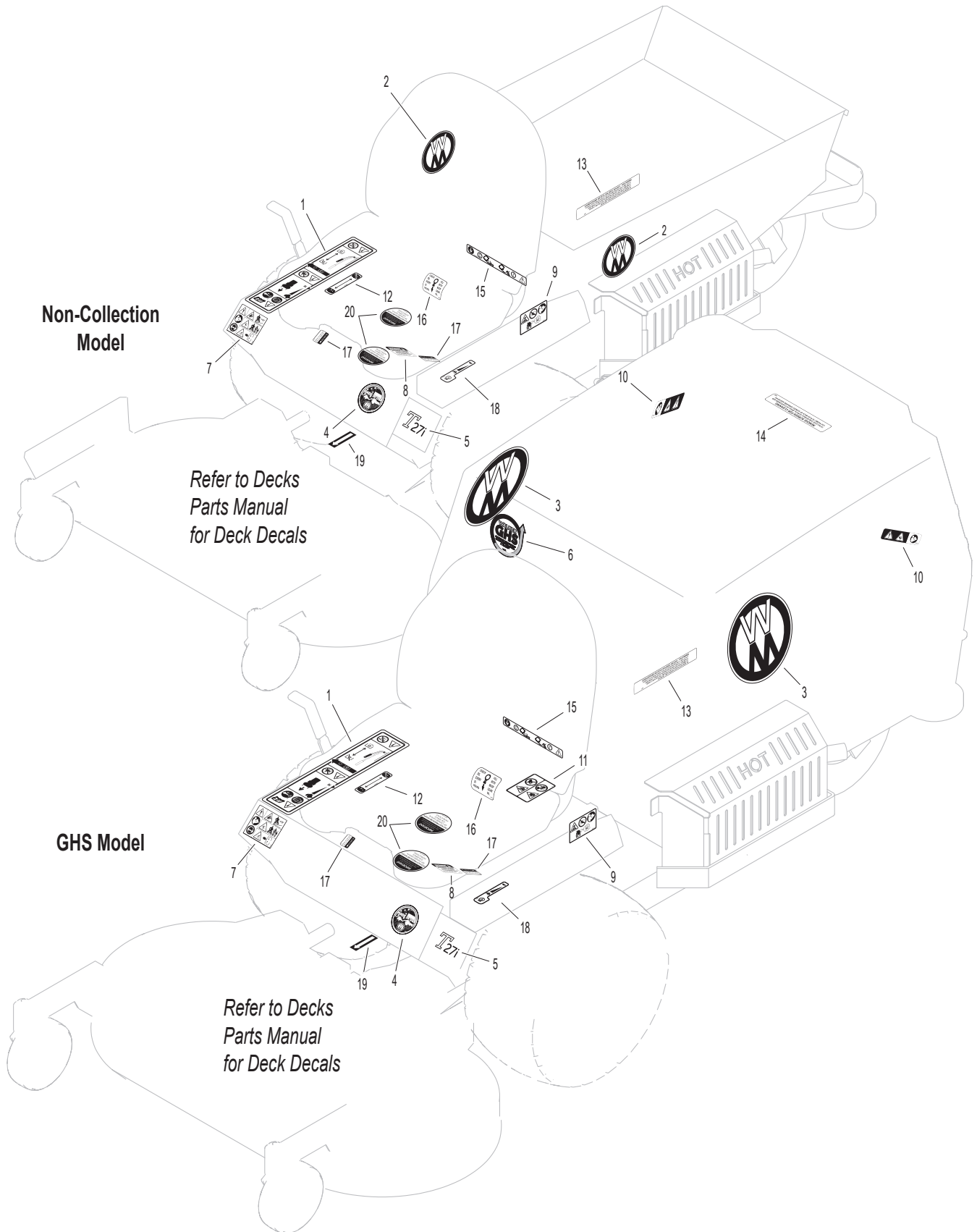
# TRACTOR DECALS

ITEM NO.	PART NO.	DESCRIPTION	LOCATION	NO. REQ'D GHS	NO. REQ'D NON-COLLECTION
<b>Walker Product and Operation Decals</b>					
1	8600-33	RH Fender	Body, RH Side Near Seat	1	1
2	5800	Walker Mower (4" Round)	Utility Bed (one on each side)	0	2
3	5800-11	Walker (8" Round)	10.0 Bushel Catcher (one on each side)	2	0
4	5856-1	Made in USA	Body	1	1
5	8821-30	Decal, T27i	Body	1	1
6	5813-2	Decal, 4" Grass-Pak Powerfil®	Powerfil® Cover Plate	1	0
<b>Danger Decals Warning Decals Caution Decals</b>					
7	8600-34	Warning, Read Manual	Body	1	1
8	5810-3	Decal, Hydro Warning	LH Gear Axle Drive Assembly	1	1
9	8600-12	Danger, Engine Exhaust	Front Body, LH Side	1	1
10	8600-10	Danger, Pinch Point	10.0 Bushel Catcher Mounting Frame Assembly (one on each side)	2	0
11	8600-4	Danger, Rotating Blower Blades	Body, Near Body Chute	1	0
<b>Maintenance Decals</b>					
12	8600-30	Parking Brake	Body, RH Side Below Seat	1	1
13	5855	Important, Engine Cooling	Engine	1	1
14	5869	Removable Screen	10.0 Bushel Catcher Removable Screen	1	0
15	8600-16	Front Body Closure	Rear Cross Member, Body	1	1
16	7827	Oil Level	Jackshaft Support	1	1
17	5810-1	Axle Oil Level	Gear Axle Drive Assemblies (one on each)	2	2
18	8600-31	Throttle	Body, LH Side	1	1
19	6875	PTO Alignment Arrow	Universal Joint Tube Assembly	1	1
20	5810-23	Reservoir	Hydrostatic Drives (one on each)	2	2

**NOTE:** All parts requiring decals are shipped with decals applied.



# TRACTOR DECALS



## BODY / CHASSIS ASSEMBLY (GHS MODELS)

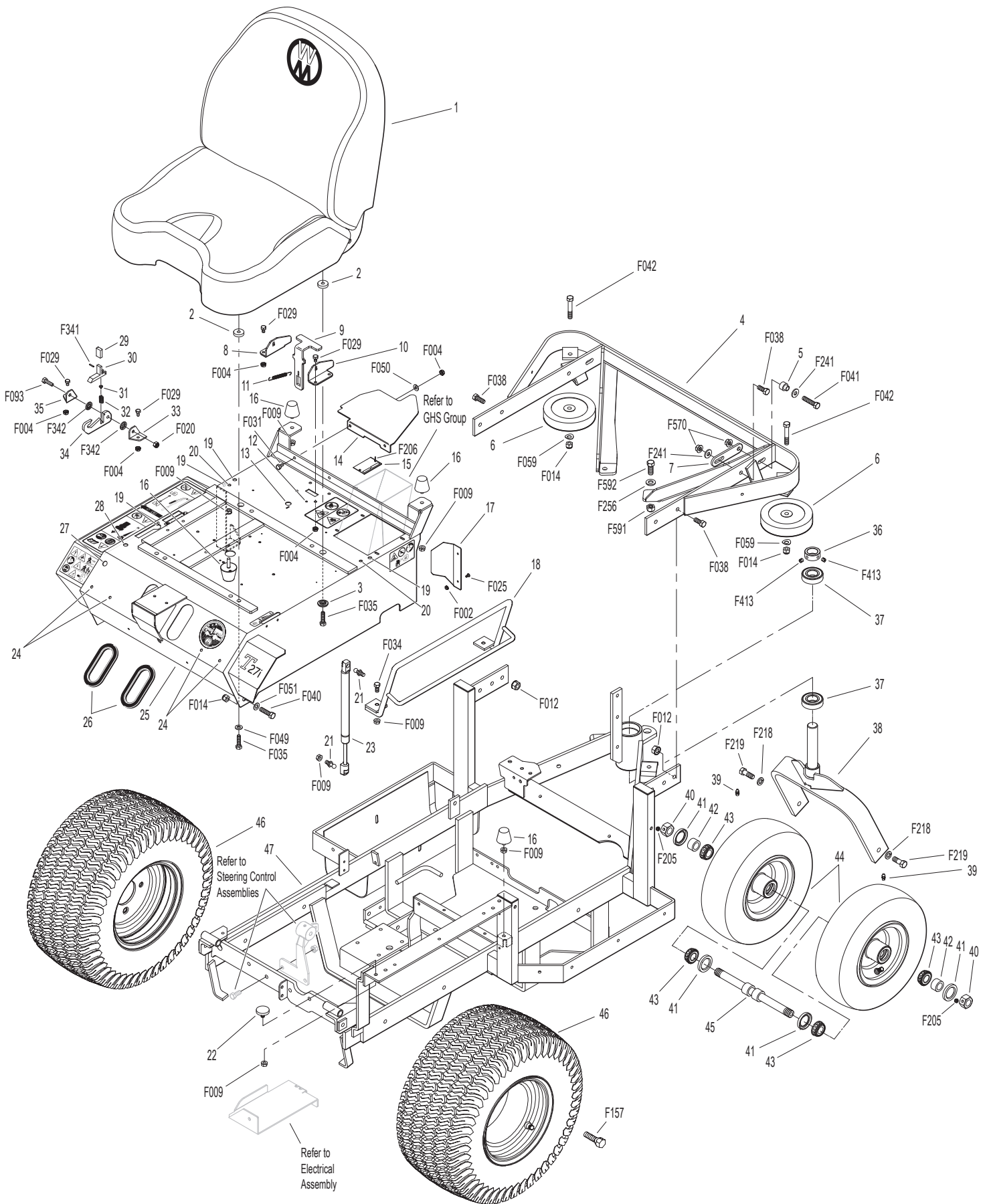
ITEM NO.	PART NO.	DESCRIPTION	NO. REQ'D	ITEM NO.	PART NO.	DESCRIPTION	NO. REQ'D
<b>Seat Assembly</b>				44	8035-1	Tail Wheel & Tire Assembly (13 x 4.5-6) (With Bearing Race)	2
1	6104-31	Comfort Seat	1				
2	2845-3	Aluminum Washer (5/16 x 1 x 1/4)	4	7035-1	Tail Wheel Tire (13 x 5.00-6)		**
3	6105-1	Shoulder Washer	2	8036	Wheel & Hub (6 x 3.25) (Includes Items # 39 & Bearing Race)		**
<b>Rear Bumper Assembly (GHS Models Only)*</b>							
4	7516	GHS Rear Bumper	1	8037-2	Bearing Race		**
5	7516-5	Catcher Pivot Bushing	2	7420-20	Dual Tail Wheel & Tire Assembly (Includes Items # 40-45)		**
6	5162	Roller Wheel (5" Rubber)	2				
7	7517-3	Catcher Pivot Plate	2	45	8038	Tail Wheel Axle (3/4 x 10-3/8)	1
<b>Body Assembly</b>				46	7070-2	Wheel & Tire Assembly (18 x 9.50-8)	2
8	7383-6	Body Latch Bracket, RH	1	7070-1	Drive Tire (18 x 9.50-8)		**
9	7383-5	Body Latch Lever	1	5070-4	Wide Wheel (8 x 7)		**
10	7383-7	Body Latch Bracket, LH	1	47	8300-18	Chassis Frame (EFI / 5.0 gal.)	1
11	7222	Extension Spring (1/4 x 3)	1	<b>Fasteners</b>			
12	5989-12	Dome Plug (3/16)	1	F002	10-24 Keps Nut		2
13	5989-10	Dome Plug (9/16)	1	F004	1/4-20 Keps Nut		8
14	8101-9	Front Body Engine Guard	1	F009	5/16-18 Whiz Locknut		10
15	NS	Body ID Plate	1	F012	3/8-16 Keps Nut		4
16	5845	Rubber Bumper (1.50 OD x 1.25)	4	F014	3/8-16 ESNA Nut		4
17	8118	Heat Deflector	1	F020	5/16-18 ESNA Nut		1
18	7422	Panel Guard	1	F025	10-24 x 3/8 PPHMS		2
19	5989-4	Dome Plug (3/8)	4	F029	1/4-20 x 1/2 Hex Bolt		6
20	5989-3	Dome Plug (5/16)	2	F031	1/4-20 x 5/8 Hex Bolt		2
21	5146	10mm Ball Stud	2	F034	5/16-18 x 3/4 Hex Bolt		2
22	7844	Rubber Bumper (1.25 OD x .250)	1	F035	5/16-18 x 1-1/4 Hex Bolt		4
23	2145	Gas Spring	1	F038	3/8-16 x 1 Hex Bolt		6
24	5989-9	Dome Plug (1/4)	4	F040	3/8-16 x 1-1/2 Hex Bolt		2
25	8100-13	Front Body	1	F041	3/8-16 x 1-3/4 Hex Bolt		2
26	5180	Edge Molding, Lever Opening	2	F042	3/8-16 x 2-1/4 Hex Bolt		2
27	5989-55	Dome Plug (1/2)	1	F049	5/16 SAE Washer		2
28	5989-5	Dome Plug (7/16)	1	F050	1/4 SAE Washer		2
<b>Tilt-Up Latch Assembly***</b>				F051	3/8 SAE Washer		2
29	5847	Plastic Tip	1	F059	3/8 Wave Spring Washer		2
30	5744-20	Spring Arm, Tilt-Up Latch	1	F093	5/16-18 x 1 Hex Bolt		1
31	5744-10	Spring Pivot Bushing	1	F157	1/2-20 x 1-1/4 Wheel Lug Bolt		8
32	5744-15	Compression Spring (3/8 x 5/8)	1	F205	5/16-18 x 1/4 Set Screw, Knurl Point		2
33	5744-13	Mount Angle, LH	1	F206	#2 x 3/16 Drive Pin		2
34	5744-12	Hook, Tilt-Up Latch	1	F218	7/16 Split Lock Washer		2
35	5744-14	Mount Angle, RH	1	F219	7/16-14 x 1-1/4 Hex Bolt		2
<b>Chassis Assembly</b>				F241	.375 x .875 x .10 Washer		4
36	5267-1	Retainer Collar (1") (Includes Item # F413)	1	F256	7/16 SAE Washer		2
37	5270-1	Ball Bearing	2	F341	Coil Roll Pin (7/64 x 9/16)		1
38	7420	Tail Wheel Fork	1	F342	5/16 Conical Washer		2
39	5830-3	Grease Fitting (45 Degree)	2	F413	5/16-24 x 5/16 Set Screw		2
40	8039	Nut, Tail Wheel Axle	2	F570	3/8-16 Flange Top Lock Nut		4
41	8768-2	Seal, Reverse Lip	4	F591	7/16-14 Flange Top Lock Nut		2
42	8038-1	Spacer, Tail Wheel Axle (.750 ID x 1.125 OD)	2	F592	7/16-14 x 1-1/8 Hex Bolt GR 5		2
43	8037	Bearing Cone (3/4 ID)	4				

\* Rear Bumper Assembly for Non-Collection Models is not shown here. Refer to **BODY ASSEMBLY (NON-COLLECTION MODELS)**, Page 8.

\*\* Service Part Only

\*\*\* Complete Tilt-Up Latch Assembly Kit available by ordering kit # 5747.

# BODY / CHASSIS ASSEMBLY (GHS MODELS)



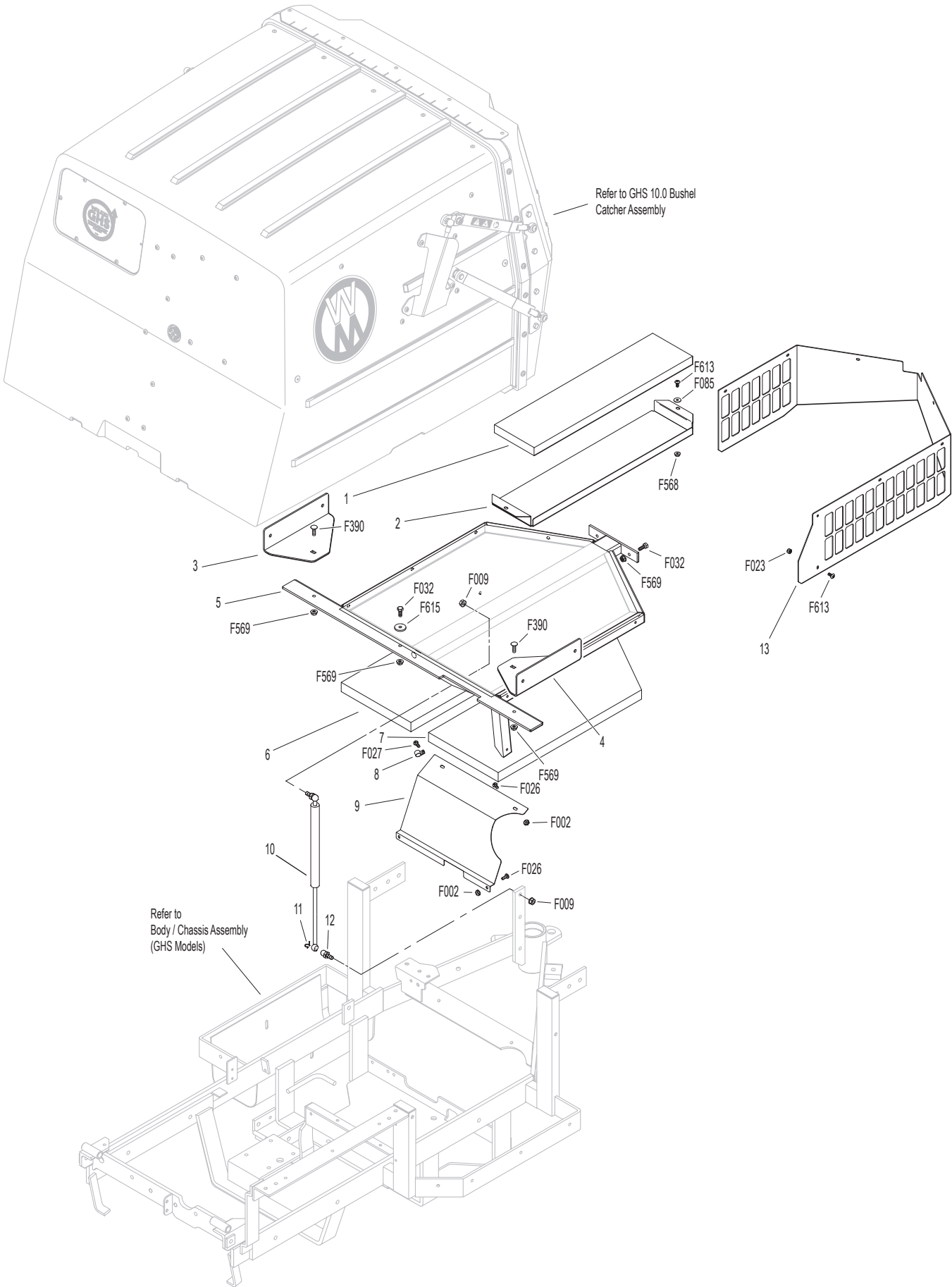
Beginning S/N 159728  
 Use only genuine **Walker®** replacement parts.

## REAR BODY ASSEMBLY (GHS MODELS)

ITEM NO.	PART NO.	DESCRIPTION	NO. REQ'D	ITEM NO.	PART NO.	DESCRIPTION	NO. REQ'D
<b>Rear Body Assembly (GHS Models)</b>				<b>Fasteners</b>			
1	7190-3	Insulation Foam Pad (5 x 20)	1	F002		10-24 Keps Nut	4
2	8082	Heat Shield	1	F009		5/16-18 Whiz Locknut	2
3	8515-14	Catcher Handle Plate, RH	1	F023		10-24 ESNA Nut	8
4	8515-13	Catcher Handle Plate, LH	1	F026		10-24 x 1/2 PPHMS	3
5	8615-3	Catcher Support Frame, 10.0	1	F027		10-24 x 5/8 PPHMS	1
6	7190-2	Insulation Foam Pad, RH	1	F032		1/4-20 x 3/4 Hex Bolt	3
7	7190-1	Insulation Foam Pad, LH	1	F085		3/16 Rivet Backup Washer	2
8	5832	Cable Clamp (1/2)	1	F390		1/4-20 x 7/8 Carriage Bolt	2
9	8389-5	Splash Guard	1	F568		10-24 Flange Top Lock Nut	2
10	7145	Gas Spring Assembly (Includes Items # 11 & 12)	1	F569		1/4-20 Flange Top Lock Nut	5
11	7147	Spring Clip	2	F613		10-24 x 1/2 Truss Head Torx	10
12	7146	13mm Ball Stud	2	F615		1.0 x .255 x .125 Washer	1
13	8105-1	Rear Body Panel	1				

**NOTE:** Rear Bumper Assembly for GHS Models is not shown here. Refer to **BODY / CHASSIS ASSEMBLY (GHS MODELS)**, Page 4.

# REAR BODY ASSEMBLY (GHS MODELS)



Beginning S/N 159728  
 Use only genuine **Walker**® replacement parts.

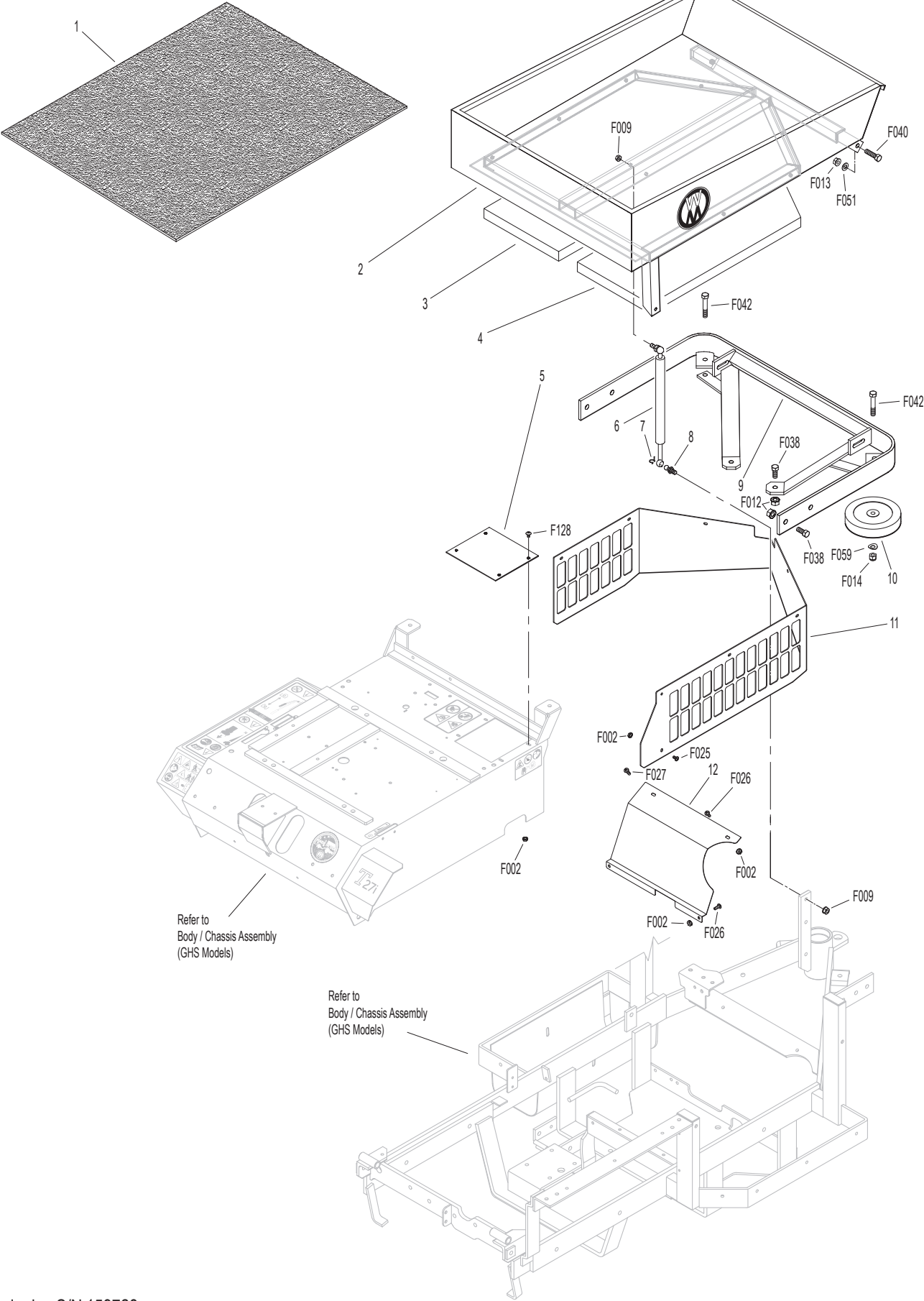
## BODY ASSEMBLY (NON-COLLECTION MODELS)

ITEM NO.	PART NO.	DESCRIPTION	NO. REQ'D	ITEM NO.	PART NO.	DESCRIPTION	NO. REQ'D
<b>Utility Bed Assembly</b>				<b>Fasteners</b>			
1	8650-10	Bed Liner (21.5 x 27.5)	1	F002		10-24 Keps Nut	16
2	8650-2	Utility Bed (Includes Item # 1)	1	F009		5/16-18 Whiz Locknut	2
3	7190-2	Insulation Foam Pad, RH	1	F012		3/8-16 Keps Nut	6
4	7190-1	Insulation Foam Pad, LH	1	F013		3/8-16 Whiz Locknut	2
<b>Rear Bumper Assembly (Non-Collection Models)</b>				F014		3/8-16 ESNA Nut	2
5	7153-3	Cover Plate	1	F025		10-24 x 3/8 PPHMS	8
6	7145	Gas Spring Assembly (Includes Items # 7 & 8)	1	F026		10-24 x 1/2 PPHMS	3
7	7147	Spring Clip	2	F027		10-24 x 5/8 PPHMS	1
8	7146	13mm Ball Stud	2	F038		3/8-16 x 1 Hex Bolt	6
9	7521	Rear Bumper	1	F040		3/8-16 x 1-1/2 Hex Bolt	2
10	5162	Roller Wheel (5" Rubber)	2	F042		3/8-16 x 2-1/4 Hex Bolt	2
11	8105-1	Rear Body Panel	1	F051		3/8 SAE Washer	2
12	8389-5	Splash Guard	1	F059		3/8 Wave Spring Washer	2
				F128		10-24 x 3/8 PTHMS	4

**NOTE:** Refer to **BODY / CHASSIS ASSEMBLY (GHS MODELS)**,  
Page 4 for all common parts used on both models.



# BODY ASSEMBLY (NON-COLLECTION MODELS)



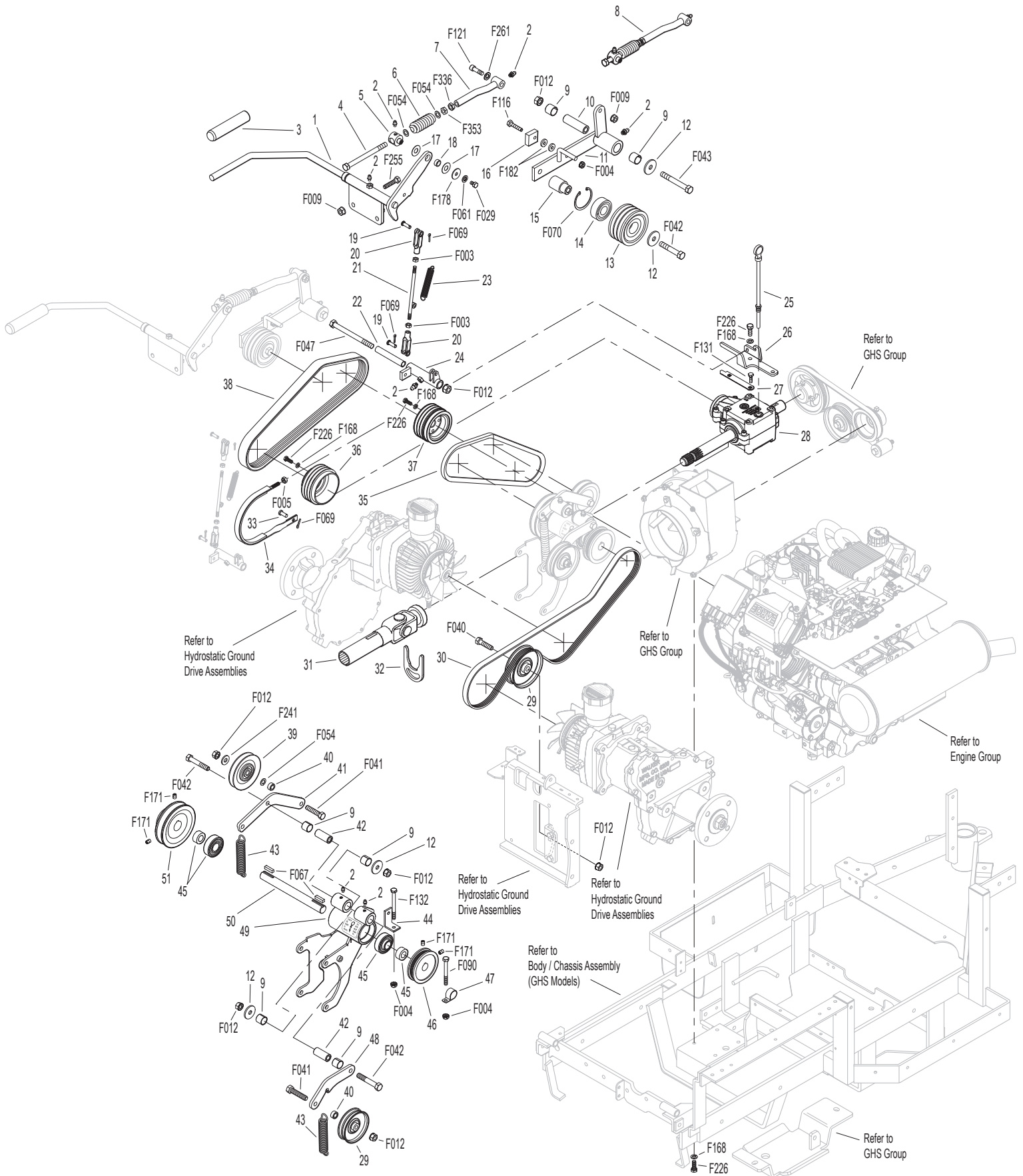
Beginning S/N 159728  
 Use only genuine **Walker**® replacement parts.



# MAIN COMPONENT POWER TRANSMISSION (GHS MODELS)

ITEM NO.	PART NO.	DESCRIPTION	NO. REQ'D	ITEM NO.	PART NO.	DESCRIPTION	NO. REQ'D
<b>Clutch Lever Assembly</b>				41	8349-4	Idler Arm	1
1	8358-3	Clutch Lever (Includes Items # 2 & 3)	1	42	7201-4	Inner Race (1-1/2)	2
2	5830	Grease Fitting	7	43	5221-1	Extension Spring (3/4 x 5)	2
3	4850	Handle Grip, Black	1	44	8539	Starter Relay Mount	1
4	7303-10	Clutch Actuator Bolt (3/8)	1	45	5268	Bearing W/Collar (3/4)	2
5	7380-5	Knuckle Joint (3/8 ID)	1	46	7241-2	Transmission Drive Pulley (3-1/4MV) (Includes Items # F067 & F171)	1
6	7226-10	Compression Spring (3/4 x 2-1/2)	1	47	7833	Cable Clamp (7/8 x 1/4)	1
7	8130-5	Pushrod, Clutch Actuator (Threaded Tube) (Includes Item # 2)	1	48	8349	Transmission Belt Tightener Arm	1
8	8130-10	Clutch Actuator Rod Assembly (Includes Items # 2, 4-7, F054, F336 & F353)	1	49	8393-7 8394-1	Hydro Jackshaft Mount Hydro Jackshaft Mount Assembly (Includes Items # 2, 9, 42, 45, 49 & 50)	1 *
9	7201-3	Fiberglide Bearing	6	50	8273	Jackshaft (3/4 x 7-1/2)	1
10	7201-5	Inner Race (2-1/4)	1	51	7240-4	Jackshaft Drive Pulley (3.3/3V) (Includes Items # F067 & F171)	1
11	8368	PTO Belt Tightener	1	<b>Fasteners</b>			
12	5841	Retainer Washer (3/8 x 1-1/4)	4	F003	1/4-28 Hex Nut	2	
13	8243-1	Clutch Idler Pulley	1	F004	1/4-20 Keps Nut	3	
	8243	Clutch Idler Pulley Assembly (Includes Items # 14, 15 & F070)	*	F005	1/4-20 ESNA Nut	1	
14	5265	Bearing (3/4)	1	F009	5/16-18 Whiz Locknut	3	
15	8243-3	Hub, Idler Pulley	1	F012	3/8-16 Keps Nut	7	
16	8375	PTO Belt Tightener Stop	1	F029	1/4-20 x 1/2 Hex Bolt	1	
17	7377	Plastic Washer (1 x .438 x .025)	2	F040	3/8-16 x 1-1/2 Hex Bolt	1	
18	7378	Pivot Bearing (7/16 x 9/16)	1	F041	3/8-16 x 1-3/4 Hex Bolt	2	
19	5281-5	Clevis Pin (1/4 x 0.80)	2	F042	3/8-16 x 2-1/4 Hex Bolt	3	
20	5280	Clevis (1/4)	2	F043	3/8-16 x 3 Hex Bolt	1	
21	8305	Brake Actuator Rod	1	F047	3/8-16 x 4-1/2 Hex Bolt	1	
22	8370	Bearing, Brake Actuator	1	F054	AN960616 Washer	3	
23	8250	Brake Spring (1/2 x 2-1/2)	1	F061	1/4 Internal Star Lock Washer	1	
24	8369	Brake Actuator (Includes Items # 2 & 22)	1	F067	3/16 x 3/16 x 1 Key	2	
<b>PTO Drive Shaft Assembly</b>				F069	3/32 x 1/2 Cotter Pin	3	
25	7050-1	Dipstick, Gearbox	1	F070	1-3/4 Internal Snap Ring	1	
26	8371-1	Mount Bracket, Brake Band	1	F090	1/4-20 x 2-1/2 Hex Bolt	1	
27	8377	Brake Band Guide	1	F116	1/4-20 x 1-1/4 Hex Bolt	1	
28	8050-11	PTO Gearbox / Flange Pulley	1	F121	5/16-18 x 3/8 x 1 SHL Bolt	1	
29	5245	Idler Pulley (3")	2	F131	5/16-18 x 1/2 Hex Bolt	2	
30	7248	Ground Drive Belt, Micro-V	1	F132	1/4-20 x 2-3/4 Hex Bolt	1	
31	7275-16	Universal Joint Tube Assembly / Spline	1	F168	5/16 Split Lock Washer	14	
32	7275-9	Quick Coupler Installation Tool	1	F171	5/16-18 x 3/8 Set Screw	4	
33	7523-2	Clevis Pin W/Hole (1/4 x 5/8)	1	F178	1/4 x 1 Fender Washer	1	
34	8304	Brake Band (14-1/2)	1	F182	1/4 x 5/8 x 1/8 Washer	2	
35	6250-1	Drive Belt (3VX370)	1	F226	5/16-18 x 7/8 Hex Bolt	14	
36	7236-1	PTO Drive Pulley (4-1/2/3V) (Includes Items # F168 & F226)	1	F241	.375 x .875 x .10 Washer	1	
37	8237-2	Engine Pulley, Bolt On (4/3.8/3V) (Includes Items # F168 & F226)	1	F255	5/16-18 x 1-1/2 Hex Bolt	2	
38	8230	Engine PTO Belt	1	F261	AN960616L Washer	1	
<b>Jackshaft Assembly</b>				F336	3/8-16 Jam Nut	1	
39	7245-1	Idler Pulley (3/8 Groove)	1	F353	3/8-16 ESNA LP Nut	1	
40	6325-2	Spacer Bushing (5/16)	2	* Service Part Only			

# MAIN COMPONENT POWER TRANSMISSION (GHS MODELS)

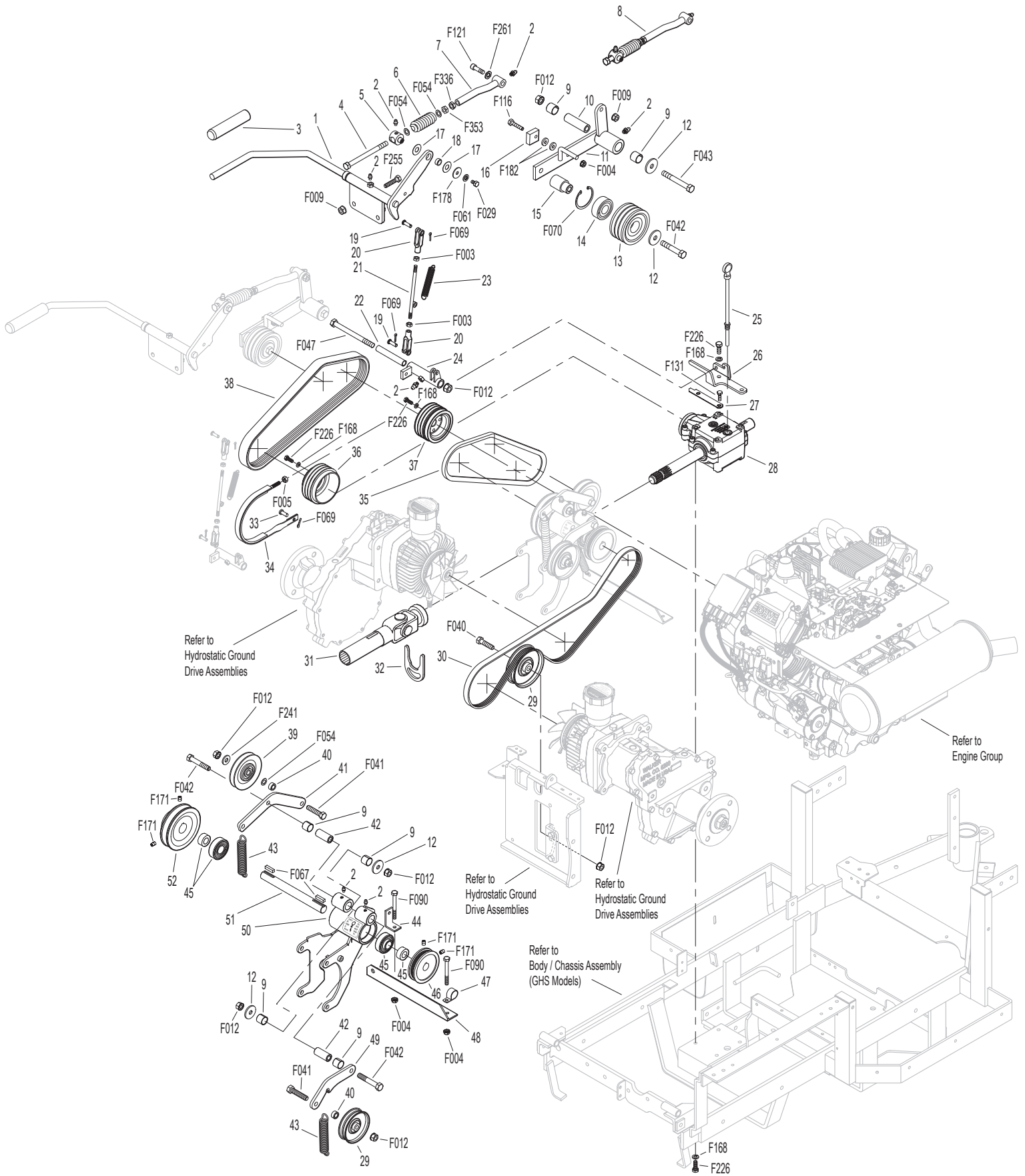


Beginning S/N 159728  
 Use only genuine **Walker**® replacement parts.

# MAIN COMPONENT POWER TRANSMISSION (NON-COLLECTION MODELS)

ITEM NO.	PART NO.	DESCRIPTION	NO. REQ'D	ITEM NO.	PART NO.	DESCRIPTION	NO. REQ'D
<b>Clutch Lever Assembly</b>				42	7201-4	Inner Race (1-1/2)	2
1	8358-3	Clutch Lever (Includes Items # 2 & 3)	1	43	5221-1	Extension Spring (3/4 x 5)	2
2	5830	Grease Fitting	7	44	8539	Starter Relay Mount	1
3	4850	Handle Grip, Black	1	45	5268	Bearing W/Collar (3/4)	2
4	7303-10	Clutch Actuator Bolt (3/8)	1	46	7241-2	Transmission Drive Pulley (3-1/4MV) (Includes Items # F067 & F171)	1
5	7380-5	Knuckle Joint (3/8 ID)	1	47	7833	Cable Clamp (7/8 x 1/4)	1
6	7226-10	Compression Spring (3/4 x 2-1/2)	1	48	7394-6	Idler Pulley Spring Mount	1
7	8130-5	Pushrod, Clutch Actuator (Threaded Tube) (Includes Item # 2)	1	49	8349	Transmission Belt Tightener Arm	1
8	8130-10	Clutch Actuator Rod Assembly (Includes Items # 2, 4-7, F054, F336 & F353)	1	50	8393-7	Hydro Jackshaft Mount	1
9	7201-3	Fiberglide Bearing	6		8394-1	Hydro Jackshaft Mount Assembly (Includes Items # 2, 9, 42, 45, 50 & 51)	*
10	7201-5	Inner Race (2-1/4)	1	51	8273	Jackshaft (3/4 x 7-1/2)	1
11	8368	PTO Belt Tightener	1	52	7240-4	Jackshaft Drive Pulley (3.3/3V) (Includes Items # F067 & F171)	1
12	5841	Retainer Washer (3/8 x 1-1/4)	4	<b>Fasteners</b>			
13	8243-1	Clutch Idler Pulley	1	F003	1/4-28 Hex Nut		2
	8243	Clutch Idler Pulley Assembly (Includes Items # 13-15 & F070)	*	F004	1/4-20 Keps Nut		3
14	5265	Bearing (3/4)	1	F005	1/4-20 ESNA Nut		1
15	8243-3	Hub, Idler Pulley	1	F009	5/16-18 Whiz Locknut		3
16	8375	PTO Belt Tightener Stop	1	F012	3/8-16 Keps Nut		7
17	7377	Plastic Washer (1 x .438 x .025)	2	F029	1/4-20 x 1/2 Hex Bolt		1
18	7378	Pivot Bearing (7/16 x 9/16)	1	F040	3/8-16 x 1-1/2 Hex Bolt		1
19	5281-5	Clevis Pin (1/4 x 0.80)	2	F041	3/8-16 x 1-3/4 Hex Bolt		2
20	5280	Clevis (1/4)	2	F042	3/8-16 x 2-1/4 Hex Bolt		3
21	8305	Brake Actuator Rod	1	F043	3/8-16 x 3 Hex Bolt		1
22	8370	Bearing, Brake Actuator	1	F047	3/8-16 x 4-1/2 Hex Bolt		1
23	8250	Brake Spring (1/2 x 2-1/2)	1	F054	AN960616 Washer		3
24	8369	Brake Actuator (Includes Items # 2 & 22)	1	F061	1/4 Internal Star Lock Washer		1
<b>PTO Drive Shaft Assembly</b>				F067	3/16 x 3/16 x 1 Key		2
25	7050-1	Dipstick, Gearbox	1	F069	3/32 x 1/2 Cotter Pin		3
26	8371-1	Mount Bracket, Brake Band	1	F070	1-3/4 Internal Snap Ring		1
27	8377	Brake Band Guide	1	F090	1/4-20 x 2-1/2 Hex Bolt		2
28	8050-11	PTO Gearbox / Flange Pulley	1	F116	1/4-20 x 1-1/4 Hex Bolt		1
29	5245	Idler Pulley (3")	2	F121	5/16-18 x 3/8 x 1 SHL Bolt		1
30	7248	Ground Drive Belt, Micro-V	1	F131	5/16-18 x 1/2 Hex Bolt		2
31	7275-16	Universal Joint Tube Assembly / Spine	1	F168	5/16 Split Lock Washer		14
32	7275-9	Quick Coupler Installation Tool	1	F171	5/16-18 x 3/8 Set Screw		4
33	7523-2	Clevis Pin W/Hole (1/4 x 5/8)	1	F178	1/4 x 1 Fender Washer		1
34	8304	Brake Band (14-1/2)	1	F182	1/4 x 5/8 x 1/8 Washer		2
35	6250-1	Drive Belt (3VX370)	1	F226	5/16-18 x 7/8 Hex Bolt		14
36	7236-1	PTO Drive Pulley (4-1/2/3V) (Includes Items # F168 & F226)	1	F241	.375 x .875 x .10 Washer		1
37	8237-2	Engine Pulley, Bolt On (4/3.8/3V) (Includes Items # F168 & F226)	1	F255	5/16-18 x 1-1/2 Hex Bolt		2
38	8230	Engine PTO Belt	1	F261	AN960616L Washer		1
<b>Jackshaft Assembly</b>				F336	3/8-16 Jam Nut		1
39	7245-1	Idler Pulley (3/8 Groove)	1	F353	3/8-16 ESNA LP Nut		1
40	6325-2	Spacer Bushing (5/16)	2	* Service Part Only			
41	8349-4	Idler Arm	1				

# MAIN COMPONENT POWER TRANSMISSION (NON-COLLECTION MODELS)



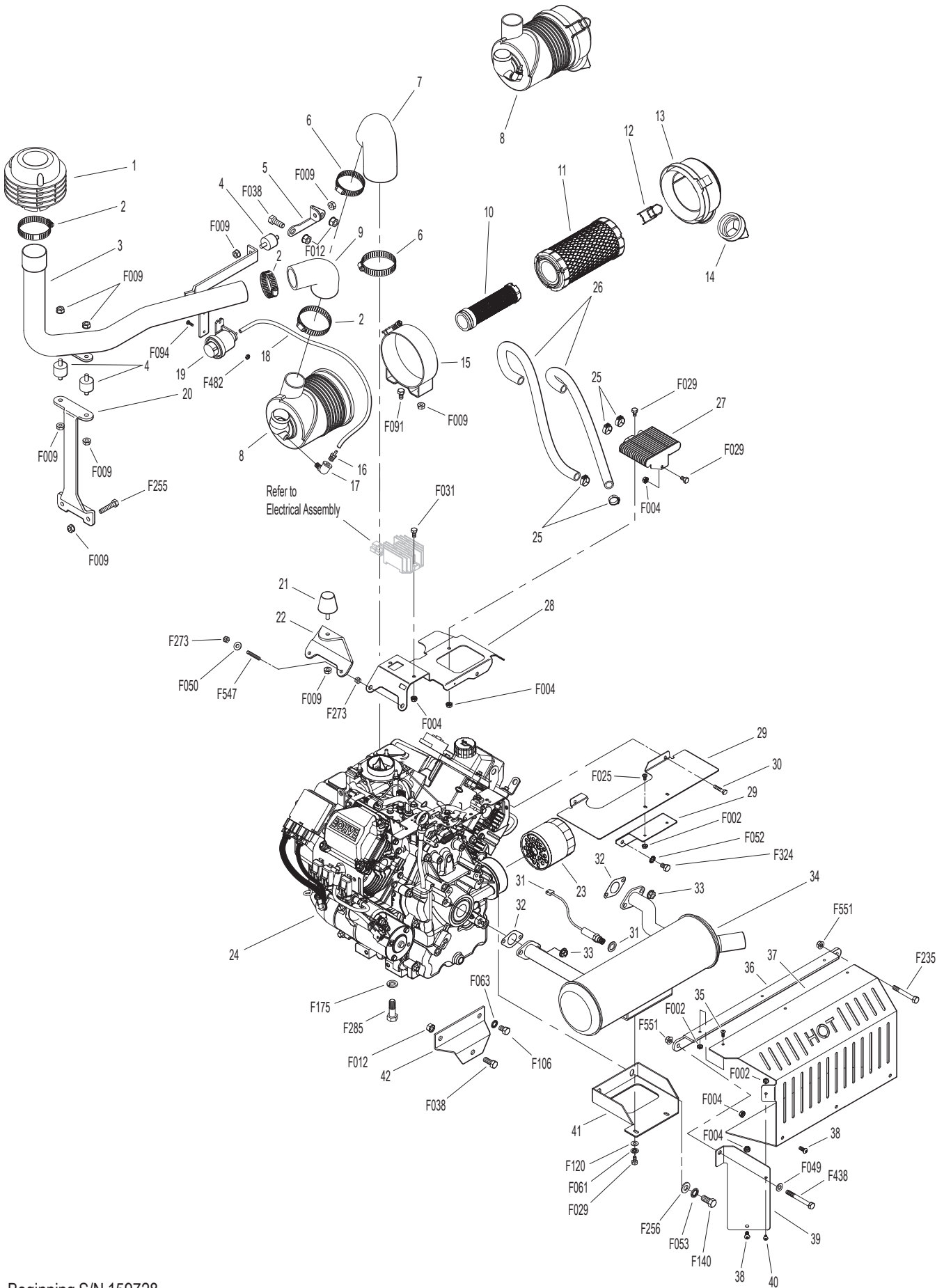
Beginning S/N 159728  
 Use only genuine **Walker**® replacement parts.



# ENGINE GROUP

ITEM NO.	PART NO.	DESCRIPTION	NO. REQ'D	ITEM NO.	PART NO.	DESCRIPTION	NO. REQ'D
<b>Precleaner Assembly</b>				36	8013-44	Upright Support	1
1	7026-3	Remote Precleaner (Includes Item # 2)	1	37	8013-42	Heat Shield, Muffler	1
2	7840-5	Hose Clamp (1-1/2 to 2)	3	38	NS	1/4-20 x 5/8" Button Head Hex Screw	4
3	7028-5	Precleaner Tube (1-3/4)	1	39	8013-43	Muffler Heat Shield Endcap	1
4	7440	Shock Mount (1 x 3/4)	3	40	NS	10-24 x 3/8" Button Head Hex Screw	1
5	7028-20	Rear Precleaner Mount	1	41	8013-18	Muffler Brace	1
6	6029	Hose Clamp (1-3/4 to 2-1/4)	2	42	8021	Engine Brace	1
7	8026-17	Air Intake Hose	1	<b>Fasteners</b>			
8	6090-11	Air Cleaner Assembly (Includes Items # 10-14, 16 & 17)	*	F002	10-24 Keps Nut		6
9	7032	Elbow, Precleaner	1	F004	1/4-20 Keps Nut		8
10	5090-3	Safety Filter Insert	1	F009	5/16-18 Whiz Locknut		11
11	5090-1	Air Cleaner Cartridge	1	F012	3/8-16 Keps Nut		4
12	5088-5	Air Cleaner Draw Latch	2	F025	10-24 x 3/8 PPHMS		2
13	5088-11	Air Cleaner Cap (Includes Item # 12)	1	F029	1/4-20 x 1/2 Hex Bolt		4
14	5090-2	Vacuator Valve	1	F031	1/4-20 x 5/8 Hex Bolt		2
15	5088-3	Air Cleaner Band	1	F038	3/8-16 x 1 Hex Bolt		3
16	5091-0	1/8 Pipe Thread Male W/Barb	1	F049	5/16 SAE Washer		1
17	5091-16	Street Elbow 90° (1/8 x 1/8)	1	F050	1/4 SAE Washer		2
18	M258	Vacuum Hose (7")	1**	F052	5/16 External Star Lock Washer		2
19	5091-6	Air Flow Indicator W/Bracket	1	F053	7/16 Int. Star Lock Washer		2
20	7031-3	Tube Support Arm	1	F061	1/4 Internal Star Lock Washer		2
<b>Engine Assembly</b>				F063	3/8 Internal Star Lock Washer		2
21	5845	Rubber Bumper (1.50 x 1.25)	1	F091	5/16-18 x 5/8 Hex Bolt		2
22	8010-2	Engine Bumper Mount	1	F094	8-32 x 1/2 PTHMS		2
23	NS	Oil Filter (Kohler 1205001)	1	F106	3/8-16 x 5/8 Hex Bolt		2
24	NS	27-hp EFI Engine	1	F120	AN960416 Washer		2
<b>Remote Oil Cooler Assembly</b>				F140	7/16-14 x 1 Hex Bolt		2
25	NS	Clamp (Kohler 25 237 02-S)	4	F175	1/2 Split Lock Washer		4
26	NS	Oil Cooler Hose (Kohler 24326127)	2	F235	5/16-18 x 2-1/2 Hex Bolt		1
27	NS	Oil Cooler (Kohler 24 594 12-S)	1	F255	5/16-18 x 1-1/2 Hex Bolt		2
28	8016-8	Oil Cooler / Regulator Mount	1	F256	7/16 SAE Washer		2
<b>Exhaust Assembly</b>				F273	M6 x 1.0 Nut		4
29	8530-8	Grass Shield, Muffler (Includes Items # F002 & F025)	1	F285	1/2-13 x 1-1/2 Hex Bolt		4
30	NS	Screw (Kohler M645016-S)	2	F324	M8 x 1.25 x 12 Hex Bolt		2
31	NS	Sensor, Oxygen (Kohler)	1	F438	5/16-18 x 2-3/4 Hex Bolt		1
32	NS	Gasket (Kohler)	2	F482	8-32 Nylock Nut		2
33	NS	Nut (Kohler M-0841080)	4	F551	5/16-18 Flange Top Lock Nut		2
34	8013-11	Muffler (EFI)	1	F547	M6 x 1.0 x 45 Stud		2
35	NS	10-24 x 1/2" Button Head Hex Screw	3	* Service Part Only			
				** <b>Required hose specifications:</b> M258 - 7/64" ID automotive vacuum hose			
				<b>NOTE:</b> Refer to Kohler Engine Decal (NS) for Engine Identification Numbers.			

# ENGINE GROUP



Beginning S/N 159728  
Use only genuine **Walker**® replacement parts.

## ENGINE GROUP (FUEL COMPONENTS)

ITEM NO.	PART NO.	DESCRIPTION	NO. REQ'D	ITEM NO.	PART NO.	DESCRIPTION	NO. REQ'D
<b>Fuel Tank Assembly</b>				<b>Fasteners</b>			
1	8055-1	Fuel Tank, 4.7 Gallon, Gas (Black) (Includes Items # 3-7, 26 & 28)	1	F002		10-24 Keps Nut	3
2	5082-4	2-1/4 Ratchet Fuel Cap	*	F004		1/4-20 Keps Nut	3
3	8055-2	Fuel Tank Gauge	1	F009		5/16-18 Whiz Locknut	2
4	8043-8	Roll Over Valve	1	F025		10-24 x 3/8 PPHMS	2
5	5977-7	Roll Over Grommet (.900 x 1-1/2)	1	F029		1/4-20 x 1/2 Hex Bolt	2
6	5083-8	Tank Tube (13")	1	F034		5/16-18 x 3/4 Hex Bolt	2
7	5083-1	Bushing, Rubber	1	F050		1/4 SAE Washer	3
8	5879-3	Hose Clamp (1/2)	6	F061		1/4 Internal Star Lock Washer	2
9	5975-3	Cable Tie (50# x 7")	2	F079		A/A66D Aluminum Pop Rivet	2
10	M113	Fuel Line (3/16 x 28")	1**	F128		10-24 x 3/8 PTHMS	1
11	7833	Cable Clamp (7/8 x 1/4)	2	F129		10-24 x 1/2 PTHMS	1
12	8018-4	Fuel Module Cover	1	F398		1/4-20 x 2 Hex Bolt	3
13	8018-7	Fuel Module Bracket	1				
14	8018-2	Fuel Bracket Spacer	3				
15	M113	Fuel Line (3/16 x 12")	1**				
16	5879-4	Hose Clamp (7/16)	1				
17	8046-16	Quick Connector 5/16 x 5/16 - 45°	1				
18	8046-14	Quick Connector, Male (5/16)	1				
19	M246	Fuel Line (1/4 x 20.5")	1**				
20	5879-5	Stepless Ear Clamp (5/8)	2				
21	M247	Fuel Line (5/16 x 6")	1**				
22	NS	Fuel Line, Engine (Kohler)	1				
23	5020-3	Fuel Filter, EFI (9-12 Micron)	*				
24	M246	Fuel Line (1/4 x 23")	1**				
25	8016-6	ECU Mount	1				
26	5086-7	Hose (1/4 x 6")	1				
27	8023	Fuel Tank Support	1				
28	5020-2	Fuel Filter, In Tank	1				

\* Service Part Only

**\*\* Required hose specifications:**

M113 - 3/16" ID fuel/oil/vapor hose (Gates 4219-0093 or equivalent)

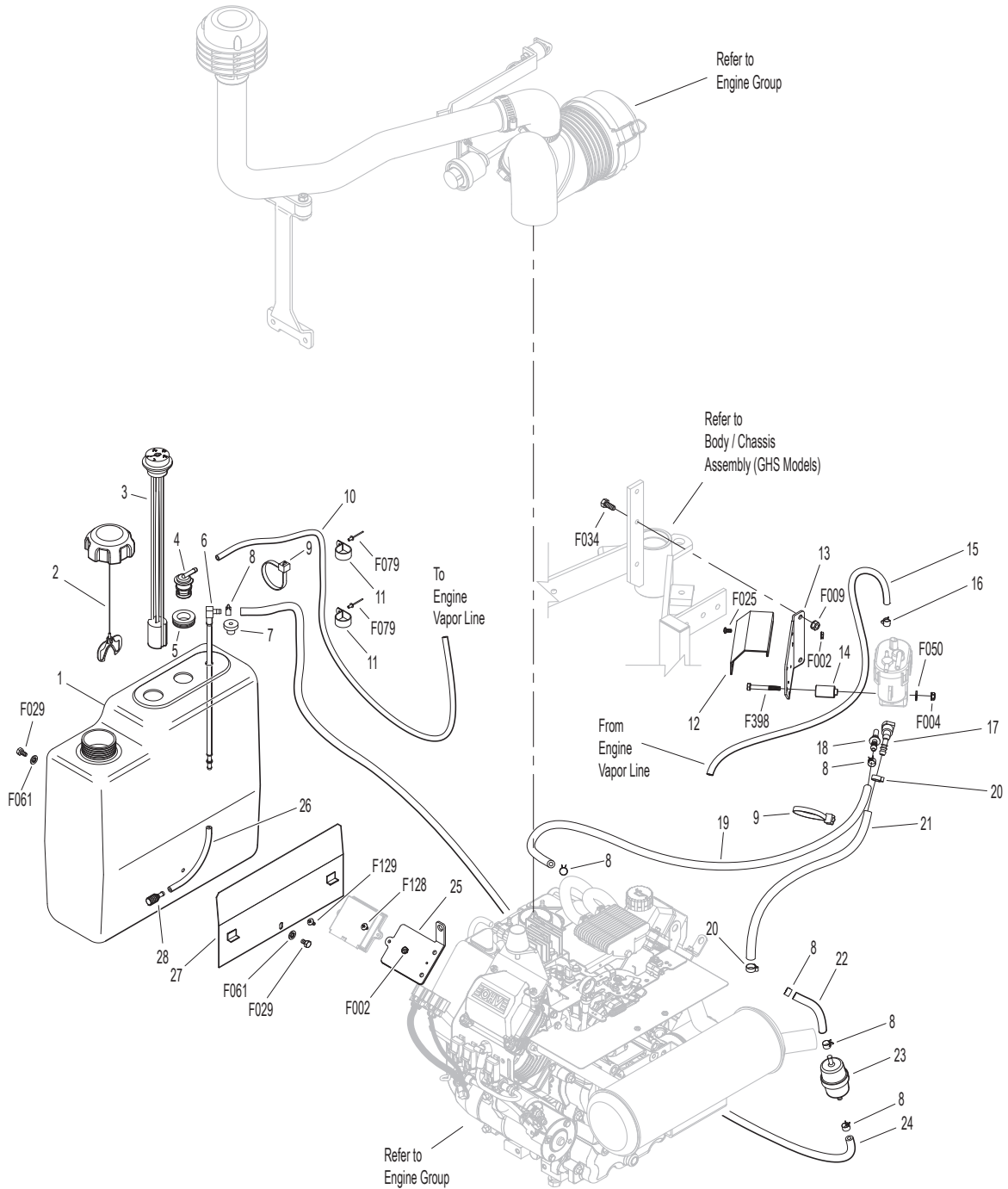
M246 - 1/4" ID low permeation (<15g/m<sup>2</sup>/day) fuel hose (Parker 38904 or equivalent)

M247 - 5/16" ID low permeation (<15g/m<sup>2</sup>/day) fuel hose (Parker 38905 or equivalent)

**NOTE:** Refer to Kohler Engine Decal (NS) for Engine Identification Numbers.



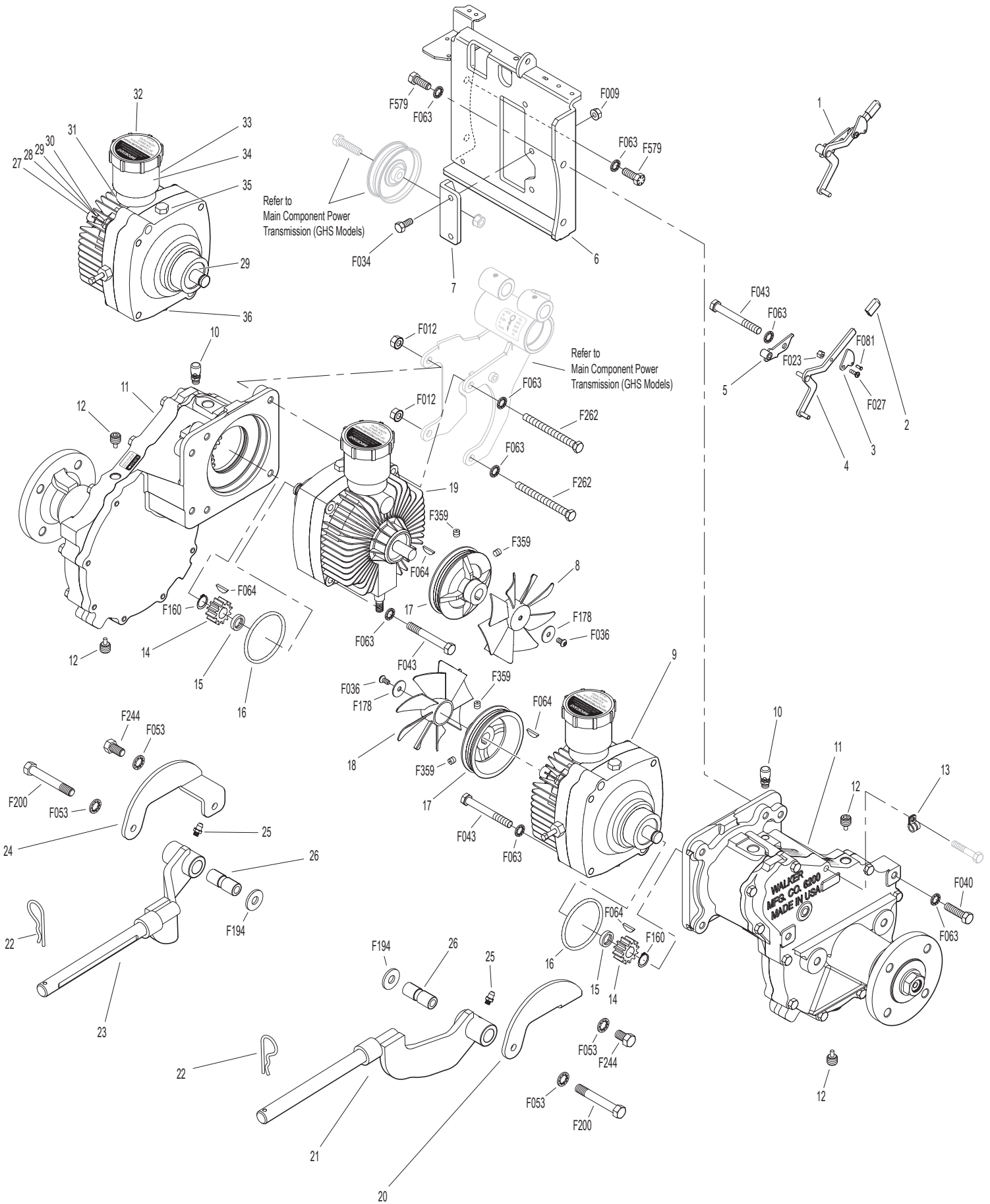
# ENGINE GROUP (FUEL COMPONENTS)



# HYDROSTATIC GROUND DRIVE ASSEMBLIES

ITEM NO.	PART NO.	DESCRIPTION	NO. REQ'D	ITEM NO.	PART NO.	DESCRIPTION	NO. REQ'D
<b>Transmission Lockout Assembly</b>				<b>Transmission Repair Parts</b>			
1	5028-3	Transmission Lockout Assembly (Includes Items # 2-5, F023, F027 & F081)	*	27	5025-13	Hydro Input Shaft	*
2	5847	Plastic Tip	2	28	5025-8	Bearing, Input Shaft	*
3	5057	Lockout Cam (Includes Item # F081)	2	29	5025-7	Snap Ring	*
4	5028-5	Lockout Lever	2	30	NS	Seal, Input Shaft	*
5	5027-5	Lockout Mount	1**	31	5022	Reservoir to Casting Gasket	*
<b>Ground Drive Assemblies</b>				32	5024	Reservoir Cap and Gasket	*
6	6209-5	Bridge Assembly	1	33	5023	Transmission Reservoir Kit	*
7	6209-10	Idler Pulley Mount	1	34	5023-1	Rubber Bladder	*
8	6243-2	Hydro Fan, CCW	1	35	5025-6	O-Ring & Plug Assembly	*
9	5026	Hydrostatic Drive, CW	1	36	5025-3	Seal, Control Shaft	*
10	6206-1	Air Vent Valve	*	<b>Fasteners</b>			
11	6200-9	Gear Axle Drive Assembly (Includes Items # 10 & 12)	2	F009	5/16-18 Whiz Locknut		2
12	6207-12	Pipe Plug (1/4 NPTF)	*	F012	3/8-16 Keps Nut		2
13	5126	Cable Retainer (Uses existing bolt on Gear Axle Drive Assembly)	1	F023	10-24 ESNA Nut		2
14	6233-1	Pinion Gear	2	F027	10-24 x 5/8 PPHMS		2
15	6234	Spacer, Pinion Gear	2	F034	5/16-18 x 3/4 Hex Bolt		2
16	6201	O-Ring Seal	2	F036	1/4-20 x 1/2 SBH Screw		2
17	7244	Hydro Pulley (3-7/8/MV) (Includes Items # F064 & F359)	2	F040	3/8-16 x 1-1/2 Hex Bolt		4
18	6243-1	Hydro Fan, CW	1	F043	3/8-16 x 3 Hex Bolt		6
19	5025	Hydrostatic Drive, CCW	1	F053	7/16 Internal Star Lock Washer		4
<b>Deck Support Arm Assemblies</b>				F063	3/8 Internal Star Lock Washer		16
20	6430-10	Outboard Mount, LH	1	F064	1/8 x 1/2 Woodruff Key (#3)		4
21	6431-1	Deck Support Arm, LH (Includes Item # 25)	1	F081	A/A45D Aluminum Pop Rivet		2
22	5775-2	Hitch Pin (# 6)	2	F160	External Snap Ring (.669 Shaft)		2
23	6431-2	Deck Support Arm, RH (Includes Item # 25)	1	F178	1/4 x 1 Fender Washer		2
24	6430-9	Outboard Mount, RH	1	F194	7/16 x 1-1/4 x 1/8 Washer		2
25	5830	Grease Fitting	2	F200	7/16-20 x 3 Grade 8 Bolt		2
26	6840-1	Support Arm Bushing (2-1/16)	2	F244	7/16-20 x 3/4 Hex Bolt		2
				F262	3/8-16 x 4 Hex Bolt All Thread		2
				F359	5/16-18 x 5/16 Set Screw (Unbrako Knurl Point)		4
				F579	3/8-16 x 1 Hex Bolt Grade 8		4
				* Service Part Only			
				** Part not used on Jackshaft side of tractor.			

# HYDROSTATIC GROUND DRIVE ASSEMBLIES



Beginning S/N 159728  
 Use only genuine Walker® replacement parts.

# STEERING CONTROL ASSEMBLIES

ITEM NO.	PART NO.	DESCRIPTION	NO. REQ'D	ITEM NO.	PART NO.	DESCRIPTION	NO. REQ'D
<b>Transmission Spring Assemblies</b>				<b>Steering Lever Assemblies</b>			
1	6201-2	Shock Mount Gear Drive, RH	1	32	5223	Extension Spring (1/4 x 5-1/2)	2
2	5146	10mm Ball Stud	4	33	5450	D-Clip	2
3	5199-3	Steering Lever Dampener Assembly	2	34	5451-11	Steering Lever Assembly, LH / Adjustable (Includes Items # 9-11, 16, F034 & F582)	1
4	6201-1	Shock Mount Gear Drive, LH	1	35	5391-3	Steering Lever Support	1
5	5214-2	Ball Joint (5/16-24) Nylon Lined	2	36	5217	Pivot Pin, Steering Lever	1
6	6212-6	Transmission Control Arm, LH	1	37	5453-10	Steering Lever Handle, Adjustable (Includes Items # 14 & F345)	2
7	5213-3	Control Rod (6")	1	38	5450-11	Steering Lever Assembly, RH / Adjustable (Includes Items # 9-11, 16, F034 & F582)	1
8	5665-1	Compression Spring (2-1/2)	2	<b>Fasteners</b>			
9	7201-2	Fiberglide Bearing 1/2"	2	F004	1/4-20 Keps Nut		4
10	5463-5	Steering Arm Pivot Bushing (SS)	2	F007	5/16-18 Jam Nut		2
11	5463-4	Steering Lever Actuator	2	F008	5/16-24 Keps Nut		2
12	5213-4	Control Rod (14-3/4")	1	F009	5/16-18 Whiz Locknut		7
13	5212-6	Transmission Control Arm, RH	1	F010	5/16-24 ESNA Nut		2
<b>Forward Speed Control Assemblies</b>				F012	3/8-16 Keps Nut		2
14	5850-2	Handle Grip, Foam (5-1/2)	3	F024	5/16-24 Jam Nut		4
15	7170-2	FSC Lever Assembly (Includes Item # 16)	1	F029	1/4-20 x 1/2 Hex Bolt		2
16	5830	Grease Fitting	6	F032	1/4-20 x 3/4 Hex Bolt		2
17	5975-3	Cable Tie (50# x 7")	1	F034	5/16-18 x 3/4 Hex Bolt		4
18	5214-4	Ball Joint (5/16-24) W/O Stud	2	F038	3/8-16 x 1 Hex Bolt		2
19	5219	Extension Spring (3/4 x 6-3/4)	1	F050	1/4 SAE Washer		1
20	5172	Bearing, Delrin (.250 x .375 x .250)	2	F051	3/8 SAE Washer		2
21	5141-1	FSC Actuator Block	1	F064	1/8 x 1/2 Woodruff Key (#3)		2
22	5140-9	FSC Brace	1	F068	1/8 x 1 Cotter Pin		1
23	5141	FSC Friction Washer (1-1/2 x 3/8 x 1/16)	2	F069	3/32 x 1/2 Cotter Pin		1
24	5142-8	FSC Key	1	F093	5/16-18 x 1 Hex Bolt		1
	5140-12	FSC Control Assembly (Includes Items # 16, 23-25, 28, F182, F192 & F193)	*	F146	1/4-20 Jam Nut		1
25	5140-30	FSC Friction Body (Includes Item # 16)	1	F182	1/4 x 5/8 x 1/8 Washer		1
26	5141-2	FSC Actuator Rod	1	F183	.312 x .700 x .074 Washer		3
27	5281-5	Clevis Pin (1/4 x 0.80)	1	F186	5/64 x 1/2 Cotter Pin		1
28	5142-9	FSC Actuator Cam	1	F188	1/4-20 Self-Locking Nut		4
29	5141-3	Spacer	1	F192	3/8-24 Self-Locking Nut		1
30	5141-4	FSC Rod	1	F193	3/8 Belleville Spring Washer		3
31	5470-2	Speed Control Stop	1	F198	.250 x .625 x .040 Washer, SS		2
				F226	5/16-18 x 7/8 Hex Bolt		1
				F316	5/16-18 x 1-3/4 Hex Bolt		1
				F345	1/4-20 x .770 Knurled Bolt		4
				F350	1/4-20 LP Nylock		1
				F353	3/8-16 ESNA LP Nut		2
				F401	.504 x .751 x .030 Washer		1
				F562	5/16-18 x 1 Set Screw		1
				F582	Washer 5/16 x 7/8 x .125		2

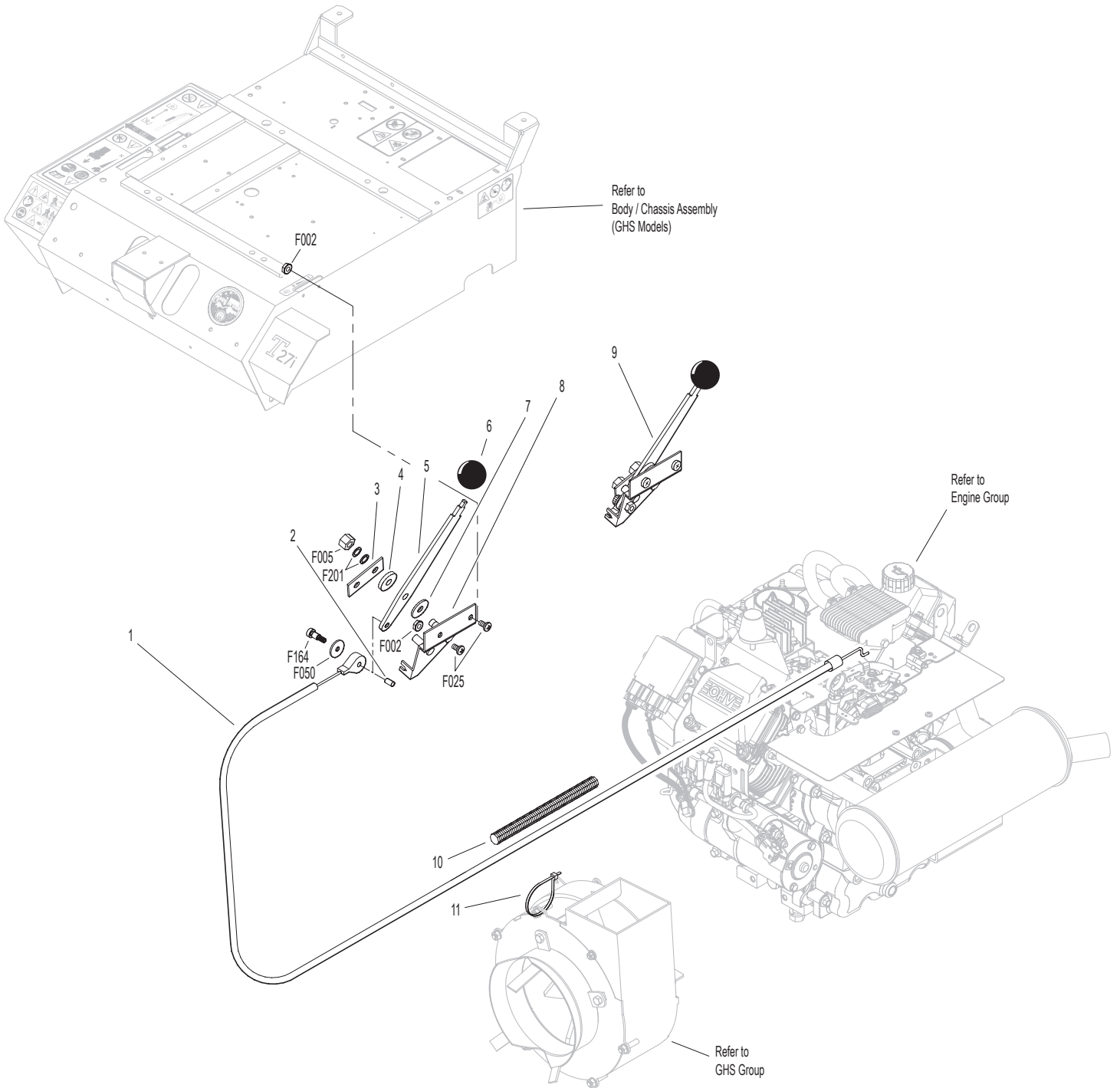
\* Service Part Only



# THROTTLE CONTROL ASSEMBLY

ITEM NO.	PART NO.	DESCRIPTION	NO. REQ'D	ITEM NO.	PART NO.	DESCRIPTION	NO. REQ'D
<b>Throttle Control Assembly</b>				<b>Fasteners</b>			
1	8121-1	Throttle Cable	1		F002	10-24 Keps Nut	2
2	5172	Bearing, Delrin (.250 x .375 x .250)	1		F005	1/4-20 ESNA Nut	1
3	5108-7	Control Lock Tab	1		F025	10-24 x 3/8 PPHMS	2
4	5108-10	Friction Washer (.125)	1		F050	1/4 SAE Washer	1
5	5108-1	Control Lever, Throttle & Choke	1		F164	10-24 x 1/4 x 3/8 SHL Bolt	1
6	5108-5	Throttle Control Knob, Red	1		F201	1/4 Belleville Spring Washer	2
7	5108-11	Friction Washer (.062)	1				
8	5108-8	Control Bracket	1	*		Service Part Only	
9	7108	Control Assembly (Includes Items # 3-5, 7, 8 & F201)	1				
	8121	Throttle Control and Cable Assembly (Includes Item # 6)	*				
10	8123	Insulating Sleeve (3/8 x 6)	1				
11	5975-1	Cable Tie (18# x 3-3/4")	1				

# THROTTLE CONTROL ASSEMBLY

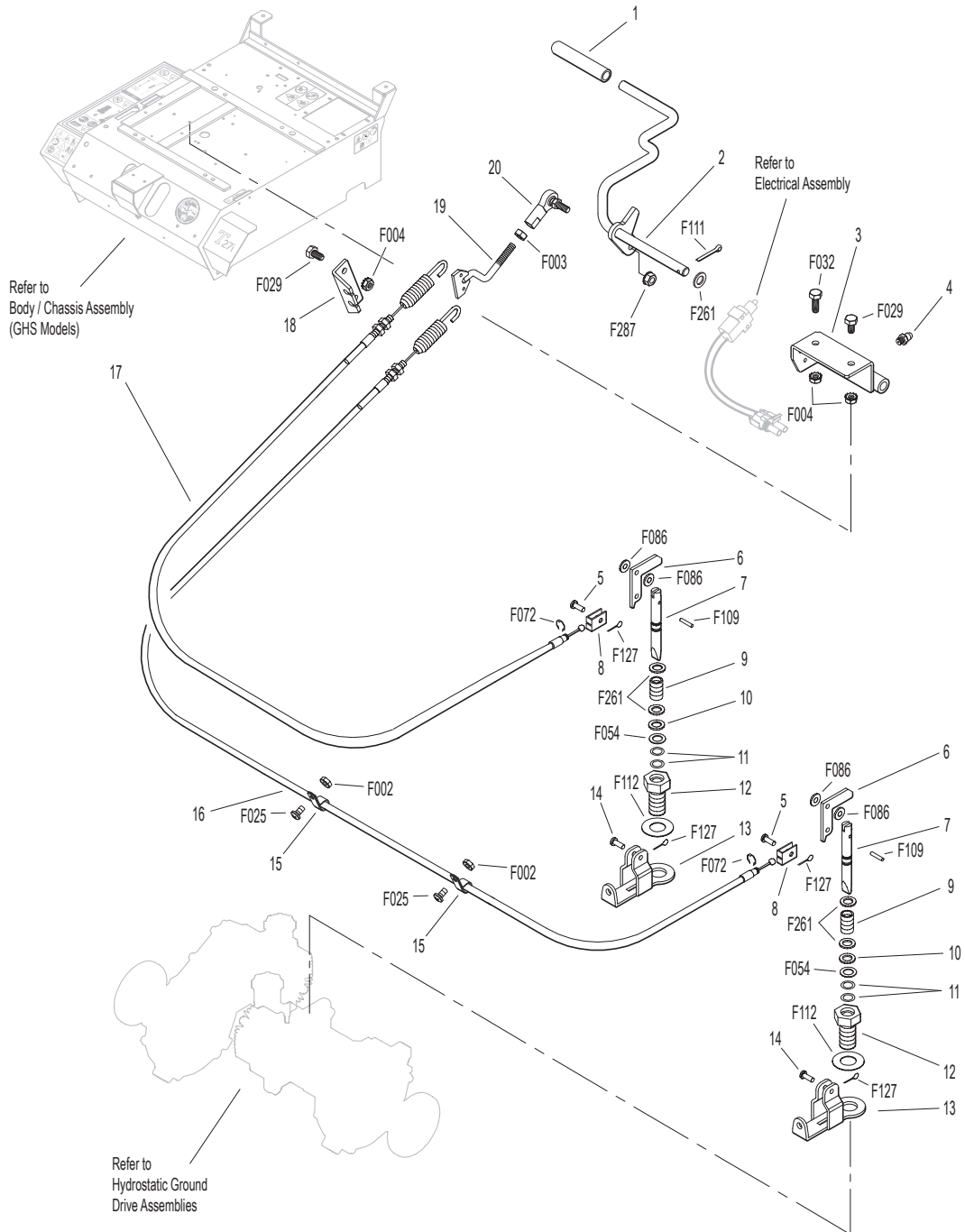




# PARKING BRAKE ASSEMBLY

ITEM NO.	PART NO.	DESCRIPTION	NO. REQ'D	ITEM NO.	PART NO.	DESCRIPTION	NO. REQ'D
<b>Parking Brake Assembly</b>				<b>Fasteners</b>			
1	7406-1	Handle Grip, Red	1	F002		10-24 Keps Nut	2
2	7406-9	Parking Brake Lever	1	F003		1/4-28 Hex Nut	1
3	7406-10	Lever Mount	1	F004		1/4-20 Keps Nut	4
4	5830	Grease Fitting	1	F025		10-24 x 3/8 PPHMS	2
5	7407	Clevis Pin (3/16 x 1/2)	2	F029		1/4-20 x 1/2 Hex Bolt	3
6	7404-6	Brake Actuator Arm	2	F032		1/4-20 x 3/4 Hex Bolt	1
7	7405	Pin, Transmission Lock	2	F054		AN960616 Washer	2
8	7402	Clevis	2	F072		1/4 "E" Retainer Ring	2
9	7408	Compression Spring (1/2 x 3/4)	2	F086		#10 SAE Washer	4
10	7415	Rubber Dust Shield (5/8 x 3/8 x 1/32)	2	F109		1/8 x 5/8 Roll Pin	2
11	5567-3	O-Ring Seal (1/4 x 3/8)	4	F111		1/8 x 3/4 Cotter Pin	1
12	7403	Plunger Bushing, Gear Axle	2	F112		5/8 x 1-1/4 x .03 Washer	2
13	7404-7	Brake Actuator Mount	2	F127		1/16 x 1/2 Cotter Pin	4
14	7412	Clevis Pin (3/16 x 5/8)	2	F261		AN960616L Washer	5
15	5833	Cable Clamp (1/4)	2	F287		1/4-28 Keps Nut	1
16	7410	Brake Control Cable, LH (25.5")	1				
17	7409	Brake Control Cable, RH (20.5")	1				
18	7401-3	Cable Mount Bracket	1				
19	7401-1	Cable Pull Rod	1				
20	5552	Ball Joint (1/4-28)	1				

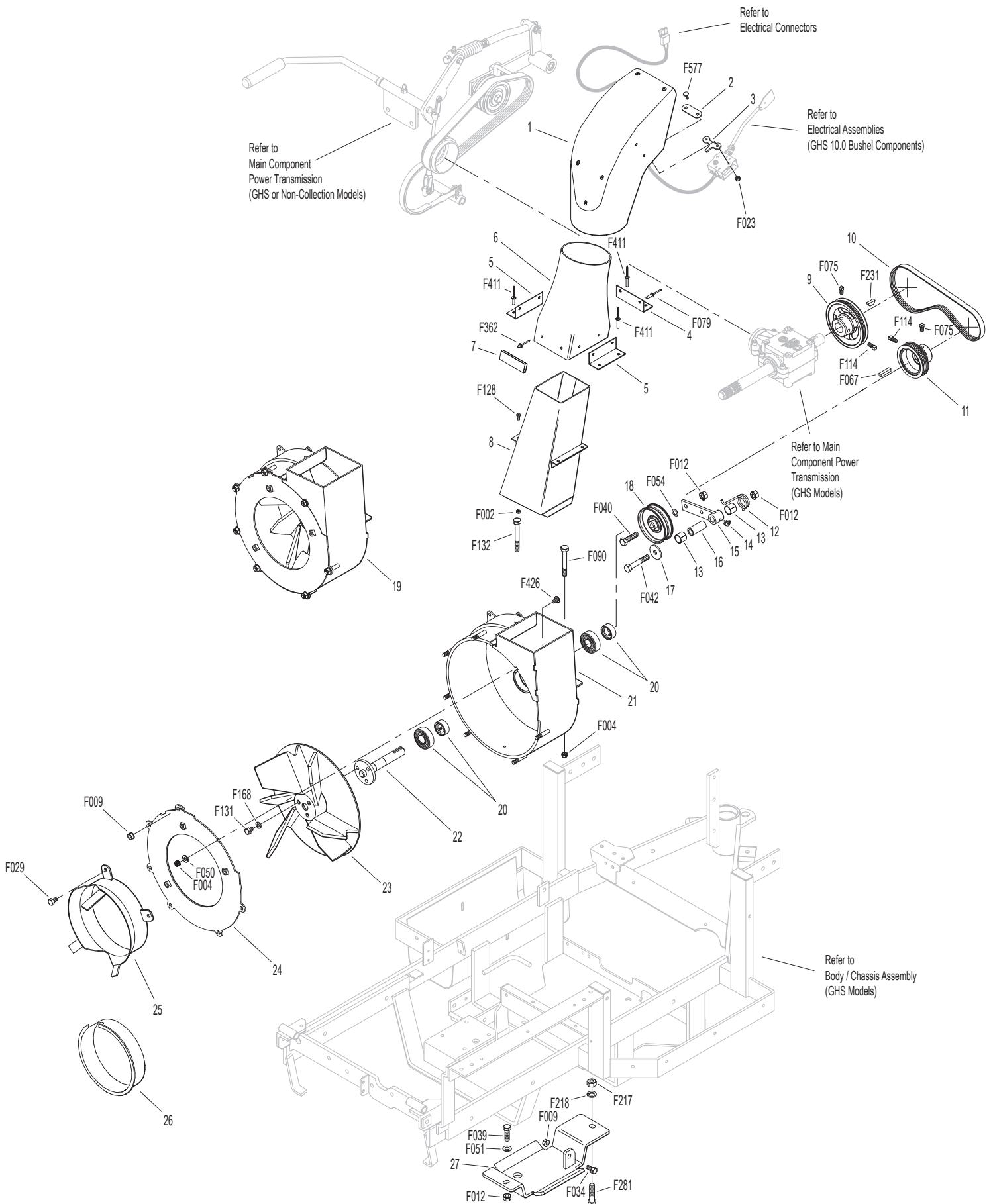
# PARKING BRAKE ASSEMBLY



# GHS GROUP

ITEM NO.	PART NO.	DESCRIPTION	NO. REQ'D	ITEM NO.	PART NO.	DESCRIPTION	NO. REQ'D
<b>Delivery Chute Assembly</b>				<b>Fasteners</b>			
1	5515-4	Elbow Delivery Spout	1	F002		10-24 Keps Nut	4
2	5592-24	Backing Plate, Grass-Pak® Switch	1	F004		1/4-20 Keps Nut	3
3	5592-23	Grass-Pak® Housing Spacer	1	F009		5/16-18 Whiz Locknut	7
4	5578	Rear Clip, Chute Mount	1	F012		3/8-16 Keps Nut	3
5	5577	Side Clip, Chute Mount	2	F023		10-24 ESNA Nut	2
6	8511-1	Delivery Chute W/Clips (Includes Items # 4, 5, 7, F362 & F411)	1	F029		1/4-20 x 1/2 Hex Bolt	3
7	5578-10	Front Clip, Chute Mount	1	F034		5/16-18 x 3/4 Hex Bolt	1
8	7530-4	Body Chute (10.5 Blower)	1	F039		3/8-16 x 1-1/4 Hex Bolt	1
				F040		3/8-16 x 1-1/2 Hex Bolt	1
				F042		3/8-16 x 2-1/4 Hex Bolt	1
				F050		1/4 SAE Washer	1
				F051		3/8 SAE Washer	1
				F054		AN960616 Washer	1
				F067		3/16 x 3/16 x 1 Key	1
				F075		5/16-18 x 1/2 SQH Set Screw	2
				F079		A/A66D Aluminum Pop Rivet	6
				F090		1/4-20 x 2-1/2 Hex Bolt	1
				F114		5/16-18 x 5/8 SQH Set Screw	2
				F128		10-24 x 3/8 PTHMS	4
				F131		5/16-18 x 1/2 Hex Bolt	3
				F132		1/4-20 x 2-3/4 Hex Bolt	1
				F168		5/16 Split Lock Washer	3
				F217		7/16-14 Hex Nut	1
				F218		7/16 Split Lock Washer	1
				F231		1/4 x 3/4 Woodruff Key (# 806)	1
				F281		7/16-14 x 1-3/4 Hex Bolt	1
				F362		A/A62D Alum. Pop Rivet (3/16D x 13/32L)	2
				F411		3/16 Bulbex Rivet	6
				F426		1/4-20 x 1/2 Carriage Bolt	1
				F577		10-24 x 5/8 Carriage Bolt	2
<b>Blower Belt Tightener Assembly</b>							
9	7238-6	Blower Drive Pulley (Includes Items # F075, F114 & F231)	1				
10	7234-2	Blower Belt (Micro-V)	1				
11	7239-1	Blower Pulley (Mirco-V) (Includes Items # F067, F075 & F114)	1				
12	7364-2	Torsion Spring	1				
13	7201-3	Fiberglide Bearing	2				
14	5830-3	Grease Fitting (45 Deg.)	1				
15	7364-1	Blower Belt Tightener Arm	1				
16	7201-4	Inner Race (1-1/2)	1				
17	5841	Retainer Washer (3/8 x 1-1/4)	1				
18	5245	Idler Pulley (3")	1				
<b>Blower Assembly</b>							
19	7544	Blower Assembly (10.5") (Includes Items # 20-24, F004, F009, F029, F050, F131, F168 & F426)	1				
20	5268	Bearing W/Collar (3/4)	2				
21	7544-3	Blower Housing (10.5)	1				
22	7545-2	Blower Output Shaft (10.5)	1				
23	7545	Blower Wheel (10.5")	1				
24	7543-1	Blower Faceplate (10.5)	1				
25	7526	Intake Tube (10.5 Blower)	1				
26	5595-2	Intake Cover / GHS	1				
27	7528-5	Skid Bar	1				

# GHS GROUP

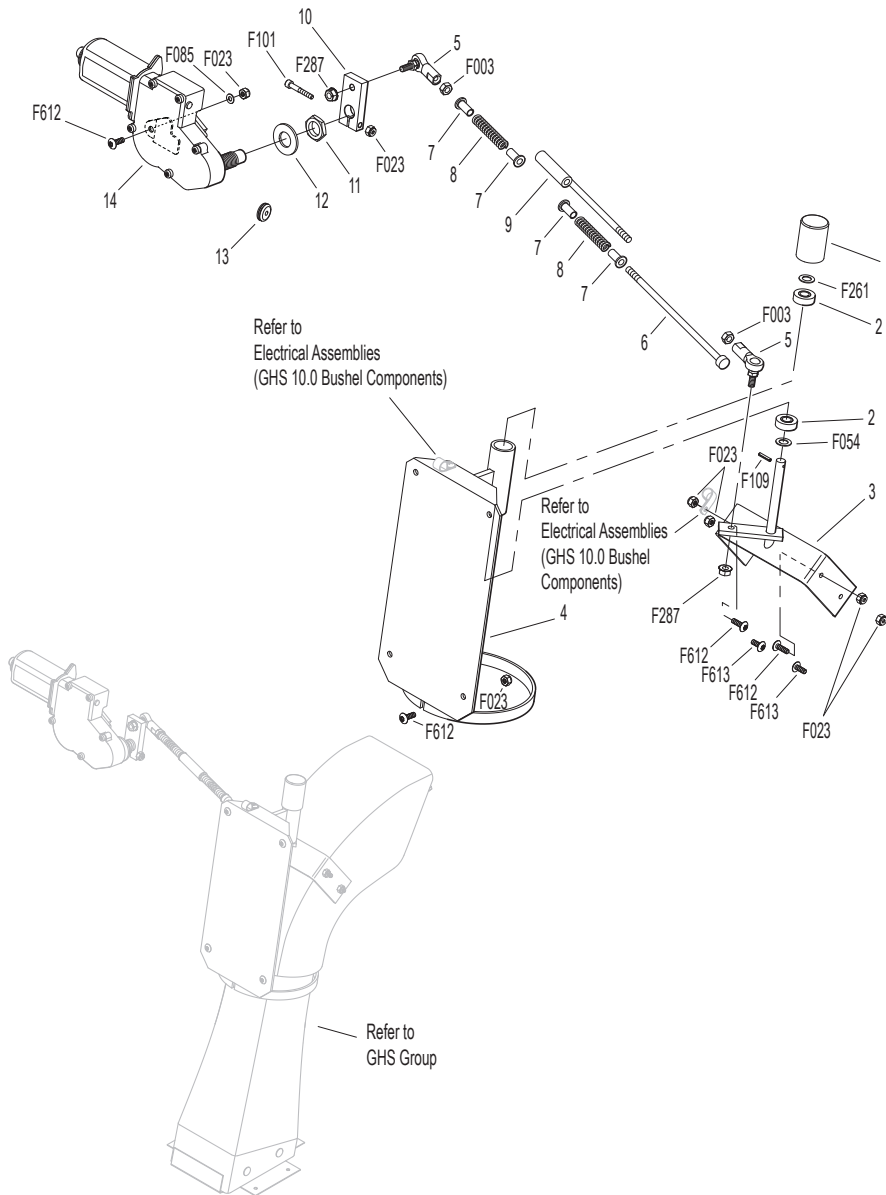


Beginning S/N 159728  
 Use only genuine **Walker®** replacement parts.

# GHS POWERFIL® ASSEMBLY

ITEM NO.	PART NO.	DESCRIPTION	NO. REQ'D	ITEM NO.	PART NO.	DESCRIPTION	NO. REQ'D
<b>10.0 GHS Powerfil® Assembly</b>				<b>Fasteners</b>			
1	5551-3	Bearing Cap, Powerfil®	1	F003		1/4-28 Hex Nut	2
2	5551-1	Pivot Bearing (#S3PP)	2	F023		10-24 ESNA Nut	10
3	5518-2	Pivot, Delivery Spout	1	F054		AN960616 Washer	1
4	5517-2	Pivot Mount	1	F085		3/16 Rivet Backup Washer	1
5	5552	Ball Joint (1/4-28)	2	F101		10-24 x 1-1/4 SHC Screw	1
6	5558-1	Powerfil® Push Rod	1	F109		1/8 x 5/8 Roll Pin	1
7	5553-3	Bushing, Powerfil® Actuator	4	F261		AN960616L Washer	1
8	5553-1	Compression Spring (1/2 x 2)	2	F287		1/4-28 Keps Nut	2
9	5558-2	Powerfil® Actuator Rod	1	F612		10-24 x 5/8 Truss Head Torx	7
	5549	Actuator Rod Assembly (Includes Items # 5-9 & F003)	*	F613		10-24 x 1/2 Truss Head Torx	2
10	5554	Actuator Arm	1	* Service Part Only			
11	5519-3	Motor Mount Nut (5/8-24)	*				
12	5519-2	Motor Mount Washer	*				
13	5976-2	Grommet (3/16 x 3/4)	1				
14	5519-5	Actuator Motor (12V) (Includes Items # 11 & 12)	1				

# GHS POWERFIL® ASSEMBLY

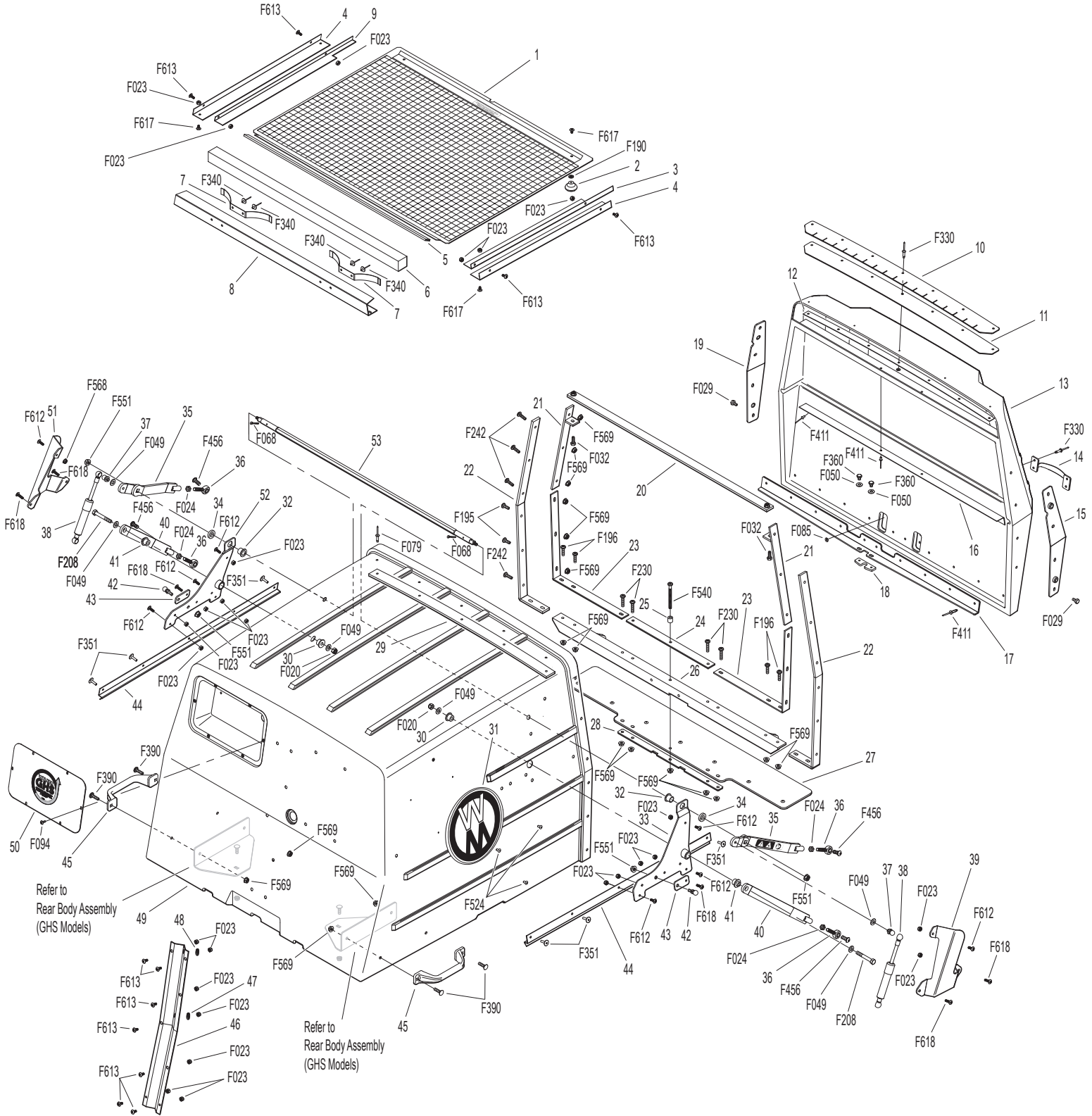


## GHS 10.0 BUSHEL CATCHER ASSEMBLY

ITEM NO.	PART NO.	DESCRIPTION	NO. REQ'D	ITEM NO.	PART NO.	DESCRIPTION	NO. REQ'D
<b>Upper Baffle Screen Assembly (Removable)</b>				46	8117	Wire Harness Channel	1
1	7512-8	Removable Screen (3/16 Hole) (Includes Items # 2, 5, F190 & F617)	1**	47	5976-2	Grommet (3/16 x 3/4)	1
2	7506	Knob / Threaded Insert (10-24)	2	48	5977-3	Grommet (9/16)	1
3	8606-3	Channel Top, LH	1	49	8602-3	10.0 Catcher W/O Powerfil®, Gray (Includes Door)	*
4	8606-2	Channel Bottom	2		8602-4	10.0 Catcher W/Powerfil®, Gray (Includes Door)	*
5	7856-1	Edge Molding (26")	1		8610-5	10.0 Bushel Catcher Box, Gray	*
6	7507	Screen Seal (27-1/2)	1	50	8607-9	Powerfil® Cover Plate	1
7	7505	Mustache Spring	2	51	8155-2	Gas Spring Cover, RH	1
8	8606	C-Channel (10.0)	1	52	8608-8	Hinge Plate, RH	1
	8606-20	C-Channel With Spring (10.0) (Includes Items # 7, 8 & F340)	*	53	8608-9	Torsion Bar	1
9	8606-4	Channel Top, RH	1	<b>5598-2 Optional Dump Bag (Not Shown)</b>			
<b>10.0 Exhaust Deflector Door Assembly</b>				May be ordered as an option. Contact your Walker dealer.			
10	8607-16	Upper Seal Support	1	<b>Fasteners</b>			
11	8607-17	Upper Door Seal	1	F020	5/16-18 ESNA Nut		2
12	8607-18	Backup Plate	1	F023	10-24 ESNA		29
13	8512-4	10.0 Catcher Box Door, Gray (Includes Items # 10-14, 16, 17, F085, F330 & F411)	1	F024	5/16-24 Jam Nut		4
14	5583	Handle	1	F029	1/4-20 x 1/2 Hex Bolt		8
15	8607-1	Door Mount, LH	1	F032	1/4-20 x 3/4 Hex Bolt		2
16	8607-12	Upper Door Stiffener	1	F049	5/16 SAE Washer		6
17	8607-7	Lower Door Stiffener	1	F050	1/4 SAE Washer		2
18	8607-8	Door Guide	1	F068	1/8 x 1 Cotter Pin		2
19	8607-2	Door Mount, RH	1	F079	A/A66D Aluminum Pop Rivet		5
<b>GHS 10.0 Bushel Catcher Assembly</b>				F085	3/16 Rivet Backup Washer		4
20	8608-13	Center Strap	1	F094	8-32 x 1/2 PTHMS		6
21	8608-3	Upper Frame Doubler	2	F190	#10 Internal Star Lock Washer		2
22	8608-1	Outside Box Strap	2	F195	1/4-20 x 3/4 PPHMS, SS		4
23	8608-2	Lower Frame Doubler	2	F196	1/4-20 x 1 PPHMS, SS		4
24	8608-4	Center Frame Doubler	1	F208	5/16-18 x 2-1/4 Hex Bolt		2
25	8608-11	Catcher Door Finger	1	F230	1/4-20 x 1-1/4 PPHMS, SS		4
26	8608-6	Catcher Mount	1	F242	1/4-20 x 7/8 PPHMS, SS		8
27	8610-4	Catcher Dump Flap W/Plate 10.0	1	F330	3/16D x 21/32L Rivet, SS		9
28	8610-3	Backing Plate, Dump Flap	1	F340	Rivet, Aluminum		4
29	7584	Reinforcing Strap	1	F351	Aluminum Pop Rivet		6
30	5103-5	Pivot Bushing Inner	2	F360	1/4-20 x 3/8 Hex Bolt		2
31	5801-3	Decal Plate, Round (Set of 2)	1	F390	1/4-20 x 7/8 Carriage Bolt		4
32	7620-3	Pivot Bushing (1/2 x 9/16)	2	F411	3/16 Bulbex Rivet		21
33	8608-7	Hinge Plate, LH	1	F456	5/16-18 x 3/4 SBH Cap Screw, SS		4
34	5103-7	Outside Torsion Bushing	2	F524	3/16 x 3/8 Aluminum Rivet, Black		6
35	8607-4	Upper Arm	2	F540	1/4-20 x 1-3/4 PPHMS, SS		1
36	5214-12	Ball Joint (5/16-24)	4	F551	5/16-18 Flange Top Lock Nut		4
37	5155-12	5/16 Ball Stud	2	F568	10-24 Flange Top Lock Nut		1
38	5155-4	Gas Spring	2	F569	1/4-20 Flange Top Lock Nut		27
39	8155-1	Gas Spring Cover, LH	1	F612	10-24 x 5/8 Truss Head Torx		8
40	8607-3	Lower Arm	2	F613	10-24 x 1/2 Truss Head Torx		11
41	5103-6	Pivot Bushing Outer	2	F617	10-24 x 3/8 Truss Head Torx		4
42	5155-13	3/4 Ball Stud	2	F618	10-24 x 3/4 Truss Head Torx		6
43	5523-6	Gas Spring Plate	2	* Service Part Only			
44	8608-10	Box Support, Gas Spring	2	** This screen can be replaced by P/N 7512-11 Removable Screen (3/4" holes) for improved air flow performance in wet conditions.			
45	7532-1	Handle, Catcher Lift	2				



# GHS 10.0 BUSHEL CATCHER ASSEMBLY

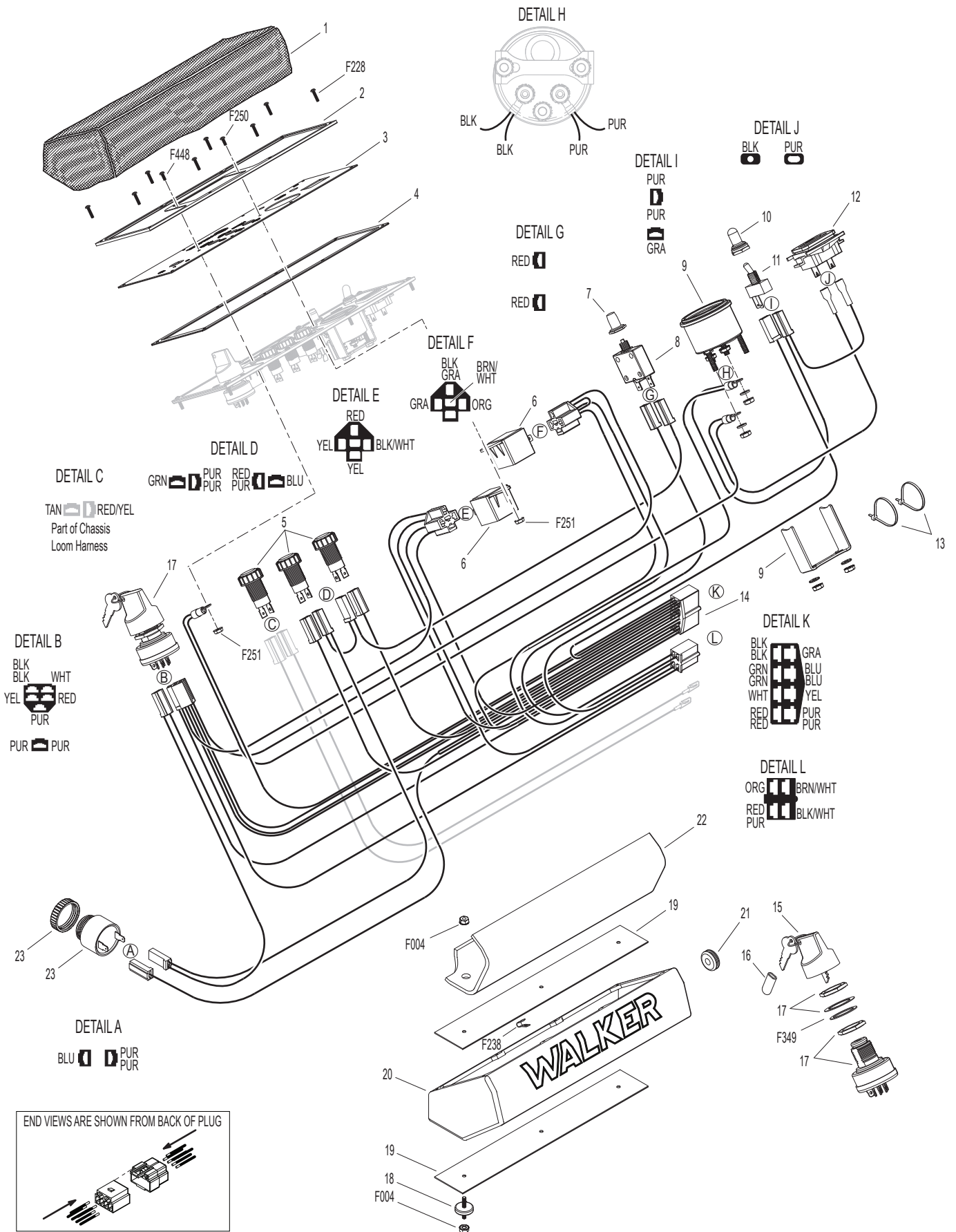


Beginning S/N 159728  
 Use only genuine Walker® replacement parts.

# INSTRUMENT PANEL ASSEMBLY

ITEM NO.	PART NO.	DESCRIPTION	NO. REQ'D	ITEM NO.	PART NO.	DESCRIPTION	NO. REQ'D
<b>Instrument Panel Assembly</b>				18	7307-1	Shock Mount (1.0 x .25)	3
1	7307-2	Instrument Panel Cover (Optional)	**	19	7391	Panel Box Mount Plate	2
	8306-5	Instrument Panel Assembly (Includes Items # 2-12, 14, 17, 23, F228, F250, F251, F349 & F448)	1	20	8385	Panel Box W/Graphic	1
2	7307-7	Panel Frame	1	21	7977-3	Grommet (1/8 x 1-1/8)	1
3	8820-4	Panel Faceplate W/Decal	1	22	7307-16	Lining, Panel Box (1/8)	1
4	7386	Panel Gasket	1	23	8536	Warning Horn	1
5	8996-9	Red Indicator Light Assembly	3	<b>Fasteners</b>			
6	6942	Relay Switch 20/40 Amp (NC)	2	F004	1/4-20 Keps Nut		6
7	7941-3	Boot, Circuit Breaker	1	F228	#6 x 5/8 PPHSMS, SS		8
8	7941-5	Circuit Breaker (7 Amp)	1	F238	J Clip, Instrument Panel		8
9	8997	Voltmeter Gauge	1	F250	6-32 x 1/2 PPHMS		1
10	5995-2	Switch Boot	1	F251	6-32 Keps Nut		2
11	5995	Toggle Switch (Off-On)	1	F349	Washer .835 ID, 1.122 OD, SS		1
12	8990-1	Hourmeter (Global)	1	F448	6-32 x 5/16 PPHMS		1
13	5975-1	Cable Tie (18# x 3-3/4")	2	* Service Part Only			
14	8945-3	Wire Harness, Instrument Panel	1	** May be ordered as an option. Contact your Walker dealer.			
15	8960-3	Key Set W/Umbrella	*	<b>NOTE:</b> Refer to <b>ELECTRICAL CONNECTORS</b> , Page 38 for identification of all Electrical Wiring Service Parts.			
16	7854	Plastic Tip, Red	1				
17	8960-15	Ignition Switch (With Keys) (Includes Items # 15, 16 & F349)	1				

# INSTRUMENT PANEL ASSEMBLY



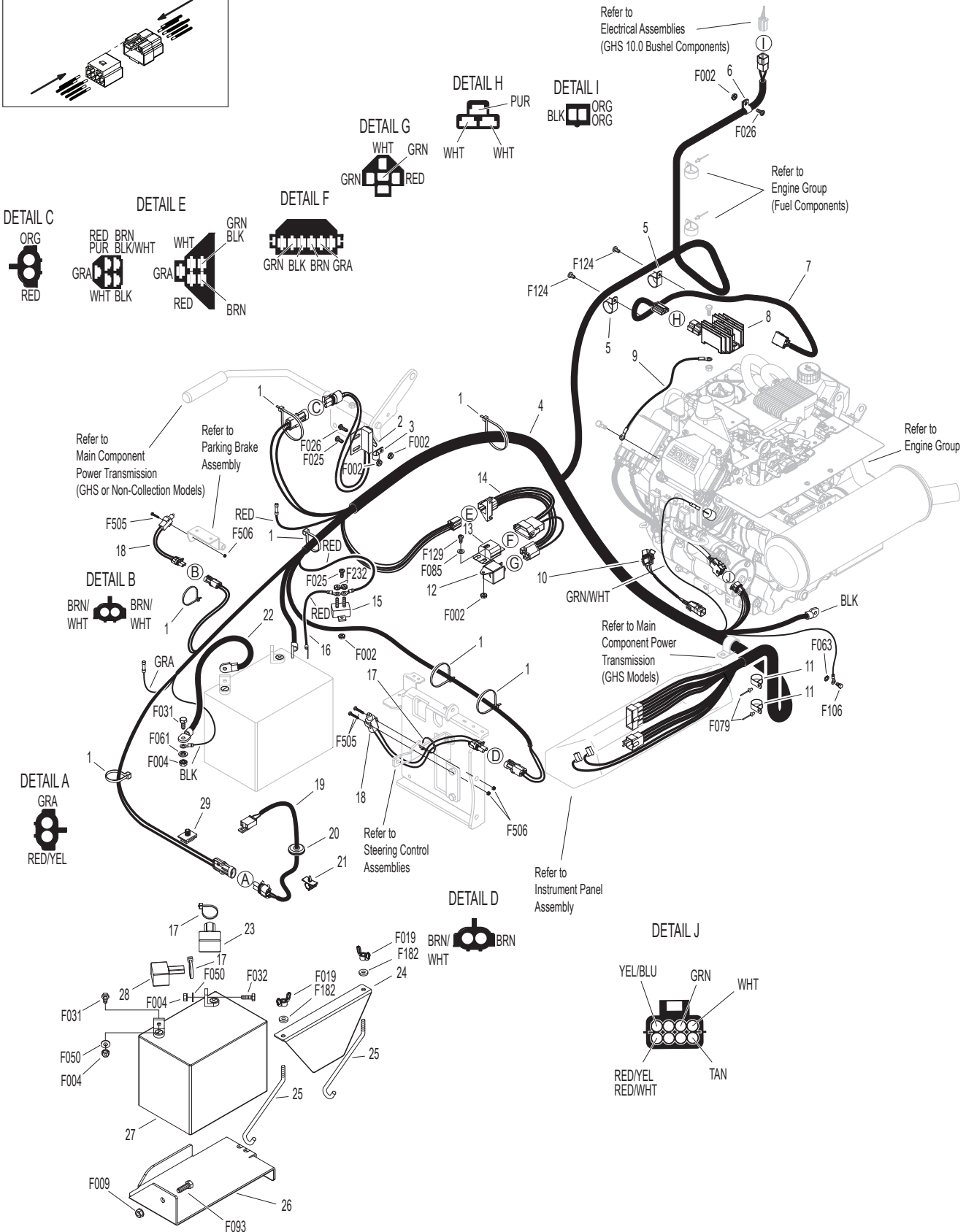
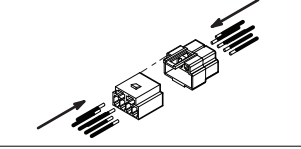
Beginning S/N 159728  
 Use only genuine Walker® replacement parts.

# ELECTRICAL ASSEMBLY

ITEM NO.	PART NO.	DESCRIPTION	NO. REQ'D	ITEM NO.	PART NO.	DESCRIPTION	NO. REQ'D
<b>Harness Assembly</b>				<b>Fasteners</b>			
1	5975-3	Cable Tie (50# x 7")	7	F002		10-24 Keps Nut	6
2	5942-4	Safety Switch (Normal Open)	1	F004		1/4-20 Keps Nut	3
3	5833	Cable Clamp (1/4)	1	F009		5/16-18 Whiz Locknut	1
4	8940-32	Wire Harness	1	F019		1/4-20 ESNA Wing Nut	2
5	7833	Cable Clamp (7/8 x 1/4)	2	F025		10-24 x 3/8 PPHMS	3
6	5832	Cable Clamp (1/2)	1	F026		10-24 x 1/2 PPHMS	2
7	8012-5	Regulator Adapter Harness	1	F031		1/4-20 x 5/8 Hex Bolt	2
8	NS	Rectifier	*	F032		1/4-20 x 3/4 Hex Bolt	1
9	8012-7	Ground Wire	1	F050		1/4 SAE Washer	2
10	8016-12	Diagnostic Extension Wire	1	F061		1/4 Star Lock Washer	1
11	7833-2	Cable Clamp (1 x 1/4)	2	F063		3/8 Internal Star Lock Washer	1
12	6942	Relay Switch 20/40 Amp (NC)	1	F079		A/A66D Aluminum Pop Rivet	2
13	7948-6	Time Delay Module	1	F085		3/16 Rivet Backup Washer	1
14	7948-5	Time Delay Harness	1	F093		5/16-18 x 1 Hex Bolt	1
15	8941	Circuit Breaker (30 Amp) Auto Reset / Sealed	1	F106		3/8-16 x 5/8 Hex Bolt	1
16	8943	Positive Battery Lead Wire (Red)	1	F124		10-32 x 3/8 Taptite Machine Screw	2
17	5975-1	Cable Tie (18# x 3-3/4")	3	F129		10-24 x 1/2 PTHMS	1
18	5942-16	Safety Switch (Normal Open), Delta WP	2	F182		1/4 x 5/8 x 1/8 Washer	2
19	6104-13	Adapter Harness	1	F232		10-32 Keps Nut	2
20	5977-6	Grommet (1 x 1-1/4)	1	F505		6-32 x 7/8 Hex Trim MS, SS	4
21	6105-3	Harness Clip	1	F506		6-32 Nylock Nut	4
				* Service Part Only			
<b>Battery Assembly</b>				<b>NOTE:</b> Refer to <b>ELECTRICAL CONNECTORS</b> , Page 38 for identification of all Electrical Wiring Service Parts.			
22	6923	Negative Battery Cable	1				
23	5933	Battery Terminal Insul., Red (+)	1				
24	5844-3	Battery Hold-Down Bar	1				
25	5839	Hook Bolt	2				
26	6390-2	Battery Pan	1				
27	NS	Battery (12V/340CCA/Dry)	1				
28	5932	Battery Terminal Insul., Black (-)	1				
29	7834-2	Wire Saddle (2 Wires)	1				

# ELECTRICAL ASSEMBLY

END VIEWS ARE SHOWN FROM BACK OF PLUG



# ELECTRICAL ASSEMBLIES (GHS 10.0 BUSHEL COMPONENTS)

ITEM NO.	PART NO.	DESCRIPTION	NO. REQ'D
----------	----------	-------------	-----------

### Horn & Harness Channel Assemblies

1	5977-2	Grommet, Cut (1/8 x 3/8)	2
2	5975-1	Cable Tie (18# x 3-3/4")	1
3	5975-3	Cable Tie (50# x 7")	1
4	5536-2	Horn, Full Signal	*

### Harness & Grass-Pak® Switch Assemblies

5	8950-4	Powerfil® Wire Harness (7.0 / 10.0)	1
6	5594-6	Aluminum Shaft & Vane Assembly	1
7	5592-20	Grass-Pak® Switch Assembly	1
8	5833	Cable Clamp (1/4)	2

ITEM NO.	PART NO.	DESCRIPTION	NO. REQ'D
----------	----------	-------------	-----------

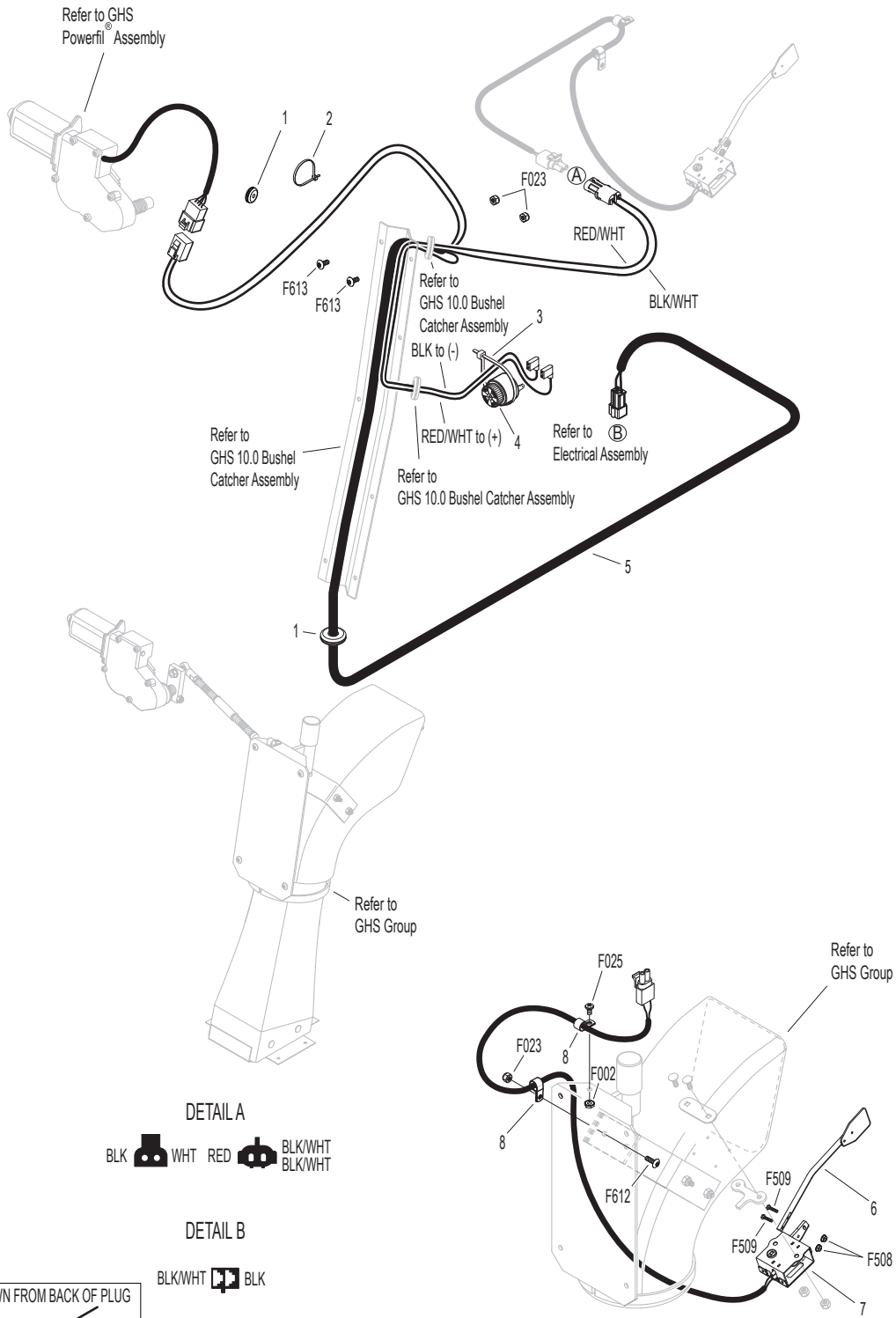
### Fasteners

F002	10-24 Keps Nut	1
F023	10-24 ESNA Nut	3
F025	10-24 x 3/8 PPHMS	1
F508	4-40 Keps Nut, SS	2
F509	4-40 x 1/2 Hex Head, SS	2
F612	10-24 x 5/8 Truss Head Torx	1
F613	10-24 x 1/2 Truss Head Torx	2

\* Service Part Only

**NOTE:** Refer to **ELECTRICAL CONNECTORS**, Page 38 for identification of all Electrical Wiring Service Parts.

# ELECTRICAL ASSEMBLIES (GHS 10.0 BUSHEL COMPONENTS)



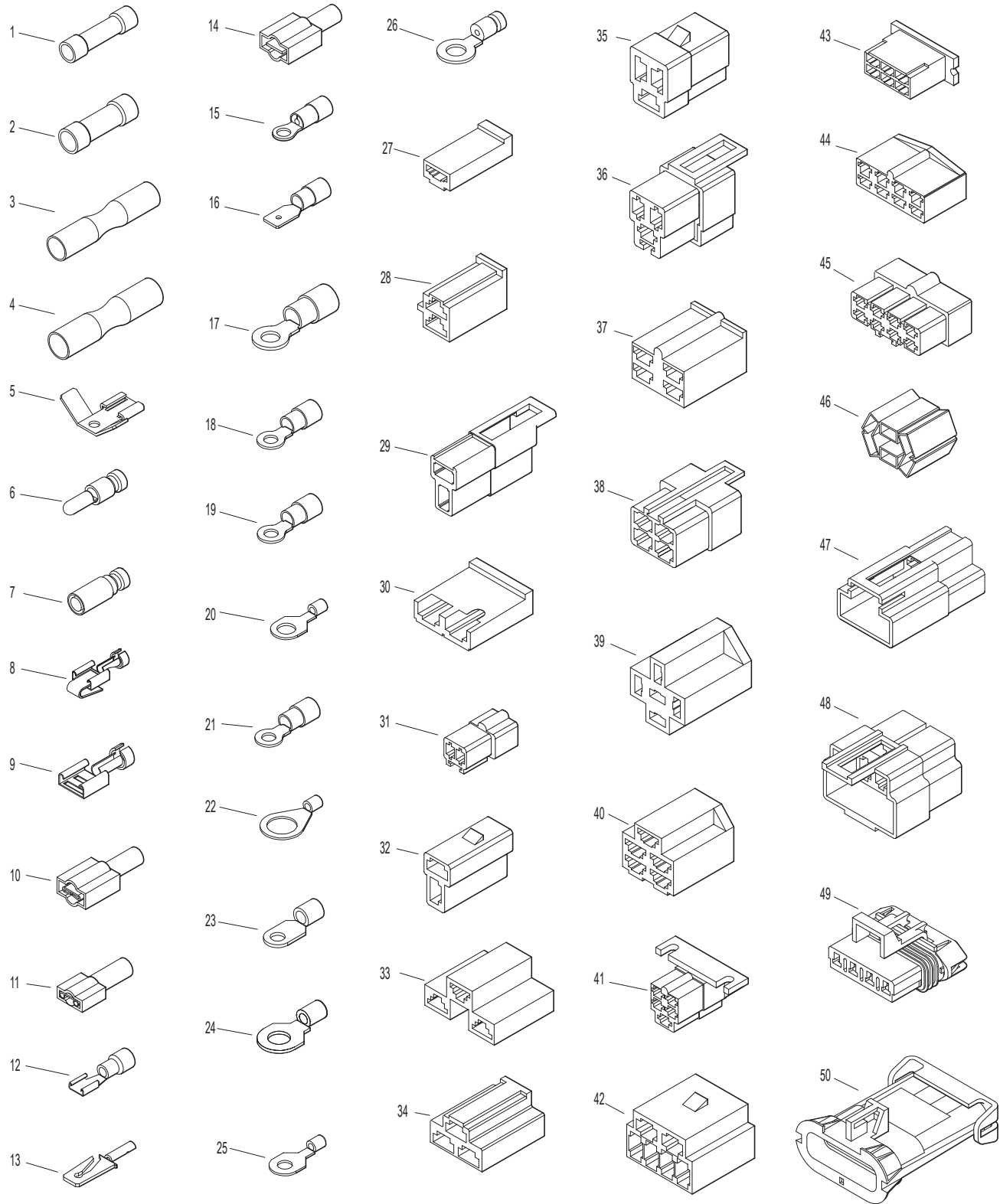
Beginning S/N 159728  
 Use only genuine **Walker**® replacement parts.



# ELECTRICAL CONNECTORS

ITEM NO.	PART NO.	DESCRIPTION	NO. REQ'D	ITEM NO.	PART NO.	DESCRIPTION	NO. REQ'D
<b>Electrical Wiring Service Parts</b>				29	7942-1	2-Way Locking Connector, Female	*
1	5996-1	16-14 GA Butt Connector	*	30	7942-2	2-Way Connector, Male	*
2	5996-11	12-10 GA Butt Connector	*	31	7942-3	2-Way Connector, Female	*
3	7942-14	16-14 GA Shrink Connector	*	32	7942-10	2-Way Locking Connector, Male	*
4	7942-13	12-10 GA Shrink Connector	*	33	5940-8	3-Way Connector, Male	*
5	5995-1	Wire Terminal Adapter	*	34	7942-9	3-Way Connector, Male	*
6	5996-4	16-14 GA Bullet Conn., Male	*	35	8944	3-Way Locking Connector, Male	*
7	5996-5	16-14 GA Bullet Conn., Female	*	36	8944-1	3-Way Locking Connector, Female	*
8	5940-4	16-14 GA Spg. Loaded Term., Female	*	37	7942-11	4-Way Connector, Male	*
9	5940-7	Wire Clip, Female	*	38	7942-12	4-Way Connector, Female	*
10	5996	1/4 x 16-14 GA QKS Term., Female	*	39	7942-5	5-Way Connector, Male	*
11	5996-2	3/16 x 22-18 GA QKS Term., Female	*	40	5940-2	5-Way Connector, Male	*
12	7996	16-14 GA QKS Term., Female	*	41	8942-1	5-Way Connector, Female	*
13	5940-5	16-14 GA Spg. Loaded Term., Male	*	42	7942-6	6-Way Connector, Male	*
14	5996-0	1/4 x 22-18 GA QKS Term., Male	*	43	7942-7	6-Way Connector, Male	*
15	5996-18	16-14 GA Ring Term. (#8) Nylon Insulated	*	44	7942-8	8-Way Connector, Male	*
16	7996-1	1/4 x 16-14 GA QKS Term., Male	*	45	8942-2	8-Way Connector, Female	*
17	5996-8	6 GA Ring Lug (5/16) Insulated	*	46	8942-3	5-Way Connector, Male	*
18	5996-9	22-18 GA Ring Term. (#10)	*	47	5940-9	3-Way Connector (M)	*
19	5996-10	16-14 GA Ring Term. (5/16) Insulated	*	48	7942-15	6-Way Connector (Female)	*
20	5996-12	12-10 GA Ring Term. (5/16)	*	49	7940-3	Packard Plug (Male)	*
21	5996-13	16-14 GA Ring Term. (#10) Insulated	*	50	7940-4	Packard Plug (Female)	*
22	5996-15	12-10 GA Ring Term. (1/2)	*	* Service Part Only			
23	5996-16	6 GA Ring Terminal (1/4)	*	<b>NOTE:</b> Not all Electrical Connectors are used with all assemblies.			
24	5996-17	16-14 GA Ring Term. (1/4)	*	<b>NOTE:</b> Refer to <b>ELECTRICAL ASSEMBLY</b> , Page 34 for locations of Wiring Harness and of all Electrical Wiring Service Parts.			
25	5996-20	12-10 GA Ring Term. (1/4) Insulated	*				
26	5996-21	12-10 GA Ring Term. (#10) Insulated	*				
27	7942-4	Single Connector, Male	*				
28	8942	2-Way Connector, Male	*				

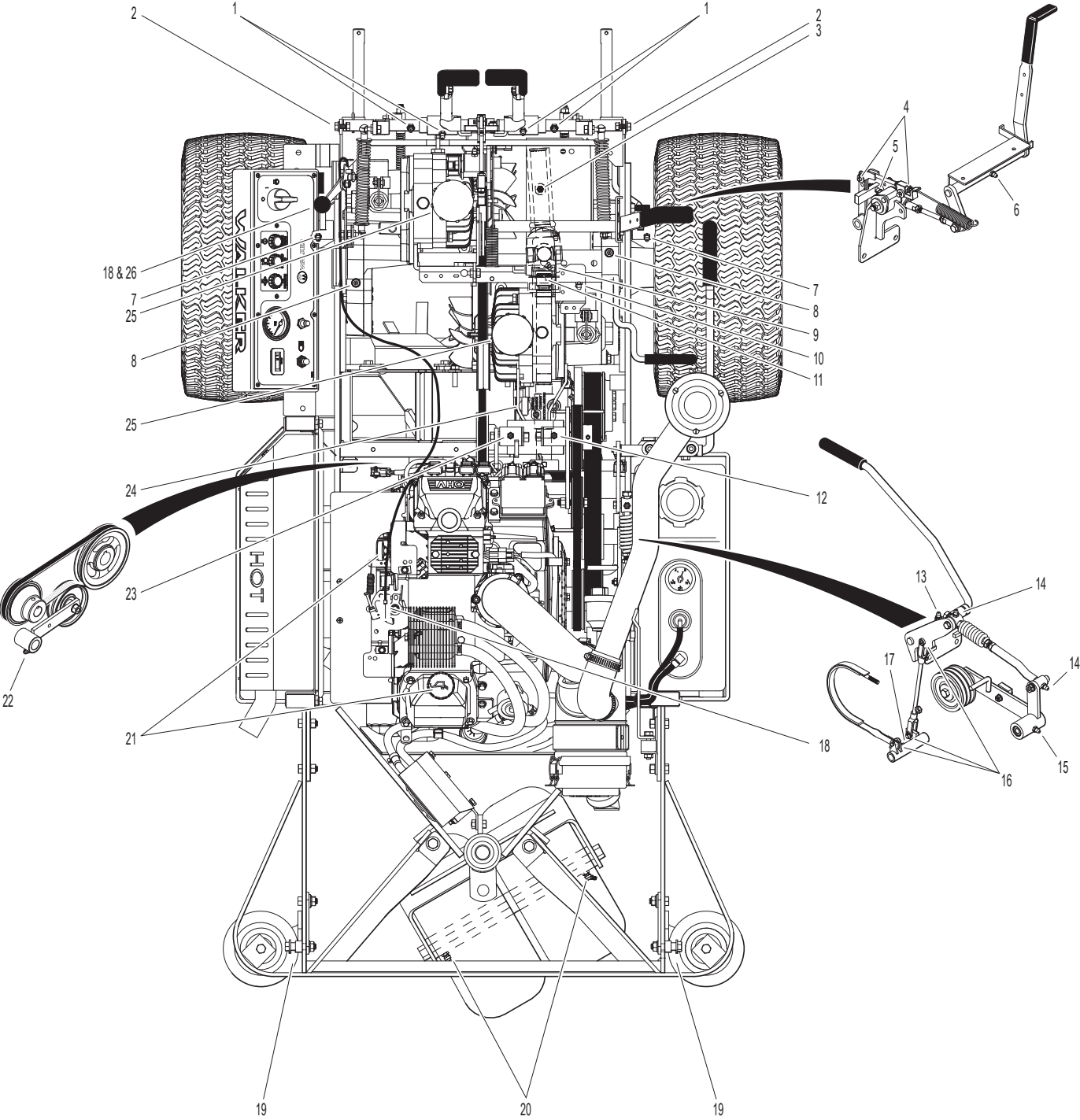
# ELECTRICAL CONNECTORS



# LUBRICATION POINTS

ITEM NO.	LOCATION	LUBRICATION TYPE	NO. PLACES	ITEM NO.	LOCATION	LUBRICATION TYPE	NO. PLACES
<b>Lubrication Points</b>				17	Brake Actuator Pivot	Grease	1
1	Steering Lever Pivot	Grease	4	18	Throttle Control Cable Ends	Oil	2
2	Body Hinge Point	Oil	2	19	Catcher Hinge Point	Oil	2
3	Deck-to-PTO Coupling (Grease Spline Slide Area)	Grease	1	20	Rear Wheel Bearings	Grease	2
4	FSC Actuator Rod Pivots	Oil	2	21	Engine Dipstick / Oil Filler	Oil**	1
5	(FSC) Friction Body Pivot	Grease	1	22	Belt Tightener Pivot, Blower Drive (GHS Model Only)	Grease	1
6	FSC Lever Pivot	Grease	1	23	Belt Tightener Pivot, Ground Drive	Grease	1
7	Deck Support Arm Pivot	Grease	2	24	PTO Gearbox Dipstick	Oil**	1
8	Gear Axle	Oil**	2	25	Hydrostatic Drive	Oil**	2
9	Universal Joint Tube Assembly	Grease*	1	26	Throttle Control Pivot	Oil	1
10	Parking Brake Lever	Grease	1	* Grease every twenty-five (25) hours.			
11	Universal Joint Quick Connect Spline (Grease Slide Area)	Grease	1	** Refer to T27i <b>Operator's Manual</b> for procedure for checking and changing oil in Engine Crankcase, Hydrostatic Transmissions and Gear Axles.			
12	Belt Tightener Pivot, Jackshaft Drive	Grease	1	<b>NOTE:</b> See Model T27i <b>Operator's Manual</b> (P/N 8000-38) for proper lubrication intervals.			
13	PTO Clutch Lever Pivot	Grease	1				
14	Clutch Actuator Push Rod	Grease	2				
15	Belt Tightener Pivot, PTO Clutch	Grease	1				
16	Brake Actuator Rod and Brake Band Pivot Pins (Clevis)	Oil	3				

# LUBRICATION POINTS



Beginning S/N 159728  
Use only genuine Walker® replacement parts.

# WIRING SCHEMATIC

## WALKER MODEL MT27i Beginning S/N 2020- 159728

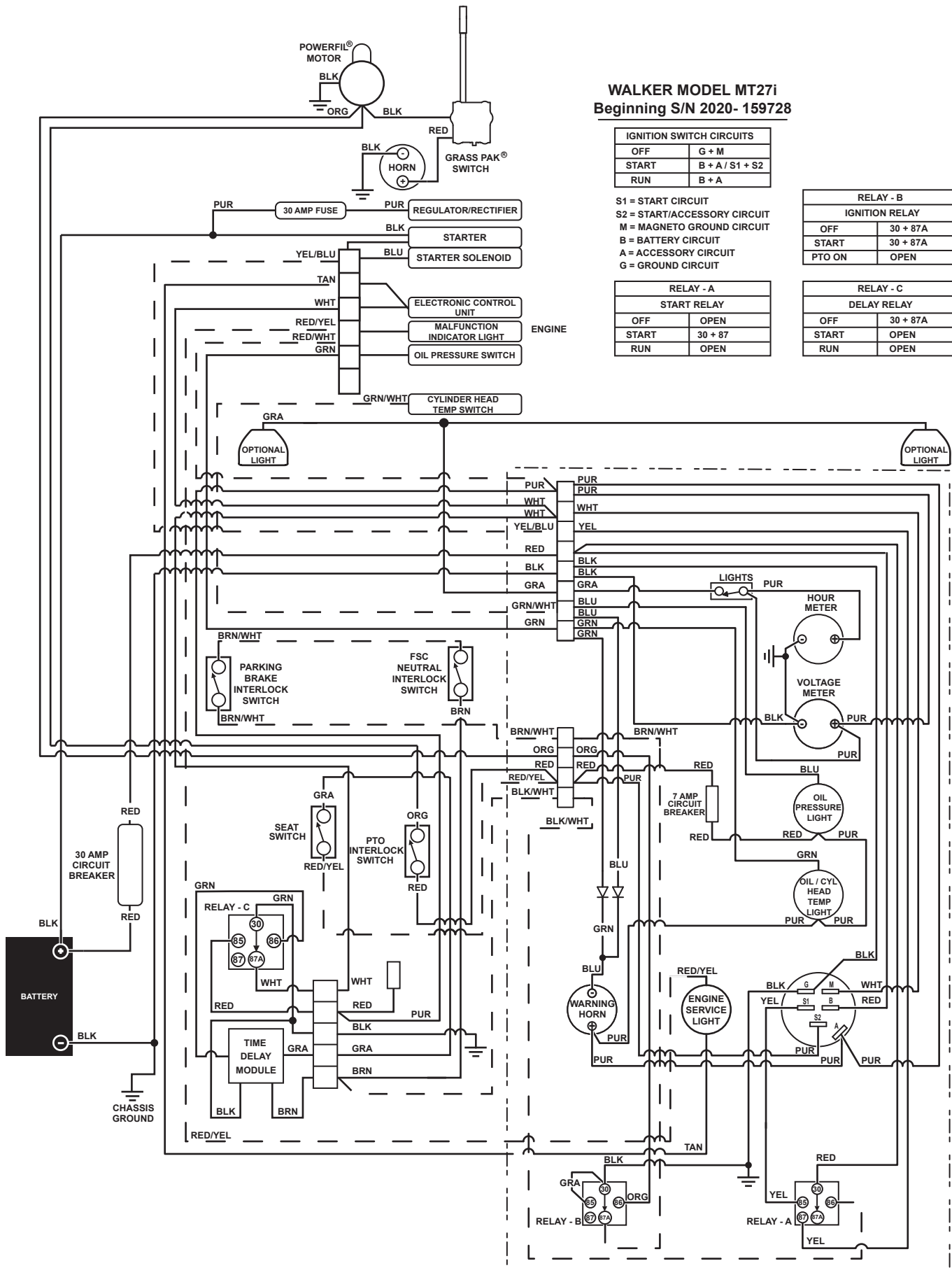
IGNITION SWITCH CIRCUITS	
OFF	G + M
START	B + A / S1 + S2
RUN	B + A

S1 = START CIRCUIT  
S2 = START/ACCESSORY CIRCUIT  
M = MAGNETO GROUND CIRCUIT  
B = BATTERY CIRCUIT  
A = ACCESSORY CIRCUIT  
G = GROUND CIRCUIT

RELAY - B IGNITION RELAY	
OFF	30 + 87A
START	30 + 87A
PTO ON	OPEN

RELAY - A START RELAY	
OFF	OPEN
START	30 + 87
RUN	OPEN

RELAY - C DELAY RELAY	
OFF	30 + 87A
START	OPEN
RUN	OPEN









# LIMITED WARRANTY FOR WALKER COMMERCIAL RIDER MOWER

## 1. WHAT THIS WARRANTY COVERS, AND FOR HOW LONG:

Walker Manufacturing company will, at its option, repair or replace, without charge, any part covered by this warranty which is found to be defective in material and/or workmanship within two (2) years\* after the date of sale to the original retail purchaser unless the product is used for rental purposes, in which case this warranty is limited to ninety (90) days. At Walker's request, customer will make the defective part available for inspection by Walker and/or return the defective part to Walker, transportation charges prepaid. All parts and components of the Walker Mower are covered by this warranty **except** the following components which are warranted separately by their respective manufacturers:

Kohler Engine  
Battery

The available warranties covering these items are furnished with each mower. Walker does not assume any warranty obligation, liability or modification for these items, which are covered exclusively by the stated warranty of the respective manufacturers noted above.

\* Extended warranties are offered for the following powertrain components:

- A three (3) year unlimited hour warranty is offered for the Walker P/N 6200-9 Gear Axle Assembly.
- A three (3) year or 3000 hour (whichever comes first) warranty is offered for Eaton Model 7 Hydrostatic transmissions; covers full cost of replacement up to 1000 hours of use, and after 1000 hours warranty coverage is prorated against 3000 hours.

## 2. WHAT THIS WARRANTY DOES NOT COVER:

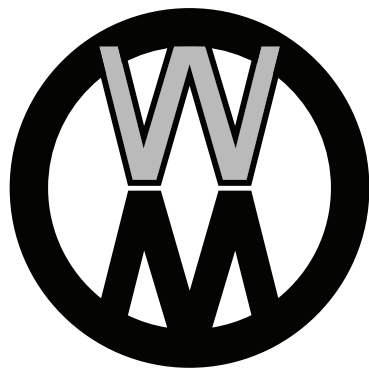
- A. This warranty does not cover defects caused by depreciation or damage caused by normal wear, accidents, improper maintenance, improper use or abuse of the product, alterations, or failure to follow the instructions contained in the Operator's Manual for operation and maintenance.
- B. The customer shall pay any charges for making service calls and/or for transporting the mower to and from the place where the inspection and/or warranty work is performed.

## 3. HOW TO OBTAIN SERVICE UNDER THIS WARRANTY:

Warranty service can be arranged by contacting the dealer where you purchased the mower or by contacting Walker Manufacturing Company, 5925 East Harmony Road, Ft. Collins, CO 80528. Proof of the date of purchase may be required to verify warranty coverage.

## 4. WARRANTY LIMITATION:

- A. **THERE IS NO OTHER EXPRESS WARRANTY. ANY WARRANTY THAT MAY BE IMPLIED FROM THIS PURCHASE INCLUDING MERCHANTABILITY AND FITNESS FOR A PARTICULAR PURPOSE IS HEREBY LIMITED TO THE DURATION OF THIS WARRANTY AND TO THE EXTENT PERMITTED BY LAW ANY AND ALL IMPLIED WARRANTIES ARE EXCLUDED.** Some states do not allow limitations on how long an implied warranty lasts, so the above limitations may not apply to you.
- B. **WALKER WILL NOT BE LIABLE FOR ANY INCIDENTAL, CONSEQUENTIAL, OR SPECIAL DAMAGES AND/OR EXPENSES IN CONNECTION WITH THE PURCHASE OR USE OF THE MOWER.** Some states do not allow the exclusion or limitation of incidental or consequential damages, so the above limitation(s) or exclusion(s) may not apply to you.
- C. Only the warranty expressed in this limited warranty shall apply and no dealer, distributor, or individual is authorized to amend, modify, or extend this warranty in any way. Accordingly, additional statements such as dealer advertising or presentations, whether oral or written, do not constitute warranties by Walker, and should not be relied upon.
- D. This warranty gives you specific legal rights, and you may also have other rights which vary from state to state.



**WALKER**

**WALKER MFG. CO. • 5925 E. HARMONY ROAD, FORT COLLINS, CO 80528 • (970) 221-5614**  
**FORM NO. 010820      PRINTED IN USA      [www.walker.com](http://www.walker.com)      ©2020 WALKER MFG. CO**