



# WALKER

## Illustrated Parts Manual

# R21



Beginning S/N: 160824  
P/N 1000-2

# KEY TO ABBREVIATIONS USED IN THIS MANUAL

<i>Abbreviation</i>	<i>What it Represents</i>
° (Dimension)	Degrees (Angle)
" (Dimension)	inches
(-)	Negative (Polarity)
(+)	Positive (Polarity)
AT	All-Terrain
CCW	Counter-clockwise
Conn	Connector
CW	Clockwise
D	Diameter
DC	Deck, Collection (number refers to size in inches)
DM	Deck, Mulching (number refers to size in inches)
DR	Deck, Rear Discharge (number refers to size in inches)
DS	Deck, Side Discharge (number refers to size in inches)
DU	Garlock (Bearing)
ESNA (Fastener)	Nylon Insert Locknut
FSC	Forward Speed Control
GA	Gauge
gal	gallon
GHS	Grass Handling System
GR (Fastener)	Grade
HD	Heavy Duty
HP	Horse Power
ID	Identification or Inside Diameter
L	Length
LH	Left Hand (orientated with operator on seat)
LP	Low Profile
mm (Dimension)	millimeters
MS (Fastener)	Machine Screw
NS (as part number)	Item is not sold by Walker Manufacturing
OD	Outside Diameter
oz	ounce
PFH (Fastener)	Phillips Flat Head
P/N	Part Number
PPH (Fastener)	Phillips Pan Head
PTH (Fastener)	Phillips Truss Head
PTO	Power Take-Off
QKS	Quick Slide
qt	quart
RH	Right Hand (orientated with operator on seat)
SAE (Fastener)	Society of Automotive Engineers
SBH (Fastener)	Socket Button Head (Bolt)
SD	Side Discharge
SFH (Fastener)	Slotted Flat Head
SHC (Fastener)	Socket Head Cap
SHL (Fastener)	Shoulder (Bolt)
SM (Fastener)	Sheet Metal (Screw)
S/N	Serial Number
Spg	Spring
SQH (Fastener)	Square Head
SS (Fastener)	Stainless Steel
ST (Fastener)	Self-Tapping (Screw)
Term	Terminal
V	Volts

**NOTE:** In some instances, combinations of abbreviations may be used (e.g. PPHMS - Phillips Pan Head Machine Screw).

# ILLUSTRATED PARTS LIST

<i>Section of Tractor Covered</i>	<i>Page</i>	<i>Section of Tractor Covered</i>	<i>Page</i>
<hr/>		<hr/>	
<b>Decals</b>		<b>Decks and Carrier Frames</b>	
Tractor Decals .....	2	DS42-R Complete Carrier Frame Assembly .....	16
<b>Body / Chassis Assemblies</b>		DS42-R Deck Assembly.....	18
Body / Chassis Assembly .....	4	DM42-R Deck Assembly .....	20
<b>Tractor Components</b>		DS48-R Complete Carrier Frame Assembly .....	22
Main Component Power Transmission .....	6	DS48-R Deck Assembly.....	24
Engine Group.....	8	DM48-R Deck Assembly .....	26
Hydrostatic and Brake Assemblies.....	10	<b>Maintenance</b>	
Steering Control Assemblies.....	12	Lubrication Points .....	28
<b>Electrical Components</b>		Wiring Schematic.....	30
Electrical Assembly .....	14	Maintenance And Service Record Sheet.....	31
		<b>Warranty</b>	
		Limited Warranty .....	33

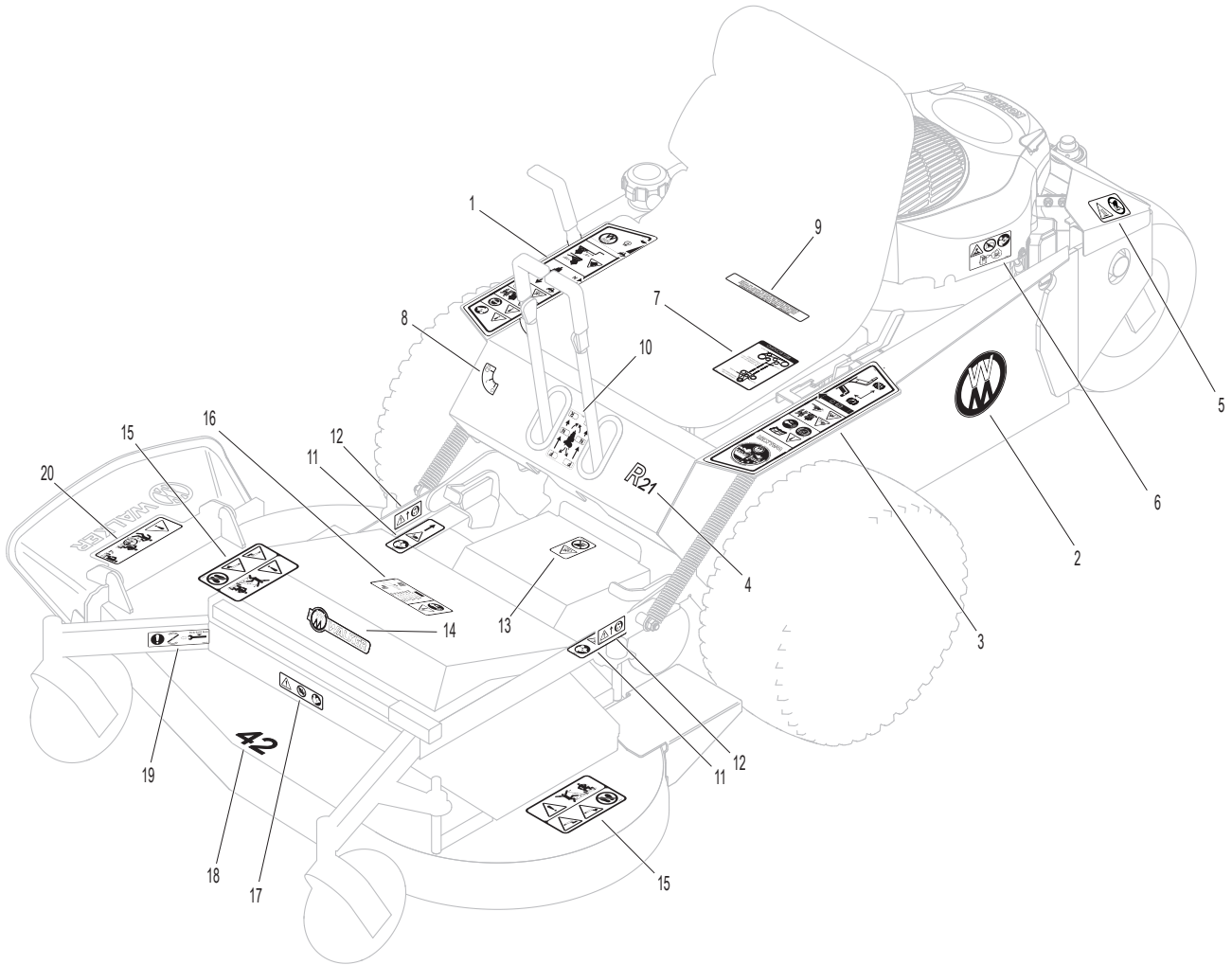
# TRACTOR DECALS

ITEM NO.	PART NO.	DESCRIPTION	LOCATION	NO. REQ'D
<b>Walker Product and Operation Decals</b>				
1	8600-52	RH Fender	Chassis, RH Side Near Seat	1
2	5800-9	Decal, Walker Round (4-3/4")	Chassis, LH Side	1
3	8600-53	LH Fender	Chassis, LH Side Near Seat	1
4	8821-28	Decal, R21	Chassis, Front	1
<b>Danger Decals Warning Decals Caution Decals</b>				
5	8600-5	Caution, Engine Exhaust	Muffler Guard	1
6	8600-12	Caution, Engine Exhaust	Engine, LH Side	1
7	1600-1	Decal, Belt Routing	Seat Pan, Underside	1
<b>Maintenance Decals</b>				
8	8600-54	Decal, Ignition Switch	Chassis, Front	1
9	5855	Important, Engine Cooling	Engine	1
10	1600-2	Decal, Steering Lever	Chassis, Front	1
<b>DS42-R, DS48-R, DM42-R &amp; DM48-R Deck Decals</b>				
11	8600-57	Caution, Pinch Point	Carrier Frame	2
12	1600-3	Danger, Tilt-Up	Carrier Frame	2
13	8600-55	Belt Danger	Drive Belt Guard	1
14	5809-2	Decal, Walker	Footrest, Front	1
15	8600-28	Danger, Rotating Blades	Deck Housing (one on each end)	2
16	1600-4	Deck Height Adjustment	Footrest	1
17	8600-14	Danger, Tilt-Up	Carrier Frame, Front	1
18	8821-15	Decal (42")	Deck Housing	1
	8821-16	Decal (48")	Deck Housing	1
19	8600-56	Blade Mounting Torque	Carrier Frame	1
20	5848-3	Danger, Side Discharge Shield	Side Discharge Shield	1

**NOTE:** All parts requiring decals are shipped with decals applied.



# TRACTOR DECALS



# BODY / CHASSIS ASSEMBLY

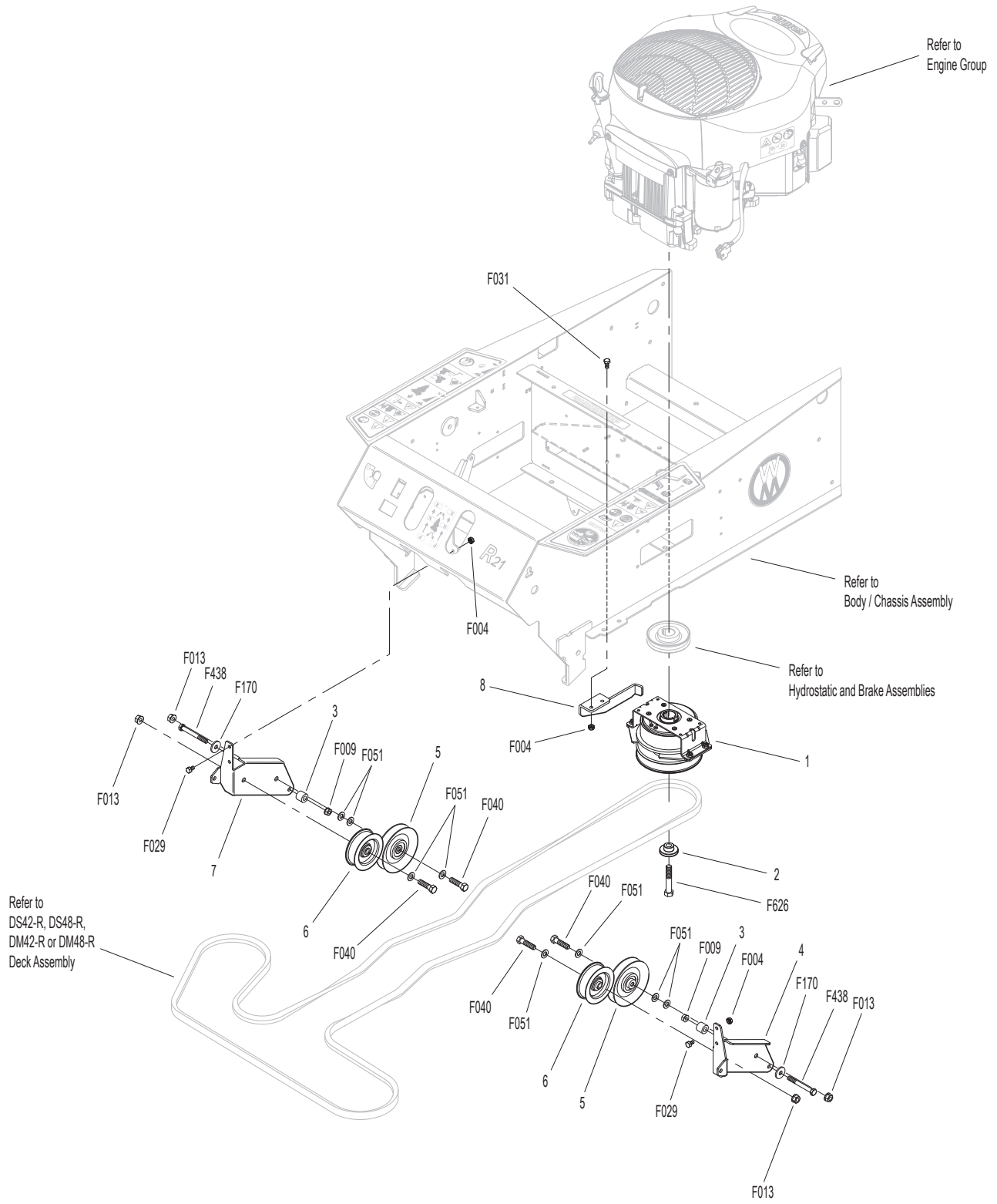
ITEM NO.	PART NO.	DESCRIPTION	NO. REQ'D	ITEM NO.	PART NO.	DESCRIPTION	NO. REQ'D
<b>Seat Assembly</b>				<b>Deck Support Arm &amp; Hitch Assemblies</b>			
1	5103-3	Seat W/Switch	1	27	1431-1	Deck Support Arm, LH	1
2	7440-5	Shock Mount (1-1/4 x 3/4)	4	28	5840-3	Deck Arm Washer	2
3	5103-11	Seat Pan	1	29	7364-5	Torsion Spring, LH	1
4	4504-1	Hinge (13-1/2")	1	30	1431-3	Deck Arm Latch, LH	1
<b>Body Assembly</b>				31	1431-2	Deck Support Arm, RH	1
5	7845-1	Rubber Bumper (1.375 x .750)	2	32	1431-4	Deck Arm Latch, RH	1
6	1300-10	Solenoid Guard	1	33	7364-4	Torsion Spring, RH	1
7	1300-5	Hydro Fan Cover, LH	1	<b>Fasteners</b>			
8	1910	Battery Mount Plate	1	F002	10-24 Keps Nut		7
9	1406-1	Parking Brake Bracket	1	F004	1/4-20 Keps Nut		17
10	5180	Edge Molding, Lever Opening	2	F009	5/16-18 Whiz Locknut		16
11	1300-40	Chassis Frame	1	F016	1/2-13 Self-Locking Nut		1
12	1300-2	Hydro Fan Cover, RH	1	F025	10-24 x 3/8 PPHMS		7
13	1046	Gas Tank Mount	1	F029	1/4-20 x 1/2 Hex Bolt		10
14	7222	Extension Spring (1/4 x 3)	1	F108	3/8-16 x 2 Hex Bolt		2
15	1383	Seat Latch	1	F179	1/4-20 x 1 Hex Bolt		1
16	5847	Plastic Tip	1	F182	1/4 x 5/8 x 1/8 Washer		2
17	5145-4	Gas Spring Assembly	1	F194	7/16 x 1-1/4 x 1/8 Washer		2
<b>Rear Chassis Assembly</b>				F226	5/16-18 x 7/8 Hex Bolt		6
18	1013-4	Muffler Guard	1	F292	1/2-13 x 8-1/2 Hex Bolt, Grade 5		1
19	5267-1	Retainer Collar (1") (Includes Item # F413)	1	F333	1/4-20 x 3/4 PTHMS		6
20	5270-1	Ball Bearing	2	F350	1/4-20 LP Nylock		2
21	1300-41	Rear Chassis	1	F413	5/16-24 x 5/16 Set Screw		2
22	5420-3	Tail Wheel Fork	1	F477	1/4-20 x 5/8 Carriage Bolt		2
23	8769-12	Bearing Cup (1/2 ID)	2	F570	3/8-16 Flange Top Lock Nut		2
24	5037-1	Bearing, Tail Wheel	2	F621	7/16-20 Flange Top Lock Nut		2
25	5035	Tail Wheel & Tire Assembly (13 x 6.50-6)	1	F632	7/16-20 x 1-1/2 Hex Bolt		2
	5035-1	Tail Wheel Tire (13 x 6.50-6)	*	F637	Washer .835 x .505 x .125		2
	5036	Tail Wheel & Hub (6 x 4.5)	*	* Service Part Only			
26	5038-1	Axle Spacer Tube (6-5/8)	1				



# MAIN COMPONENT POWER TRANSMISSION

ITEM NO.	PART NO.	DESCRIPTION	NO. REQ'D	ITEM NO.	PART NO.	DESCRIPTION	NO. REQ'D
<b>PTO Drive Assembly</b>				<b>Fasteners</b>			
1	1410	Clutch	1	F004		1/4-20 Keps Nut	6
2	1410-2	Clutch Step Washer	1	F009		5/16-18 Whiz Locknut	2
3	1010-2	Spacer (.750 x .375 x .625)	2	F013		3/8-16 Whiz Locknut	4
4	1300-3	Twin Idler Mount, LH	1	F029		1/4-20 x 1/2 Hex Bolt	4
5	5247-2	V-Groove Idler (4")	2	F031		1/4-20 x 5/8 Hex Bolt	2
6	5245-2	Idler Pulley (3-1/4)	2	F040		3/8-16 x 1-1/2 Hex Bolt	4
7	1300-4	Twin Idler Mount, RH	1	F051		3/8 SAE Washer	8
8	1410-1	Clutch Stop	1	F170		5/16 x 1 x 7/64 Flat Washer (Zinc Plate)	2
				F438		5/16-18 x 2-3/4 Hex Bolt	2
				F626		7/16-20 x 2-1/2 Hex Bolt Grade 8	1

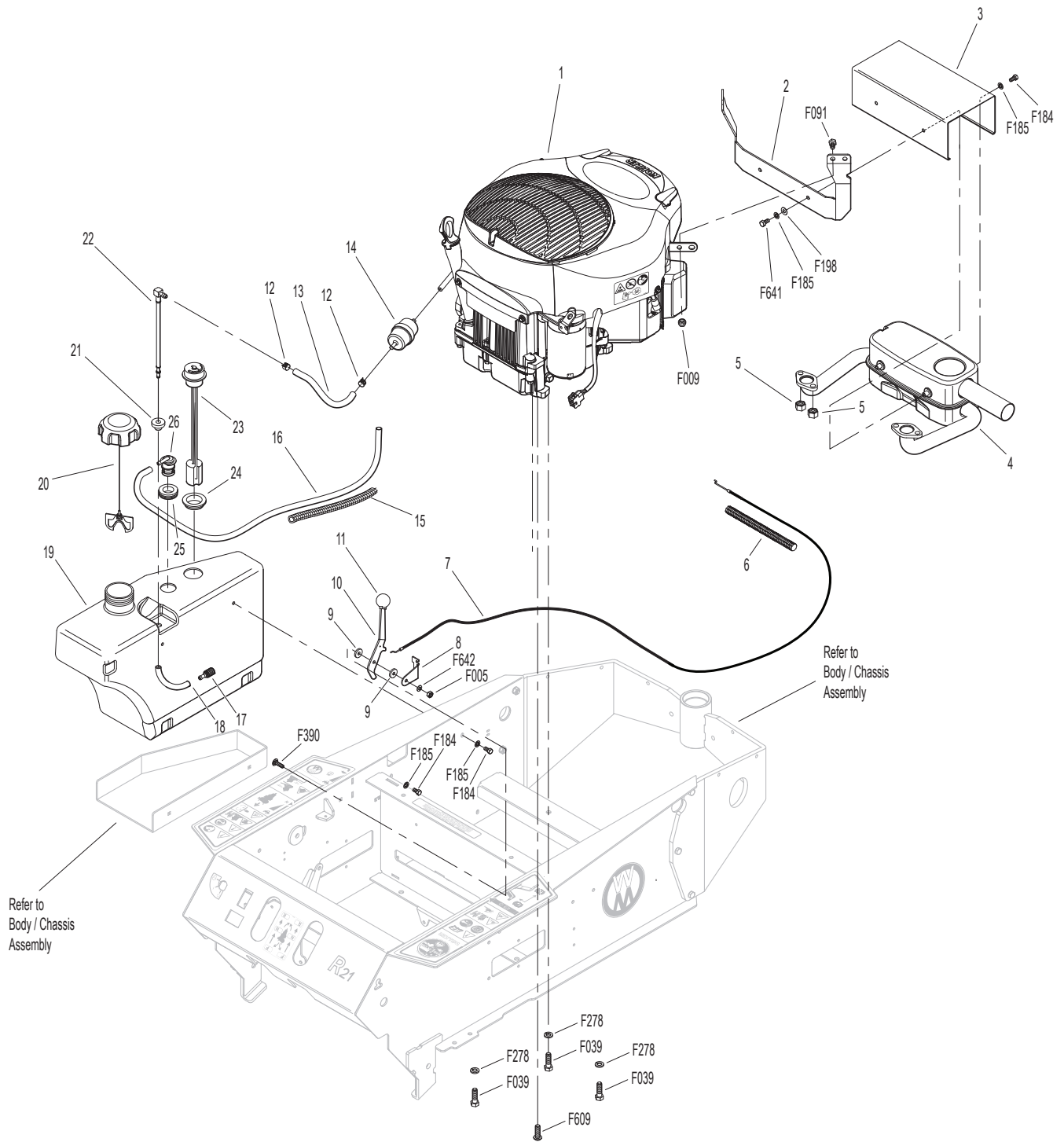
# MAIN COMPONENT POWER TRANSMISSION



# ENGINE GROUP

ITEM NO.	PART NO.	DESCRIPTION	NO. REQ'D	ITEM NO.	PART NO.	DESCRIPTION	NO. REQ'D
<b>Engine Assembly</b>				<b>Fasteners</b>			
1	NS	21 HP Engine (Kohler)	1	F005		1/4-20 ESNA Nut	1
2	1013-3	Muffler Brace	1	F009		5/16-18 Whiz Locknut	4
3	1013-2	Muffler Heat Shield	1	F039		3/8-16 x 1-1/4 Hex Bolt	3
4	1013	Muffler	1	F091		5/16-18 x 5/8 Hex Bolt	4
5	NS	Nut (Kohler)	4	F184		1/4-20 x 1/2 Hex Bolt, SS	4
<b>Throttle Assembly</b>				F185		1/4 Internal Star Lock Washer, SS	6
6	M265	Insultherm (3/8 x 10)	1	F198		.250 x .625 x .040 Washer, SS	2
7	1108-1	Throttle Cable (45")	1	F278		3/8 Split Lock Washer	3
8	5108-21	Control Bracket	1	F390		1/4-20 x 7/8 Carriage Bolt	1
9	5108-10	Friction Washer (.125)	2	F609		3/8-16 x 1-1/4 Button Head Cap Screw	1
10	5108-20	Control Lever, Throttle	1	F641		1/4-20 x 5/8 Hex Bolt, SS	2
11	5108-5	Throttle Control Knob, Red	1	F642		1/4 x .042 Belleville Washer	1
<b>Fuel Tank Assembly</b>				* <b>Required hose specifications:</b>			
12	5879-3	Hose Clamp (1/2)	2	M113 - 3/16" ID fuel/oil/vapor hose (Gates 4219-0093 or equivalent)			
13	M246	Fuel Line (1/4 x 6")	1*	M246 - 1/4" ID low permeation (<15g/m <sup>2</sup> /day) fuel hose (Parker 38904 or equivalent)			
14	5020-3	Fuel Filter	1				
15	M265	Insultherm (3/8 x 12)	1				
16	M113	Fuel Line (3/16 x 31")	1*				
17	5020-2	Fuel Filter, In Tank	1				
18	5086-7	Hose (1/4 x 6)	1				
19	6045-10	Fuel Tank, 3.0 Gallon (Includes Items # 17, 18 & 22-26)	1				
20	5082-4	2-1/4 Ratchet Fuel Cap (EPA)	1				
21	5083-1	Bushing, Rubber (Fits 5083)	1				
22	5083-7	Tank Tube (8-1/2")	1				
23	6045-1	Fuel Tank Gauge	1				
24	6045-2	Fuel Tank Gauge Grommet	1				
25	5977-7	Roll Over Grommet (.900 x 1-1/2)	1				
26	8043-8	Roll Over Valve	1				

# ENGINE GROUP



Beginning S/N 160824  
 Use only genuine **Walker**® replacement parts.



# HYDROSTATIC AND BRAKE ASSEMBLIES

ITEM NO.	PART NO.	DESCRIPTION	NO. REQ'D	ITEM NO.	PART NO.	DESCRIPTION	NO. REQ'D
<b>Ground Drive Assemblies</b>				<b>Wheel Assembly</b>			
1	5103-2	Pivot Bushing (5/16 ID)	3	20	5075-3	LP Wheel & Tire Assembly (18 x 8.50-10)	2
2	1250	Drive Belt	1		5075-2	LP Tire (18 x 8.50-10)	*
3	6240-24	Engine Pulley (3-1/2/A)	1		5075-5	LP Wheel (10 x 7)	*
4	5025-24	Hydro-Gear EZT-2200, LH	1	<b>Fasteners</b>			
5	2028-5	Lockout Arm, LH	1	F005	1/4-20 ESNA Nut		1
6	4407-4	Bow Tie Cotter Pin	3	F009	5/16-18 Whiz Locknut		7
7	5026-24	Hydro-Gear EZT-2200, RH	1	F013	3/8-16 Whiz Locknut		5
8	2028-6	Lockout Arm, RH	1	F015	1/2-20 Wheel Lug Nut		8
9	5221	Extension Spring (3/4 x 4)	1	F040	3/8-16 x 1-1/2 Hex Bolt		1
10	1300-6	Ground Drive Idler Arm	1	F042	3/8-16 x 2-1/4 Hex Bolt		4
11	5245	Idler Pulley (3")	1	F049	5/16 SAE Washer		7
<b>Parking Brake Assembly</b>				F051	3/8 SAE Washer		1
12	1406	Parking Brake Arm	1	F066	1/4 x 1/4 x 3/4 Key		1
13	5850-2	Handle Grip, Foam (5-1/2)	1	F072	1/4 "E" Retainer Ring		2
14	7410-1	Brake Control Cable, RH (36.5")	1	F182	1/4 x 5/8 x 1/8 Washer		2
15	7523-3	Clevis Pin W/Hole (1/4 x 1/2)	1	F235	5/16-18 x 2-1/2 Hex Bolt		4
16	1406-2	Parking Brake Clevis	2	F275	5/16-18 x 2 Hex Bolt		1
17	7222	Extension Spring (1/4 x 3)	1	F383	1/4-20 x 2 Shear Bolt, Grade 2		1
18	7409-1	Brake Control Cable, LH (31")	1	F623	5/16-18 x 3-3/4 Hex Bolt		1
19	1406-3	Parking Brake Knuckle	1	F627	1/4-28 Nylock Jam Nut		2

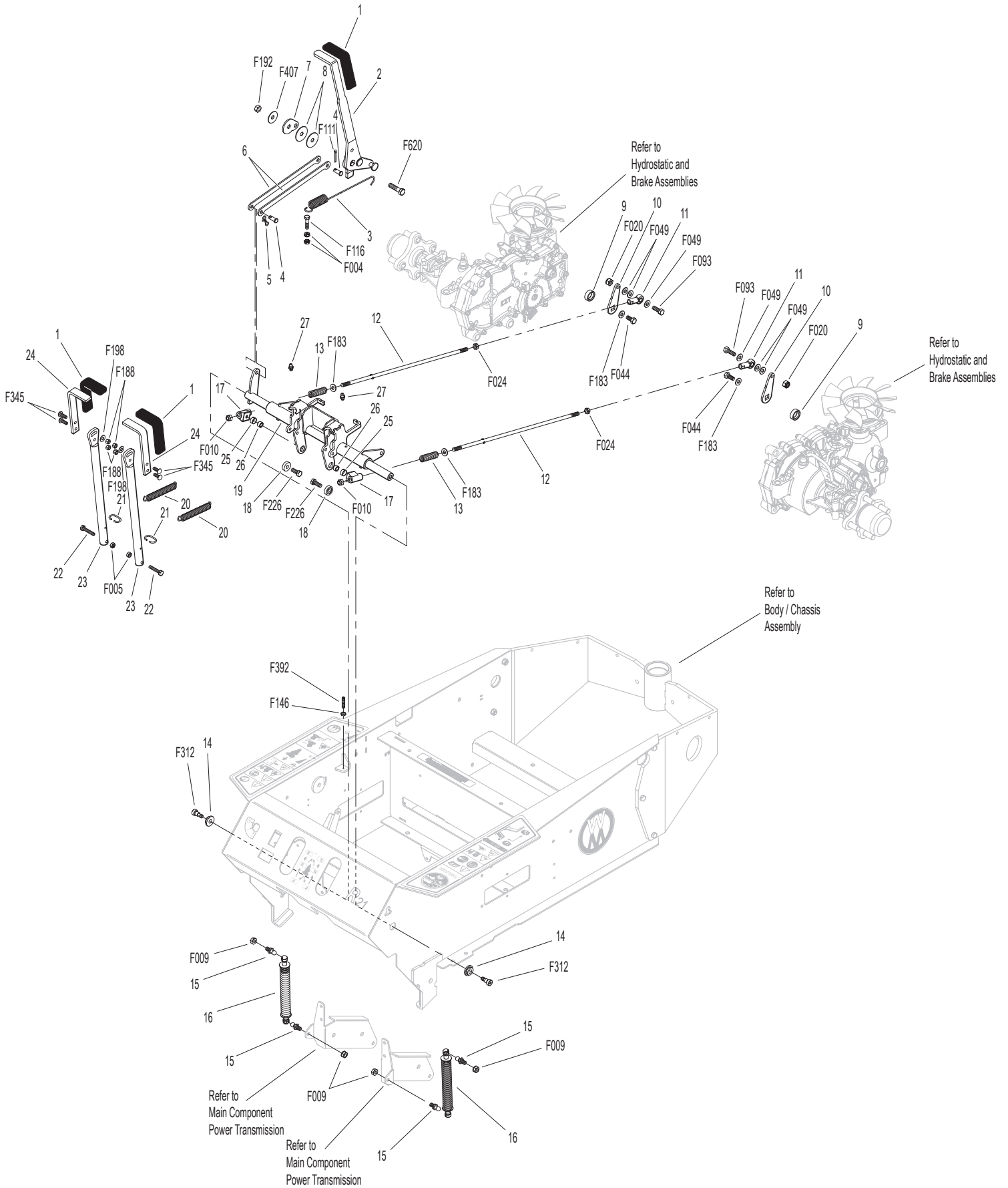
\* Service Part Only



# STEERING CONTROL ASSEMBLIES

ITEM NO.	PART NO.	DESCRIPTION	NO. REQ'D	ITEM NO.	PART NO.	DESCRIPTION	NO. REQ'D
<b>Forward Speed Control Assemblies</b>				<b>Fasteners</b>			
1	5850-2	Handle Grip, Foam (5-1/2)	3	F004	1/4-20 Keps Nut		2
2	1170-27	FSC Lever Weldment	1	F005	1/4-20 ESNA Nut		2
3	4219-1	Extension Spring	1	F009	5/16-18 Whiz Locknut		4
4	8655-4	Clevis Pin (5/16 x 3/4)	2	F010	5/16-24 ESNA Nut		2
5	4407-4	Bow Tie Cotter Pin	1	F020	5/16-18 ESNA Nut		2
6	1170-1	FSC Link	2	F024	5/16-24 Jam Nut		2
7	4142-1	FSC Cam	1	F044	5/16-24 x 3/4 Hex Bolt		2
8	5141	FSC Friction Washer (1-1/2 x 3/8 x 1/16)	2	F049	5/16 SAE Washer		6
<b>Steering Lever Assemblies</b>				F093	5/16-18 x 1 Hex Bolt		2
9	2212-3	Seal Retainer	2	F111	1/8 x 3/4 Cotter Pin		1
10	1212-4	Transmission Control Arm	2	F116	1/4-20 x 1-1/4 Hex Bolt		1
11	5214-4	Ball Joint (5/16-24) W/O Stud	2	F146	1/4-20 Jam Nut		1
12	5213-5	Control Rod (17")	2	F183	.312 x .700 x .074 Washer		4
13	5665-1	Compression Spring (2-1/2)	2	F188	1/4-20 Self-Locking Nut		4
14	9704-3	Pivot Rod Bushing, Plastic	2	F192	3/8-24 Self-Locking Nut		1
15	5146	10mm Ball Stud	4	F198	.250 x .625 x .040 Washer, SS		2
16	4199-3	Steering Lever Dampener Assembly	2	F226	5/16-18 x 7/8 Hex Bolt		2
17	5463-4	Steering Lever Actuator	2	F312	3/8 x 3/8 Shoulder Bolt		2
18	5463-6	Washer 5/16 x 3/4 x .250	2	F345	1/4-20 x .770 Knurled Bolt		4
19	1451-40	Steering Assembly	1	F392	1/4-20 x 1 Set Screw, SS Cup Point		1
20	5222	Extension Spring (1/2 x 3-1/4)	2	F407	Belleville Washer 3/8 x 1.187, SS		1
21	5450	D-Clip	2	F620	3/8-24 x 1-1/2 Hex Bolt		1
22	4452-6	Steering Pivot (1/4-20 x 1-5/8)	2				
23	1452	Steering Lever Tube W/Tab	2				
24	5453-10	Steering Lever Handle, Adjustable (Includes Items # 1 & F345)	2				
25	7201-2	Fiberglide Bearing 1/2"	2				
26	5463-5	Steering Arm Pivot Bushing (SS)	2				
27	5830	Grease Fitting	2				

# STEERING CONTROL ASSEMBLIES

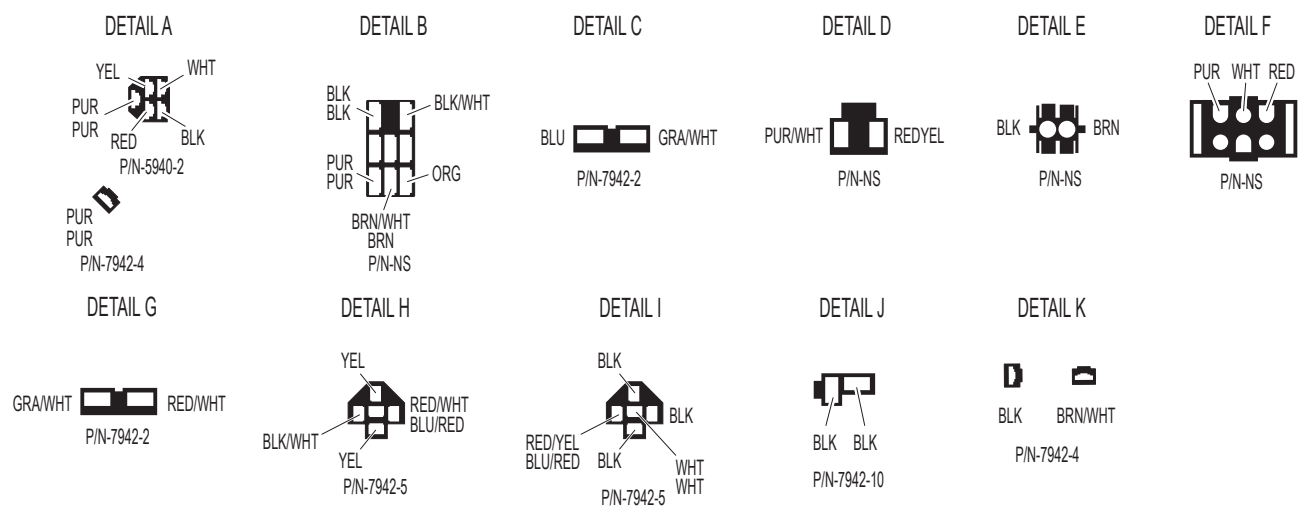
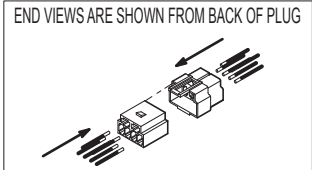
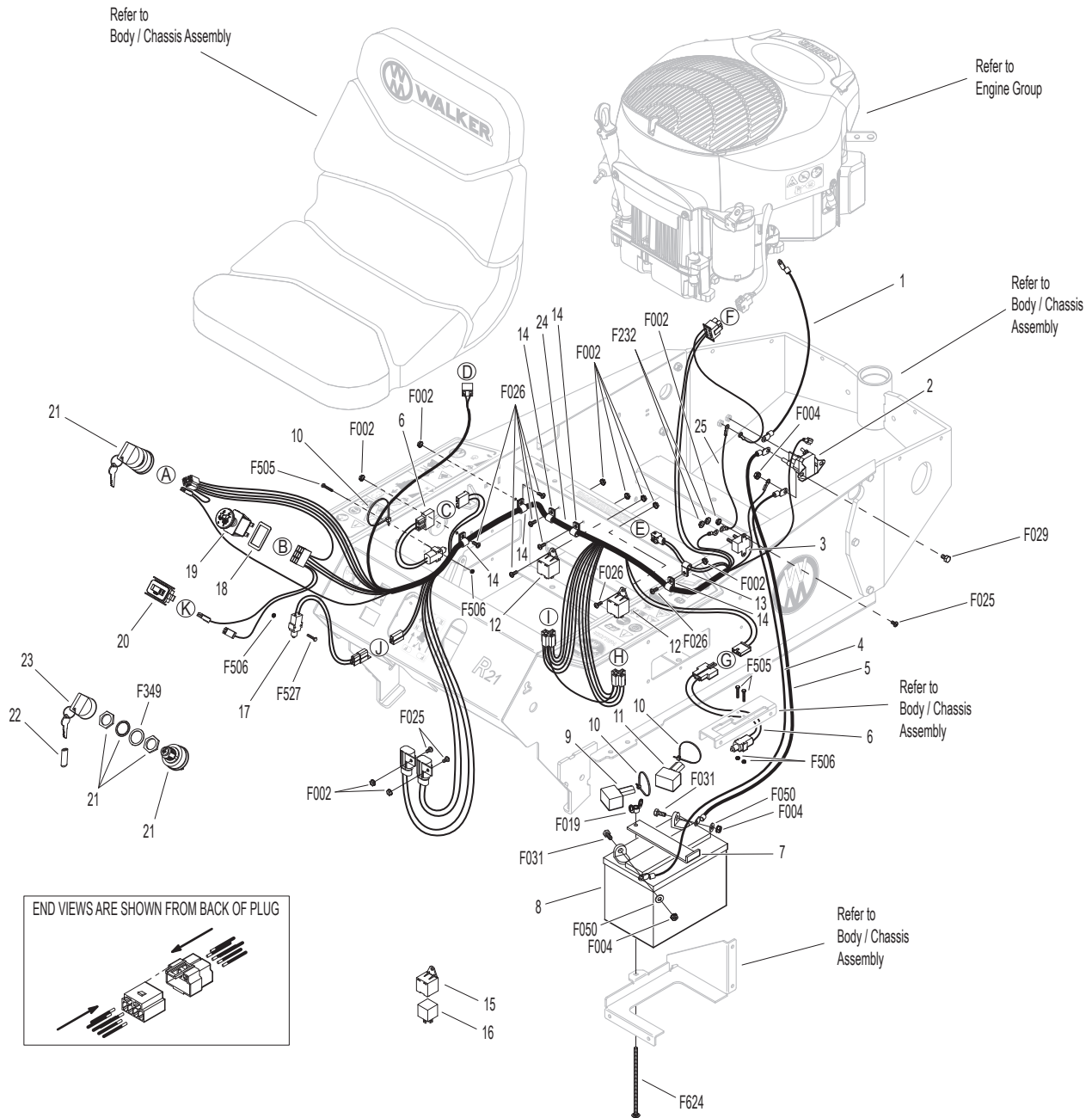


Beginning S/N 160824  
 Use only genuine **Walker®** replacement parts.

# ELECTRICAL ASSEMBLY

ITEM NO.	PART NO.	DESCRIPTION	NO. REQ'D	ITEM NO.	PART NO.	DESCRIPTION	NO. REQ'D
<b>Electrical Assembly</b>				<b>Fasteners</b>			
1	6940-18	Jumper Wire	1	F002		10-24 Keps Nut	11
2	5929	Starter Solenoid	1	F004		1/4-20 Keps Nut	4
3	8941	Circuit Breaker (30 Amp) Auto Reset/Sealed	1	F019		1/4-20 ESNA Wing Nut	1
4	6940-21	Ground Wire	1	F025		10-24 x 3/8 PPHMS	4
5	6940-19	Jumper Wire	1	F026		10-24 x 1/2 PPHMS	7
6	5942-8	Safety Switch (NO), Delta Side Mount	2	F029		1/4-20 x 1/2 Hex Bolt	2
7	1910-1	Battery Hold Down	1	F031		1/4-20 x 5/8 Hex Bolt	2
8	NS	Battery (12V/300 CCA/Dry/SP-35)	1	F050		1/4 SAE Washer	2
9	5932	Battery Terminal Insulation Black (-)	1	F232		10-32 Keps Nut	2
10	5975-1	Cable Tie (18# x 3-3/4")	3	F349		Washer .835 ID 1.122 OD, SS	1
11	5933	Battery Terminal Insulation Red (+)	1	F505		6-32 x 7/8 Hex Trim MS, SS	4
12	6942	Relay Switch (20/40 Amp) NC	2	F506		6-32 Nylock Nut	6
13	5832	Cable Clamp (1/2) .203 Hole	1	F527		6-32 x 3/4 Hex Trim MS, SS	2
14	6833	Cable Clamp (9/16 x #10)	5	F624		1/4-20 x 6 Carriage Bolt	1
15	6941-7	Relay Mount	*	* Service Part Only			
16	6941-6	Relay Switch (20/40 Amp)	*				
17	5942-20	Safety Switch (NO)	1				
18	4950-10	PTO Switch Spacer	1				
19	4950	PTO Switch	1				
20	8990-1	Hourmeter (Global)	1				
21	8960-15	Ignition Switch W/Keys (Includes Items # 22, 23 & F349)	1				
22	7854	Plastic Tip, Red	1				
23	8960-3	Key Set W/Umbrella	1				
24	1940	Wire Harness	1				
25	4940-11	Jumper Wire	1				

# ELECTRICAL ASSEMBLY



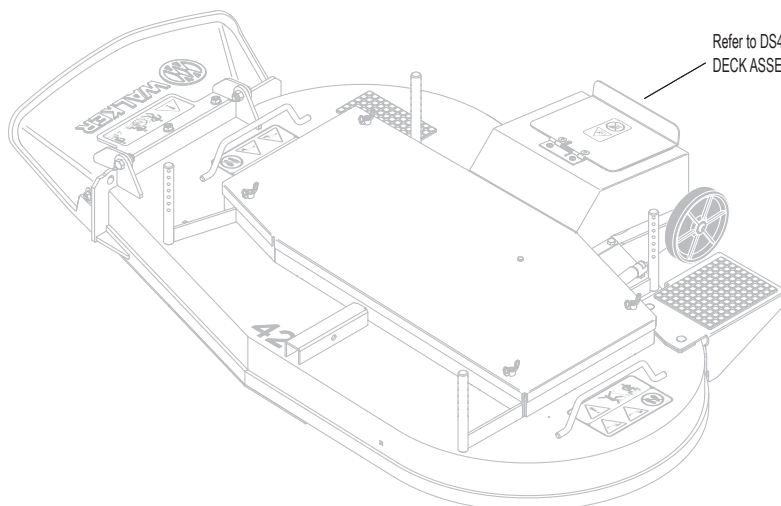
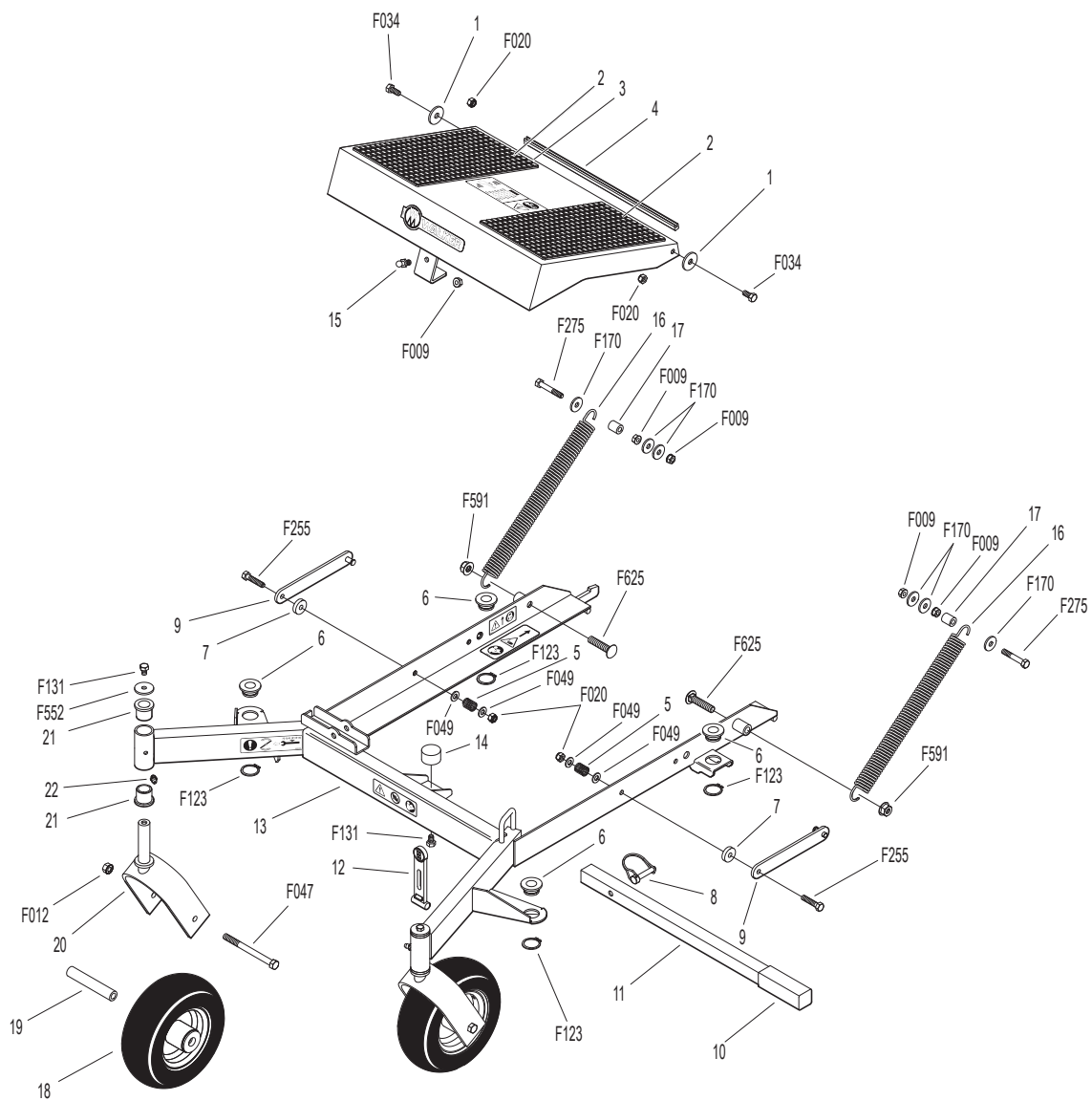
Beginning S/N 160824  
Use only genuine **Walker**® replacement parts.

# DS42-R COMPLETE CARRIER FRAME ASSEMBLY

ITEM NO.	PART NO.	DESCRIPTION	NO. REQ'D	ITEM NO.	PART NO.	DESCRIPTION	NO. REQ'D
<b>Carrier Frame Components</b>				<b>Fasteners</b>			
1	7846	Washer (3/8 x 1-1/4 x 1/8)	2	F009		5/16-18 Whiz Locknut	5
2	8786-9	Rubber Mat (6 x 12)	2	F012		3/8-16 Keps Nut	2
3	1662	Footrest (Includes Items # 2 & 4)	1	F020		5/16-18 ESNA Nut	4
4	M112	Edge Molding (13-7/8")	1	F034		5/16-18 x 3/4 Hex Bolt	2
5	5682	Compression Spring (9/16 x 3/4)	2	F047		3/8-16 x 4-1/2 Hex Bolt	2
6	5740-4	Deck Pin Bushing	4	F049		5/16 SAE Washer	4
7	1661-3	Tilt Up Link Spacer	2	F123		1" External Snap Ring	4
8	7775-5	Lock Pin (5/16 x 1-5/8)	1	F131		5/16-18 x 1/2 Hex Bolt	1
9	1661-2	Tilt Up Link	2	F170		5/16 x 1 x 7/64 Flat Washer (Zinc Plate)	6
10	5850-5	Handle Grip (1 x 1 x 3-3/4)	1	F255		5/16-18 x 1-1/2 Hex Bolt	2
11	6811-3	Tilt Bar With Grip (20") (Includes Item # 10)	1	F275		5/16-18 x 2 Hex Bolt	2
12	1662-1	Tie Down Strap	1	F552		Washer 1.250 x .314 x .125	2
13	1660	DS42-R Carrier Frame	1	F591		7/16-14 Flange Top Lock Nut	2
14	8845-1	Rubber Bumper (1-1/4 x 3/4)	1	F625		7/16-14 x 2 Carriage Bolt	2
15	5146	10mm Ball Stud	1				
<b>Spring and Pivot Mount Components</b>							
16	5743-15	Extension Spring (1 x 9)	2				
17	5743-16	Spacer (5/16 x 1-1/2)	2				
<b>Caster Wheel Components</b>							
18	5715-20	Caster Wheel, Hollowmatic (8 x 3.00-4)	2				
19	5714-3	Axle Spacer Tube	2				
20	1770	Caster Wheel Fork	2				
21	5683-2	Pivot Bearing (.750 x 1.0)	4				
22	5830	Grease Fitting	2				



# DS42-R COMPLETE CARRIER FRAME ASSEMBLY



Beginning S/N 160824  
Use only genuine **Walker**® replacement parts.

# DS42-R DECK ASSEMBLY

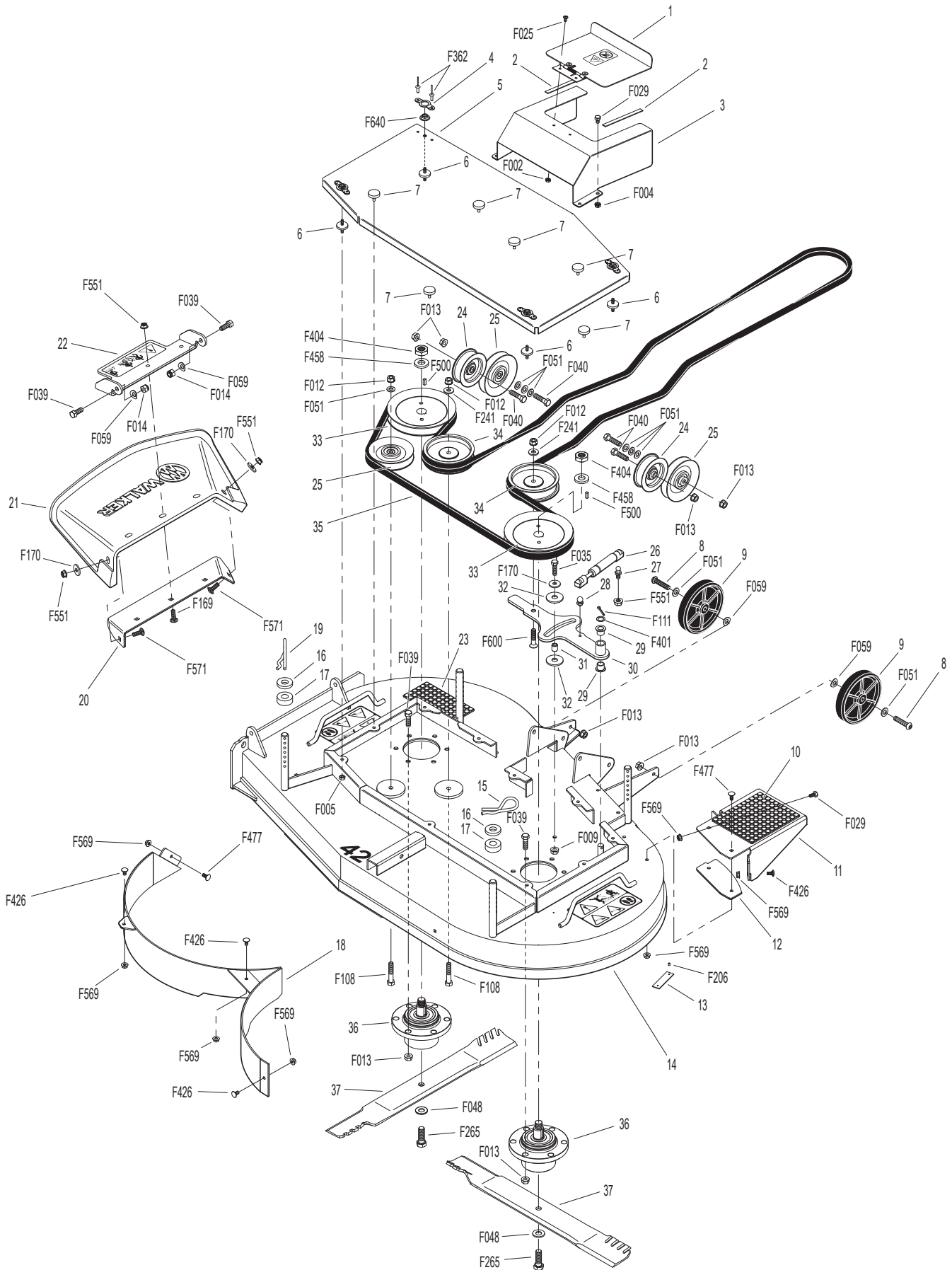
ITEM NO.	PART NO.	DESCRIPTION	NO. REQ'D	ITEM NO.	PART NO.	DESCRIPTION	NO. REQ'D
<b>Deck Housing Components</b>				<b>Fasteners</b>			
1	1620-1	Belt Drive Cover	1	F002		10-24 Keps Nut	2
2	8790	Rubber Cushion Strip	2	F004		1/4-20 Keps Nut	4
3	1619-1	Drive Belt Guard	1	F005		1/4-20 ESNA Nut	9
4	1703-1	Deck Belt Cover	1	F009		5/16-18 Whiz Locknut	1
5	7307-9	Pull Through Bumper	6	F012		3/8-16 Keps Nut	3
6	7307-1	Shock Mount (1.0 x .25) Double Stud	4	F013		3/8-16 Whiz Locknut	18
7	8490	Roller Wheel Axle Bolt	2	F014		3/8-16 ESNA Nut	2
8	5162-12	Roller Wheel (5" Poly) (Includes Items # 7, F013 & F059)	2	F019		1/4-20 ESNA Wing Nut	4
9	8735-10	Rubber Mat (5 x 6)	1	F025		10-24 x 3/8 PPHMS	2
10	1703-13	Deck Step, DS42-R (Includes Item # 9)	1	F029		1/4-20 x 1/2 Hex Bolt	4
11	1703-12	Spacer Plate	1	F035		5/16-18 x 1-1/4 Hex Bolt	1
12	NS	Deck Serial Number Plate	1	F039		3/8-16 x 1-1/4 Hex Bolt	14
13	1703	DS42-R Deck Housing (Includes Item # 21)	1	F040		3/8-16 x 1-1/2 Hex Bolt	4
14	7775-1	Hitch Pin, LH (Silver) #6	2	F048		1/2 SAE Washer	2
15	5727-1	Washer Shim (5/8 ID)	4	F051		3/8 SAE Washer	9
16	7434-1	Washer 1-3/8 x 5/8-1/2 Thick	4	F059		3/8 Wave Spring Washer	4
17	7775-2	Hitch Pin, RH (Gold) #6	2	F108		3/8-16 x 2 Hex Bolt	2
18	1709-5	Backup Plate	1	F111		1/8 x 3/4 Cotter Pin	1
19	1709-3	Rubber Shield	1	F169		5/16-18 x 1 Carriage Bolt	3
20	1709-6	Discharge Shield Frame	1	F170		5/16 x 1 x 7/64 Flat Washer (Zinc Plate)	3
21	5747-10	Rubber Mat, No-Hole (3 x 6)	1	F206		#2 x 3/16 Drive Pin	2
<b>Blade Drive Components</b>				F241		.375 x .875 x .10 Washer	2
22	5245-2	Idler Pulley (3-1/4)	2	F265		1/2-20 x 1-1/2 Hex Bolt	2
23	5247-2	V-Groove Idler (4")	3	F401		.504 x .751 x .030 Washer	1
24	8762-1	Dampening Spring, Gas	1	F404		5/8-18 Jam Nut	2
25	5146	10mm Ball Stud	1	F426		1/4-20 x 1/2 Carriage Bolt	1
26	5155-12	5/16 Ball Stud	1	F458		Washer 1-1/4 x 5/8 x 3/16	2
27	7620-3	Pivot Bushing (1/2 x 9/16)	2	F477		1/4-20 x 5/8 Carriage Bolt	2
28	1703-3	Idler Arm, R42	1	F500		3/16 x 3/16 x 9/16 Key	2
29	1701-8	Bushing Sleeve	1	F551		5/16-18 Flange Top Lock Nut	6
30	1701-2	Washer 1.5 x .5 x .125	2	F569		1/4-20 Flange Top Lock Nut	4
31	6240-25	Spindle Pulley (6")	2	F571		5/16-18 x 7/8 Carriage Bolt	2
32	7245-2	Idler Pulley	2	F600		3/8-16 x 1-3/4 FHA Screw (Zinc)	1
33	1731-1	Blade Drive Belt, MR 42	1				
<b>Blade Spindle Components</b>							
34	8052-5	Blade Spindle	2				
35	7705-31	Blade 21-3/8"	2				



# DM42-R DECK ASSEMBLY

ITEM NO.	PART NO.	DESCRIPTION	NO. REQ'D	ITEM NO.	PART NO.	DESCRIPTION	NO. REQ'D
<b>Deck Housing Components</b>				<b>Fasteners</b>			
1	1620-1	Belt Drive Cover	1	F002		10-24 Keps Nut	2
2	8790	Rubber Cushion Strip	2	F004		1/4-20 Keps Nut	4
3	1619-1	Drive Belt Guard	1	F005		1/4-20 ESNA Nut	9
4	1701-58	Retaining Tab	4	F009		5/16-18 Whiz Locknut	1
5	1703-14	Deck Belt Cover (Includes Items # 4, F362 & F640)	1	F012		3/8-16 Keps Nut	3
6	7307-1	Shock Mount (1.0 x .25) Double Stud	4	F013		3/8-16 Whiz Locknut	18
7	7307-9	Pull Through Bumper	6	F014		3/8-16 ESNA Nut	2
8	8490	Roller Wheel Axle Bolt	2	F025		10-24 x 3/8 PPHMS	2
9	5162-12	Roller Wheel (5" Poly) (Includes Items # 8, F013 & F059)	2	F029		1/4-20 x 1/2 Hex Bolt	5
10	8735-10	Rubber Mat (5 x 6)	1	F035		5/16-18 x 1-1/4 Hex Bolt	1
11	1703-13	Deck Step, DS42-R (Includes Item # 10)	1	F039		3/8-16 x 1-1/4 Hex Bolt	14
12	1703-12	Spacer Plate	1	F040		3/8-16 x 1-1/2 Hex Bolt	4
13	NS	Deck Serial Number Plate	1	F048		1/2 SAE Washer	2
14	1703	DS42-R Deck Housing (Includes Item # 23)	1	F051		3/8 SAE Washer	9
15	7775-1	Hitch Pin, LH (Silver) #6	2	F059		3/8 Wave Spring Washer	4
16	5727-1	Washer Shim (5/8 ID)	4	F108		3/8-16 x 2 Hex Bolt	2
17	7434-1	Washer 1-3/8 x 5/8-1/2 Thick	4	F111		1/8 x 3/4 Cotter Pin	1
18	1692	Mulch Baffle (Includes Items # F426, F477 & F569)	1	F169		5/16-18 x 1 Carriage Bolt	3
19	7775-2	Hitch Pin, RH (Gold) #6	2	F170		5/16 x 1 x 7/64 Flat Washer (Zinc Plate)	3
20	1709-5	Backup Plate	1	F206		#2 x 3/16 Drive Pin	2
21	1709-3	Rubber Shield	1	F241		.375 x .875 x .10 Washer	2
22	1709-6	Discharge Shield Frame	1	F265		1/2-20 x 1-1/2 Hex Bolt	2
23	5747-10	Rubber Mat, No-Hole (3 x 6)	1	F362		A/A62D Alum. Pop Rivet (3/16 D x 13/32 L)	8
<b>Blade Drive Components</b>				<b>Fasteners</b>			
24	5245-2	Idler Pulley (3-1/4)	2	F401		.504 x .751 x .030 Washer	1
25	5247-2	V-Groove Idler (4")	3	F404		5/8-18 Jam Nut	2
26	8762-1	Dampening Spring, Gas	1	F426		1/4-20 x 1/2 Carriage Bolt	4
27	5146	10mm Ball Stud	1	F458		Washer 1-1/4 x 5/8 x 3/16	2
28	5155-12	5/16 Ball Stud	1	F477		1/4-20 x 5/8 Carriage Bolt	3
29	7620-3	Pivot Bushing (1/2 x 9/16)	2	F500		3/16 x 3/16 x 9/16 Key	2
30	1703-3	Idler Arm, R42	1	F551		5/16-18 Flange Top Lock Nut	6
31	1701-8	Bushing Sleeve	1	F569		1/4-20 Flange Top Lock Nut	8
32	1701-2	Washer 1.5 x .5 x .125	2	F571		5/16-18 x 7/8 Carriage Bolt	2
33	6240-25	Spindle Pulley (6")	2	F600		3/8-16 x 1-3/4 FHA Screw (Zinc)	1
34	7245-2	Idler Pulley	2	F640		1/4-20, 7/8 Washer Free Spinning Nut	4
35	1731-1	Blade Drive Belt, MR 42	1				
<b>Blade Spindle Components</b>							
36	8052-5	Blade Spindle	2				
37	7705-36	Blade 21-3/8", Mulch	2				

# DM42-R DECK ASSEMBLY

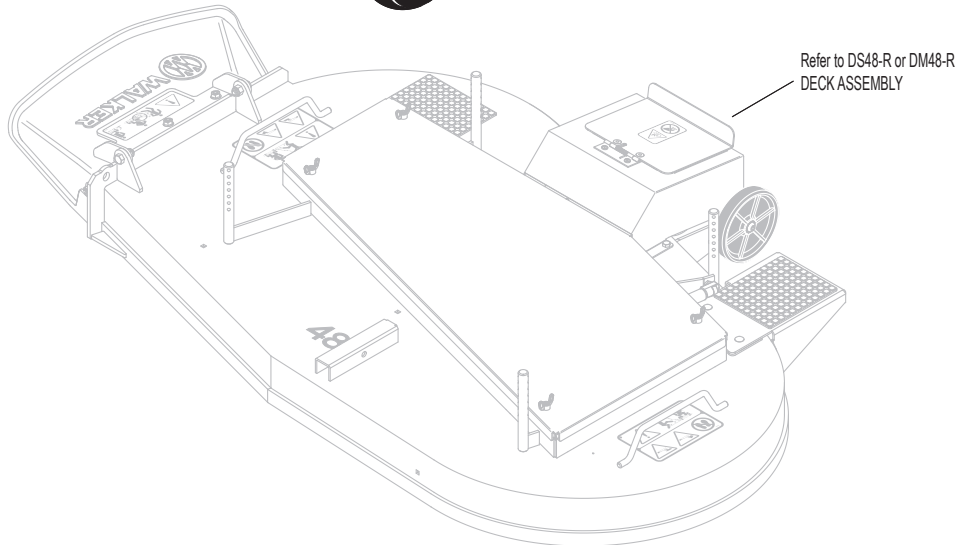
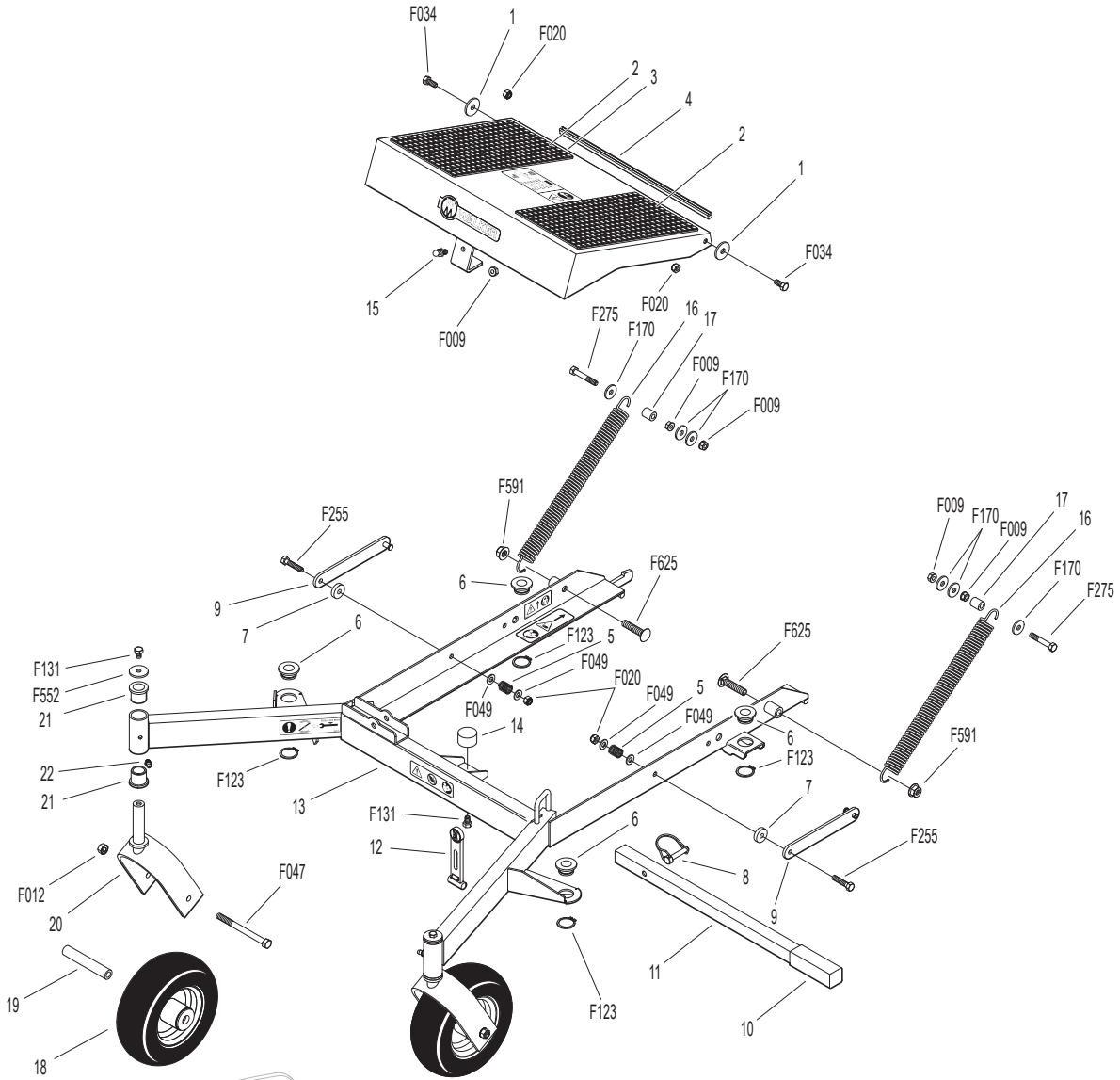


Beginning S/N 160824  
 Use only genuine **Walker®** replacement parts.

# DS48-R COMPLETE CARRIER FRAME ASSEMBLY

ITEM NO.	PART NO.	DESCRIPTION	NO. REQ'D	ITEM NO.	PART NO.	DESCRIPTION	NO. REQ'D
<b>Carrier Frame Components</b>				<b>Fasteners</b>			
1	7846	Washer (3/8 x 1-1/4 x 1/8)	2	F009		5/16-18 Whiz Locknut	5
2	8786-9	Rubber Mat (6 x 12)	2	F012		3/8-16 Keps Nut	2
3	1662	Footrest (Includes Items # 2 & 4)	1	F020		5/16-18 ESNA Nut	4
4	M112	Edge Molding (13-7/8")	1	F034		5/16-18 x 3/4 Hex Bolt	2
5	5682	Compression Spring (9/16 x 3/4)	2	F047		3/8-16 x 4-1/2 Hex Bolt	2
6	5740-4	Deck Pin Bushing	4	F049		5/16 SAE Washer	4
7	1661-3	Tilt Up Link Spacer	2	F123		1" External Snap Ring	4
8	7775-5	Lock Pin (5/16 x 1-5/8)	1	F131		5/16-18 x 1/2 Hex Bolt	3
9	1661-2	Tilt Up Link	2	F170		5/16 x 1 x 7/64 Flat Washer (Zinc Plate)	6
10	5850-5	Handle Grip (1 x 1 x 3-3/4)	1	F255		5/16-18 x 1-1/2 Hex Bolt	2
11	6811-3	Tilt Bar With Grip (20") (Includes Item # 10)	1	F275		5/16-18 x 2 Hex Bolt	2
12	1662-1	Tie Down Strap	1	F552		Washer 1.250 x .314 x .125	2
13	1661	DS48-R Carrier Frame (Includes Items # 21 & 22)	1	F591		7/16-14 Flange Top Lock Nut	2
14	8845-1	Rubber Bumper (1-1/4 x 3/4)	1	F625		7/16-14 x 2 Carriage Bolt	2
15	5146	10mm Ball Stud	1				
<b>Spring and Pivot Mount Components</b>							
16	5743-15	Extension Spring (1 x 9)	2				
17	5743-16	Spacer (5/16 x 1-1/2)	2				
<b>Caster Wheel Components</b>							
18	5715-20	Caster Wheel, Hollowmatic (8 x 3.00-4)	2				
19	5714-3	Axle Spacer Tube	2				
20	1770	Caster Wheel Fork	2				
21	5683-2	Pivot Bearing (.750 x 1.0)	4				
22	5830	Grease Fitting	2				

# DS48-R COMPLETE CARRIER FRAME ASSEMBLY

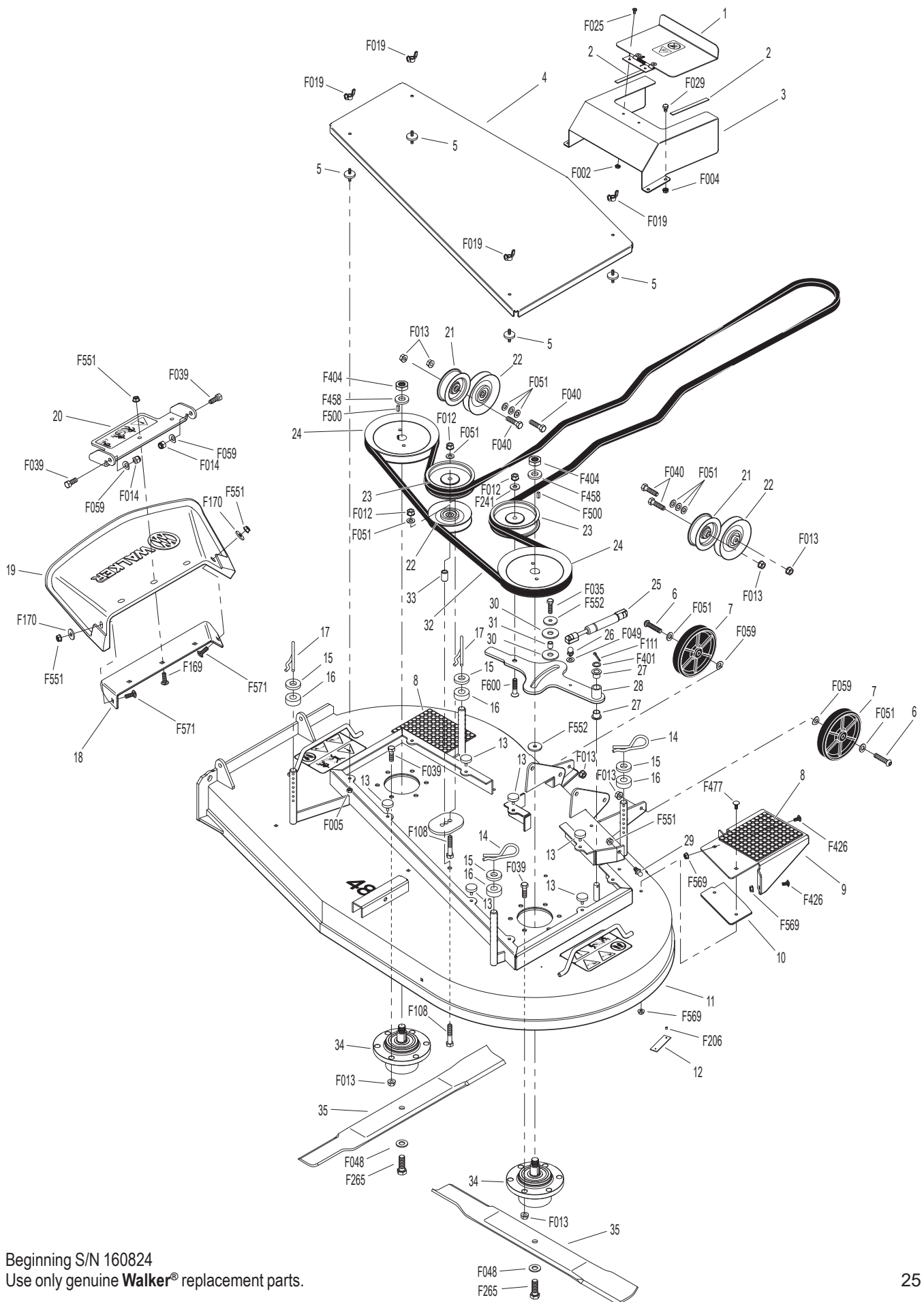




# DS48-R DECK ASSEMBLY

ITEM NO.	PART NO.	DESCRIPTION	NO. REQ'D	ITEM NO.	PART NO.	DESCRIPTION	NO. REQ'D
<b>Deck Housing Components</b>				<b>Fasteners</b>			
1	1620-1	Belt Drive Cover	1	F002		10-24 Keps Nut	2
2	8790	Rubber Cushion Strip	2	F004		1/4-20 Keps Nut	4
3	1619-2	Drive Belt Guard	1	F005		1/4-20 ESNA Nut	9
4	1701-1	Deck Belt Cover	1	F012		3/8-16 Keps Nut	3
5	7307-1	Shock Mount (1.0 x .25) Double Stud	4	F013		3/8-16 Whiz Locknut	18
6	8490	Roller Wheel Axle Bolt	2	F014		3/8-16 ESNA Nut	2
7	5162-12	Roller Wheel (5" Poly) (Includes Items # 6, F013 & F059)	2	F019		1/4-20 ESNA Wing Nut	4
8	8735-10	Rubber Mat (5 x 6)	2	F025		10-24 x 3/8 PPHMS	2
9	1701-13	Deck Step, DS48-R (Includes Item # 8)	1	F029		1/4-20 x 1/2 Hex Bolt	4
10	1701-12	Spacer Plate	1	F035		5/16-18 x 1-1/4 Hex Bolt	1
11	1701-9	DS48-R Deck Housing (Includes Item # 8)	1	F039		3/8-16 x 1-1/4 Hex Bolt	14
12	NS	Deck Serial Number Plate	1	F040		3/8-16 x 1-1/2 Hex Bolt	4
13	7307-9	Pull Through Bumper	6	F048		1/2 SAE Washer	2
14	7775-1	Hitch Pin, LH (Silver) #6	2	F049		5/16 SAE Washer	1
15	5727-1	Washer Shim (5/8 ID)	4	F051		3/8 SAE Washer	10
16	7434-1	Washer 1-3/8 x 5/8-1/2 Thick	4	F059		3/8 Wave Spring Washer	4
17	7775-2	Hitch Pin, RH (Gold) #6	2	F108		3/8-16 x 2 Hex Bolt	2
18	1709-5	Backup Plate	1	F111		1/8 x 3/4 Cotter Pin	1
19	1709-3	Rubber Shield	1	F169		5/16-18 x 1 Carriage Bolt	3
20	1709-6	Discharge Shield Frame	1	F170		5/16 x 1 x 7/64 Flat Washer (Zinc Plate)	2
<b>Blade Drive Components</b>				F206		#2 x 3/16 Drive Pin	2
21	5245-2	Idler Pulley (3-1/4)	2	F241		.375 x .875 x .10 Washer	1
22	5247-2	V-Groove Idler (4")	3	F265		1/2-20 x 1-1/2 Hex Bolt	2
23	7245-2	Idler Pulley	2	F401		.504 x .751 x .030 Washer	1
24	6240-23	Spindle Pulley (6-3/4/B)	2	F404		5/8-18 Jam Nut	2
25	8762-1	Dampening Spring, Gas	1	F426		1/4-20 x 1/2 Carriage Bolt	2
26	5155-12	5/16 Ball Stud	1	F458		Washer 1-1/4 x 5/8 x 3/16	2
27	7620-3	Pivot Bushing (1/2 x 9/16)	2	F477		1/4-20 x 5/8 Carriage Bolt	2
28	1701-3	Idler Arm, R48	1	F500		3/16 x 3/16 x 9/16 Key	2
29	5146	10mm Ball Stud	1	F551		5/16-18 Flange Top Lock Nut	6
30	1701-2	Washer 1.5 x .5 x .125	2	F552		Washer 1.25 x .314 x .125	2
31	1701-8	Bushing Sleeve	1	F569		1/4-20 Flange Top Lock Nut	4
32	1731	Blade Drive Belt, MR 48	1	F571		5/16-18 x 7/8 Carriage Bolt	2
33	6325-10	Bushing Spacer	1	F600		3/8-16 x 1-3/4 FHA Screw (Zinc)	1
<b>Blade Spindle Components</b>							
34	8052-5	Blade Spindle	2				
35	7705-29	Blade 24-3/8"	2				

# DS48-R DECK ASSEMBLY



Beginning S/N 160824  
 Use only genuine **Walker**® replacement parts.

# DM48-R DECK ASSEMBLY

ITEM NO.	PART NO.	DESCRIPTION	NO. REQ'D	ITEM NO.	PART NO.	DESCRIPTION	NO. REQ'D
<b>Deck Housing Components</b>				<b>Fasteners</b>			
1	1620-1	Belt Drive Cover	1	F002		10-24 Keps Nut	2
2	8790	Rubber Cushion Strip	2	F004		1/4-20 Keps Nut	4
3	1619-2	Drive Belt Guard	1	F005		1/4-20 ESNA Nut	12
4	1701-58	Retaining Tab	4	F012		3/8-16 Keps Nut	3
5	1701-14	Deck Belt Cover (Includes Items # 4, F362 & F640)	1	F013		3/8-16 Whiz Locknut	18
6	7307-1	Shock Mount (1.0 x .25) Double Stud	4	F014		3/8-16 ESNA Nut	2
7	8490	Roller Wheel Axle Bolt	2	F025		10-24 x 3/8 PPHMS	2
8	5162-12	Roller Wheel (5" Poly) (Includes Items # 7, F013 & F059)	2	F029		1/4-20 x 1/2 Hex Bolt	4
9	8735-10	Rubber Mat (5 x 6)	2	F035		5/16-18 x 1-1/4 Hex Bolt	1
10	1701-13	Deck Step, DS48-R (Includes Item # 9)	1	F039		3/8-16 x 1-1/4 Hex Bolt	14
11	1701-12	Spacer Plate	1	F040		3/8-16 x 1-1/2 Hex Bolt	4
12	1701-9	DS48-R Deck Housing (Includes Item # 9)	1	F048		1/2 SAE Washer	2
13	NS	Deck Serial Number Plate	1	F049		5/16 SAE Washer	1
14	7307-9	Pull Through Bumper	6	F051		3/8 SAE Washer	10
15	7775-1	Hitch Pin, LH (Silver) #6	2	F059		3/8 Wave Spring Washer	4
16	5727-1	Washer Shim (5/8 ID)	4	F108		3/8-16 x 2 Hex Bolt	2
17	7434-1	Washer 1-3/8 x 5/8-1/2 Thick	4	F111		1/8 x 3/4 Cotter Pin	1
18	1692-1	Mulch Baffle (Includes Items # F426, F477 & F569)	1	F169		5/16-18 x 1 Carriage Bolt	3
19	7775-2	Hitch Pin, RH (Gold) #6	2	F170		5/16 x 1 x 7/64 Flat Washer (Zinc Plate)	2
20	1709-5	Backup Plate	1	F206		#2 x 3/16 Drive Pin	2
21	1709-3	Rubber Shield	1	F241		.375 x .875 x .10 Washer	1
22	1709-6	Discharge Shield Frame	1	F265		1/2-20 x 1-1/2 Hex Bolt	2
<b>Blade Drive Components</b>				F362		A/A62D Alum. Pop Rivet (3/16 D x 13/32 L)	8
23	5245-2	Idler Pulley (3-1/4)	2	F401		.504 x .751 x .030 Washer	1
24	5247-2	V-Groove Idler (4")	3	F404		5/8-18 Jam Nut	2
25	7245-2	Idler Pulley	2	F426		1/4-20 x 1/2 Carriage Bolt	5
26	6240-23	Spindle Pulley (6-3/4/B)	2	F458		Washer 1-1/4 x 5/8 x 3/16	2
27	8762-1	Dampening Spring, Gas	1	F477		1/4-20 x 5/8 Carriage Bolt	3
28	5155-12	5/16 Ball Stud	1	F500		3/16 x 3/16 x 9/16 Key	2
29	7620-3	Pivot Bushing (1/2 x 9/16)	2	F551		5/16-18 Flange Top Lock Nut	6
30	1701-3	Idler Arm, R48	1	F552		Washer 1.25 x .314 x .125	2
31	5146	10mm Ball Stud	1	F569		1/4-20 Flange Top Lock Nut	8
32	1701-2	Washer 1.5 x .5 x .125	2	F571		5/16-18 x 7/8 Carriage Bolt	2
33	1701-8	Bushing Sleeve	1	F600		3/8-16 x 1-3/4 FHA Screw (Zinc)	1
34	1731	Blade Drive Belt, MR 48	1	F640		1/4-20, 7/8 Washer Free Spinning Nut	4
35	6325-10	Bushing Spacer	1				
<b>Blade Spindle Components</b>							
36	8052-5	Blade Spindle	2				
37	7705-37	Blade 24-3/8", Mulch	2				



# LUBRICATION POINTS

ITEM NO.	PART NO.	DESCRIPTION	NO. REQ'D
----------	----------	-------------	-----------

**Lubrication Points**

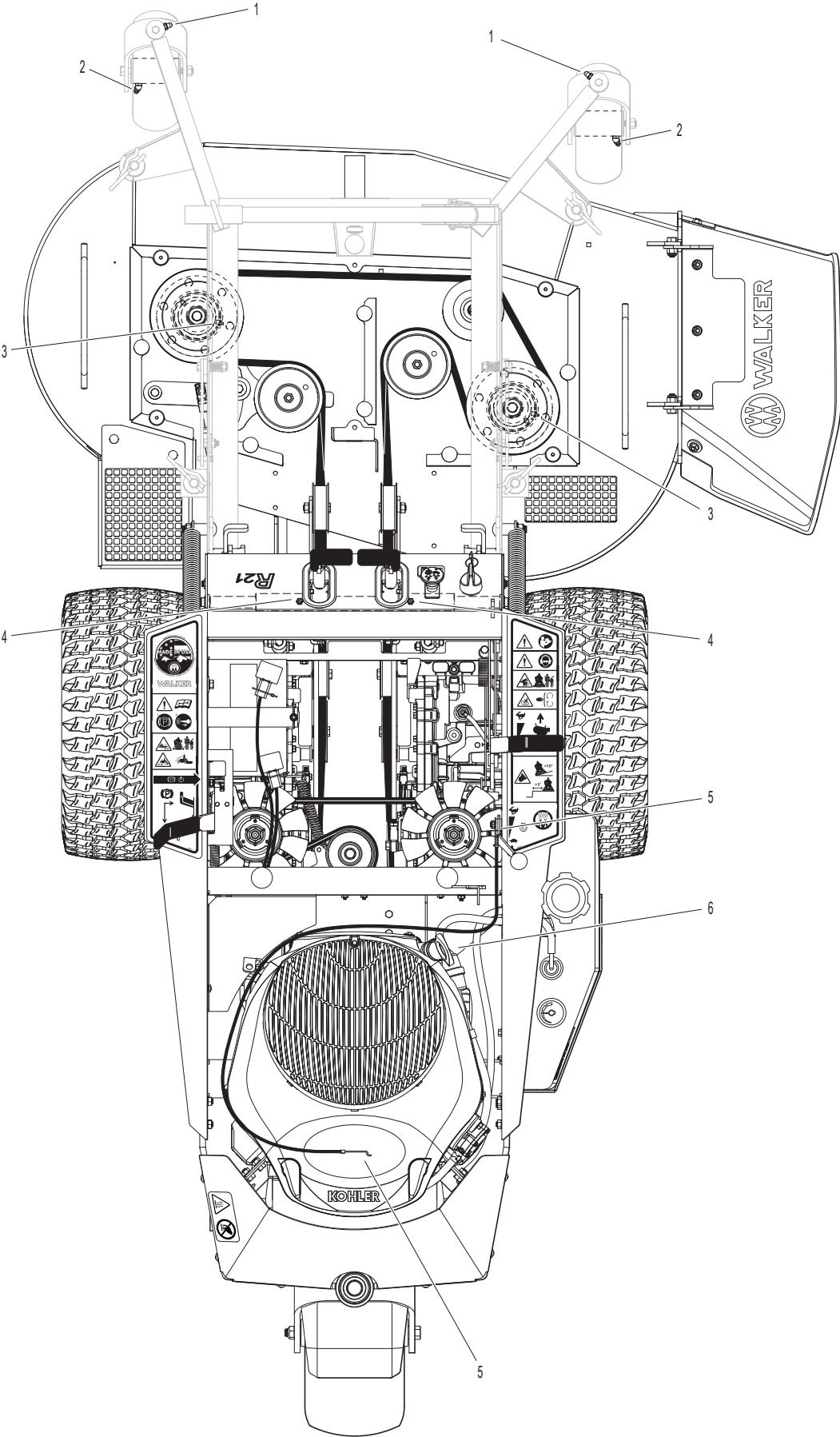
1	Deck Caster Wheel Fork Pivot	Grease	2
2	Deck Caster Wheel Bearing	Grease	2
3	Blade Spindle	Grease	2
4	Steering Lever Pivot	Grease	2
5	Throttle Control Cable Ends	Oil	2
6	Engine Dipstick / Oil Fill	Oil*	1

ITEM NO.	PART NO.	DESCRIPTION	NO. REQ'D
----------	----------	-------------	-----------

\* Refer to R21 **Operator's Manual** for procedure for checking and changing oil in Engine Crankcase.

**NOTE:** See Model R21 **Operator's Manual** (P/N 1000-3) for proper lubrication intervals.

# LUBRICATION POINTS



Beginning S/N 160824  
Use only genuine Walker® replacement parts.

# WIRING SCHEMATIC

## WALKER MODEL R21 Beginning S/N 158429

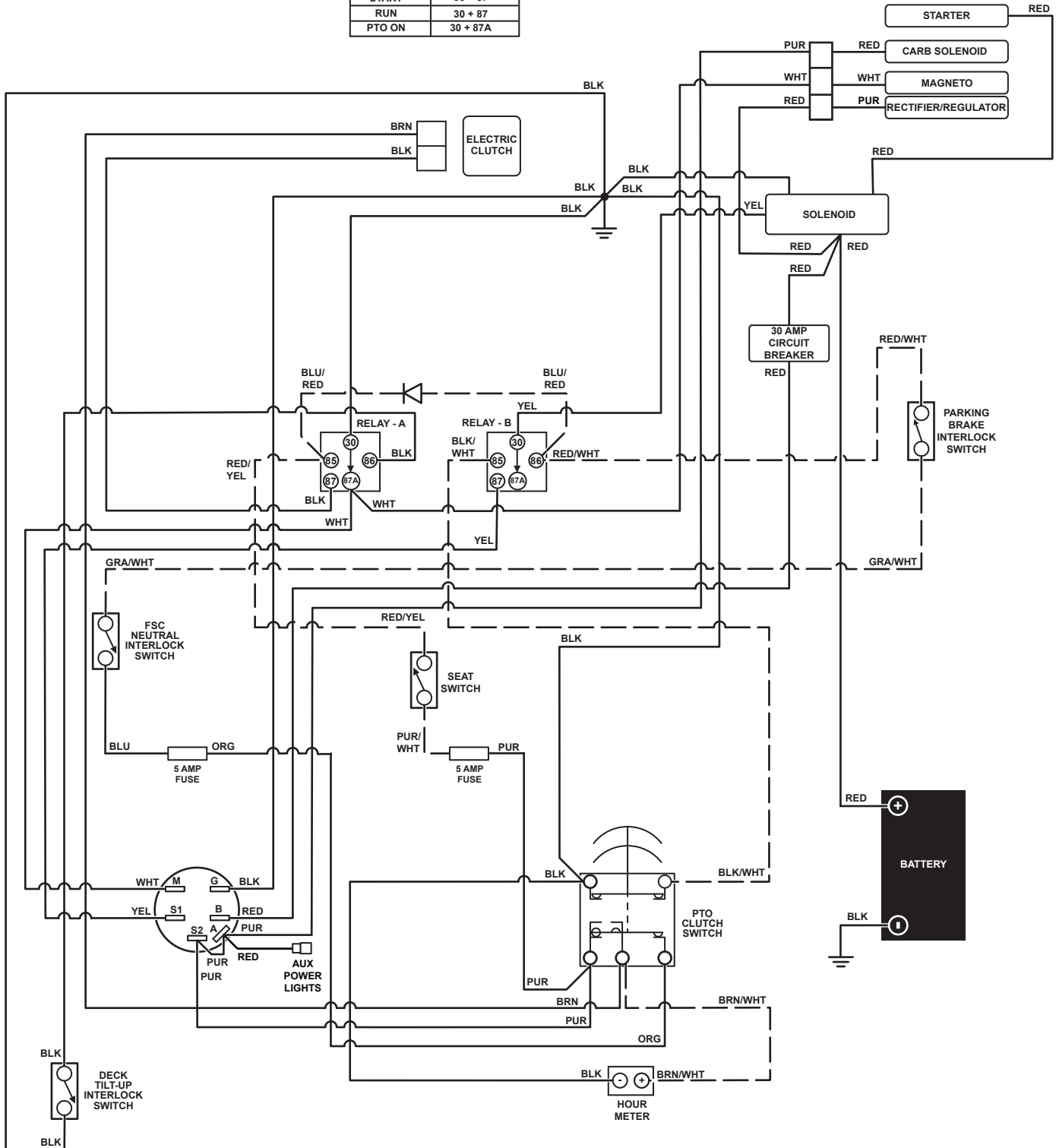
RELAY - A	
IGNITION RELAY	
OFF	30 + 87A
START	30 + 87
RUN	30 + 87
PTO ON	30 + 87A

PTO CLUTCH SWITCH	
OFF-PUSH	PUR + ORG
ON-PULL	PUR+BRN+BRN/WHT

RELAY - B	
START RELAY	
OFF	30 + 87A
START	30 + 87
RUN	30 + 87
PTO ON	30 + 87A

IGNITION SWITCH CIRCUITS	
OFF	G + M
START	B + A / S1 + S2
RUN	B + A

S1 = START CIRCUIT  
 S2 = START/ACCESSORY CIRCUIT  
 M = MAGNETO GROUND CIRCUIT  
 B = BATTERY CIRCUIT  
 A = ACCESSORY CIRCUIT  
 G = GROUND CIRCUIT









## **LIMITED WARRANTY FOR WALKER MODEL R21 RIDER MOWERS**

### **1. WHAT THIS WARRANTY COVERS, AND FOR HOW LONG:**

Walker Manufacturing company will, at its option, repair or replace, without charge, any part covered by this warranty which is found to be defective in material and/or workmanship within three (3) years or 300 hours after date of sale to the original retail purchaser. At Walker's request, customer will make the defective part available for inspection by Walker and/or return the defective part to Walker, transportation charges prepaid. All parts and components of the Walker Mower are covered by this warranty **except** the following components which are warranted separately by their respective manufacturers:

Kohler Engine  
Battery

The available warranties covering these items are furnished with each mower. Walker does not assume any warranty obligation, liability or modification for these items, which are covered exclusively by the stated warranty of the respective manufacturers noted above.

### **2. WHAT THIS WARRANTY DOES NOT COVER:**

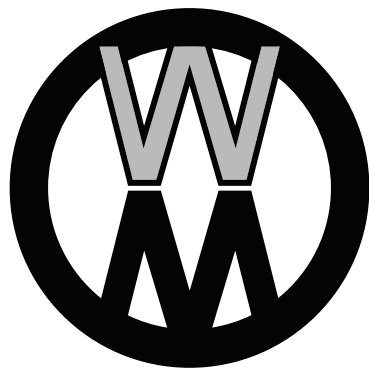
- A. This warranty does not cover defects caused by depreciation or damage caused by normal wear, accidents, improper maintenance, improper use or abuse of the product, alterations, or failure to follow the instructions contained in the Operator's Manual for operation and maintenance.
- B. The customer shall pay any charges for making service calls and/or for transporting the mower to and from the place where the inspection and/or warranty work is performed.

### **3. HOW TO OBTAIN SERVICE UNDER THIS WARRANTY:**

Warranty service can be arranged by contacting the dealer where you purchased the mower or by contacting Walker Manufacturing Company, 5925 East Harmony Road, Ft. Collins, CO 80528. Proof of the date of purchase may be required to verify warranty coverage.

### **4. WARRANTY LIMITATION:**

- A. **THERE IS NO OTHER EXPRESS WARRANTY. ANY WARRANTY THAT MAY BE IMPLIED FROM THIS PURCHASE INCLUDING MERCHANTABILITY AND FITNESS FOR A PARTICULAR PURPOSE IS HEREBY LIMITED TO THE DURATION OF THIS WARRANTY AND TO THE EXTENT PERMITTED BY LAW ANY AND ALL IMPLIED WARRANTIES ARE EXCLUDED.** Some states do not allow limitations on how long an implied warranty lasts, so the above limitations may not apply to you.
- B. **WALKER WILL NOT BE LIABLE FOR ANY INCIDENTAL, CONSEQUENTIAL, OR SPECIAL DAMAGES AND/OR EXPENSES IN CONNECTION WITH THE PURCHASE OR USE OF THE MOWER.** Some states do not allow the exclusion or limitation of incidental or consequential damages, so the above limitation(s) or exclusion(s) may not apply to you.
- C. Only the warranty expressed in this limited warranty shall apply and no dealer, distributor, or individual is authorized to amend, modify, or extend this warranty in any way. Accordingly, additional statements such as dealer advertising or presentations, whether oral or written, do not constitute warranties by Walker, and should not be relied upon.
- D. This warranty gives you specific legal rights, and you may also have other rights which vary from state to state.



**WALKER**

**WALKER MFG. CO. • 5925 E. HARMONY ROAD, FORT COLLINS, CO 80528 • (970) 221-5614**  
**FORM NO. 111620      PRINTED IN USA      [www.walker.com](http://www.walker.com)      ©2020 WALKER MFG. CO**